



PNEUMAX



PROCESS AUTOMATION TECHNOLOGY

CATALOGUE



Process automation technology Catalogue

Stainless steel and aluminum
components and systems:
valves and solenoid valves, components for
air treatment and accessories
for applications in the process industry



Pneumax

Smart Technologies and Human Competence

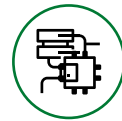
Founded in 1976, **Pneumax S.p.A.** is today one of the leading, international manufacturers of components and systems for automation. It is at the fore front of a group comprised of **27 companies**, with **over 800 employees worldwide**.

Ongoing investment in research and development has allowed **Pneumax** to continually expand its range of standard products and customised solutions, adding to the well-established pneumatic technology, a range of electric drive actuators and fluid control components.

The desire to provide the service and specific application skills has led to the creation of 3 business units, dedicated to Industrial Automation, Process Automation and Automotive sector.



Pneumatic
technology



Electric
actuation



Fluid
control



INDUSTRIAL AUTOMATION

PROCESS
AUTOMATION
TECHNOLOGY



AUTOMOTIVE



The ability to provide various technologies and solutions for each of our clients applications is the main objective of the Company, making Pneumax the ideal strategic partner.

What defines us is the "**Pneumax Business Attitude**", born out of the capacity to combine industry sectors, technology and our application skills via the clients collaboration with our business and product specialists. The most effective solutions are studied around the TCO (Total cost of ownership) related to the entire life cycle of the product.

This represents the main Pneumax distinguishing factor.



Process automation technology

A wide range of standard components
and customized solutions

Pneumax S.p.A. offers a wide range of engineered solutions and components for the process automation industry. These have been designed to meet the latest industry standards and customer specifications. Long term performance and reliability are never compromised at Pneumax, a trustworthy partner to achieve full customer satisfaction for severe service and harsh environmental applications.

Pneumax products are designed and engineered in compliance with the latest international standards, following sophisticated and reliable prototyping as well as rigorous testing procedures to provide efficient and cost effective solutions. The combination of the latest technology and manufacturing experience allow Pneumax to add more products to their extensive portfolio with a wide range of components and services.



STANDARD PRODUCTS

Stainless steel and aluminium components

CUSTOMISED SOLUTIONS

Manifold and integrated systems





Application sectors

- Petrochemical
- Oil & gas
- Power generation
- Water treatment








Index

Process automation technology




Series Airplus - aluminium

9

	Filter	10		Filter regulator	15
	Regulator	21			

Series 1700 Steel line

27

	Filter	29		Regulator	33
	Filter regulator	37			


Series Flowplus

44

	Volume booster	45		Volume filter booster	51
------------------------------------------------------------------------------------	----------------	----	------------------------------------------------------------------------------------	-----------------------	----



Valves 1/4" NPT series Steel line

57

	Valves 3/2, 1/4" NPT	58		Valves 5/2 - 5/3, 1/4" NPT	63
---------------------------------------------------------------------------------------------	----------------------	----	---------------------------------------------------------------------------------------------	----------------------------	----

Solenoid valves 1/4" NPT series Steel line

68

	Solenoid valves 3/2, 1/4" NPT	69		Solenoid valves 5/2, 1/4" NPT	70
---------------------------------------------------------------------------------------------	-------------------------------	----	---------------------------------------------------------------------------------------------	-------------------------------	----

Solenoid valves 1/4" NPT series Steel line - For safe area with IP66 stainless steel housing

71

	Solenoid valves 3/2 - 5/2, 1/4" NPT	72
---------------------------------------------------------------------------------------------	-------------------------------------	----

Solenoid valves 1/4" NPT series Steel line - IP66 Exd Explosion protection

76

	Solenoid valves 3/2 - 5/2, 1/4" NPT	77
---------------------------------------------------------------------------------------------	-------------------------------------	----

Solenoid valves 1/4" NPT series Steel line - Intrinsically safe Exia

81

	Solenoid valves 3/2 - 5/2, 1/4" NPT	82
---------------------------------------------------------------------------------------------	-------------------------------------	----

Solenoid valves 1/4" NPT series Steel line - Intrinsically safe Exia with IP66 stainless steel housing 86

	Solenoid valves 3/2 - 5/2, 1/4" NPT	87
---------------------------------------------------------------------------------------------	-------------------------------------	----

Accessories for serial Steel line valves

91

Valves 1/2" NPT series Steel line

94



Valves 3/2, 1/2" NPT 95



Valves 5/2 - 5/3, 1/2" NPT 98

Solenoid valves 1/2" NPT series Steel line - For safe area with IP66 stainless steel housing

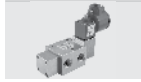
100



Solenoid valves 3/2 - 5/2, 1/2" NPT 98

Solenoid valves 1/2" NPT series Steel line - IP66 Exd Explosion protection

104



Solenoid valves 3/2 - 5/2, 1/2" NPT 105

Solenoid valves 1/2" NPT series Steel line - Intrinsically safe Exia

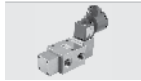
108



Solenoid valves 3/2 - 5/2, 1/4" NPT 109

Solenoid valves 1/2" NPT series Steel line - Intrinsically safe Exia with IP66 stainless steel housing

112



Solenoid valves 3/2 - 5/2, 1/4" NPT 113

Valves 3/4" NPT series Steel line

116



Valves 3/2 - 5/2, 3/4" NPT 117

Valves 1" NPT series Steel line

119



Valves 3/2 - 5/2, 1" NPT 120

Accessories for series Steel line valves

122

Series SA - aluminium

130



Pneumatic actuated valves
3/2 - 5/2, 1/4" NPT 131



Valves 3/2 - 5/2, 1/4" NPT
push button version 133



Pneumatic actuated valves
3/2 - 5/2, 1/2" NPT and 1" NPT 136

Accessories for series SA valves - aluminium

140

Valves poppet system 1/2" ... 1" 1/2 NPT series SA - aluminium

143 - 145



Valves 3/2, 1/2" NPT - 3/4" NPT -
1" NPT and 1" 1/2 NPT 144

Valves and solenoid valves with "Namu" interface series 514 - 515 High Performance

147 - 157



Valves and solenoid valves
series 514 G1/4" - 1/4" NPT 147



Valves and solenoid valves
series 515 G1/4" - 1/4" NPT 153



Solenoid coils and accessories
series 514 - 515 158

Series Airplus - aluminium



- **Modular system**
- **Compact and linear design**
- **Maximum flexibility and reliability**
- **Plug-n-play connection thru couplig flanges**
- **Available in 3 sizes with connections from 1/4" to 1"**
- **ATEX certification (II 2GD)**

Construction and working characteristics

Pneumax AIRPLUS air treatment units have been designed and developed to increase reliability, modularity and user-friendly operation and installation.

This range of filters, regulators and filter regulators are constructed using a light weight aluminum body which ensures strength whilst at the same time making them suitable for a wide range of applications in temperatures from -40 to +80°C.

The filters operated in pressures up to 12 bar with filtration available from 5 to 50 microns.

Pneumax Airplus air treatment units can be integrated with safety elements that comply with EN-ISO 13849-1 and CE marking according to EU Machinery Directive, Annex V.

AIRPLUS air treatment units are available in 3 different sizes, with connections from 1/4 "to 1" BSP and NPT and flow rates performances up to 8000NI/min.

Instruction for installation and operation

The FRL unit should be installed as close as possible to the 'point of use'. The air flow direction should follow the direction indicated on the individual modules, following threaded connections (IN and OUT). Units fitted with a with bowl should be mounted vertically with the bowl facing down.

All units should be operated in accordance to the specified pressure and temperature ranges and should never exceed 0.2 Hz max frequency whether pulsing inlet pressure occur.

Fittings shall be mounted according to the maximum torque specified.

Maintenance

To carry out maintenance which involves the removal of the caps or supports above the body and where the retaining screws are present, it is necessary to remove the cover plates beforehand. If you attempt to dis-assemble the caps or supports without removing the cover plates and retaining screws, the integrity and function of the device could be compromised.

Bowls, plugs and supports are assembled with a bayonet type mechanism. In order to remove them, rotate anti-clockwise until the mechanical stop is reached and then remove from the body (for the bowls firstly press down the green safety button).

Bowls and transparent parts can be cleaned with water and neutral soap. Do not use solvents or alcohol.

Filtering elements (present in filters and filter regulators) made of HDPE can be regenerated by washing and blowing them.

In order to remove them it is necessary to remove the bowl unscrew the filter element and replace it with a new one or clean it.

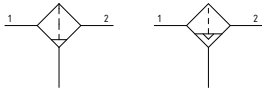
Lubricator oil recharge might be performed during normal operation (apart Size 1) depressurizing the bowl thru dedicated plug.

Pneumax suggest refilling oil directly into the bowl.

No others maintenance operation shall be carried out by client itself, due to complexity of the assembly and Pneumax dedicated post-maintenance testing activities.



Filters (F)



- ▶ Double filter action: air flow centrifugation and filter element
- ▶ Available in 3 sizes with flow rates up to 14000 NI/min and connections from 1/4" to 1"
- ▶ Filtering cartridge made of HDPE available in three different filtration grades (5µm, 20µm, 50µm)
- ▶ Filter cartridge can be regenerated by washing / blowing it or replaced
- ▶ Bowl assembly via bayonet type quick coupling mechanism with safety button
- ▶ Semi-automatic, automatic or manual metal drain
- ▶ Atex certification (II 2GD)
- ▶ Inlet pressures up to 20 bar

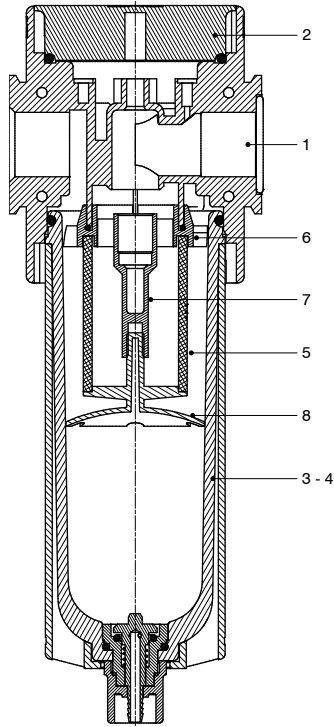
Note
In order to ensure that any fluid discharged by the auto drain assembly is adequately drained away, it is recommended you use a 6mm fitting and tube.

Size		Size 2	Size 3	Size 4
Technical characteristics				
Body and connections type		Aluminium body, integrated aluminium connections		
Protection and bowl type		Metal protection - PC bowl Metal protection - PA bowl Metal bowl (blind metal bowl)		
IN / OUT connections	P and L version	G3/8" - 1/4" NPT	G1/2" - 1/2" NPT	G1" - 1" NPT
Assembly configuration		Stand alone		Panel mounted
Assembly positions		Vertical ±5°		
Filter pore size		5 µm 20 µm 50 µm		
Bowl capacity		34 cm³	68 cm³	90 cm³
Condensation drain		Semi-automatic Automatic Manual metal		
Max. fittings torque IN / OUT connections		G1/4" metal: 20Nm G3/8" metal: 25Nm	G3/8" metal: 25Nm G1/2" metal: 30Nm	G1" metal: 35Nm

Operational characteristics						
Size	Size 2	Size 3	Size 4	Size 2	Size 3	Size 4
Condensation drain	Semi-automatic / Manual metal			Automatic		
Maximum working pressure	20 bar (only with body and metal bowl)			16 bar (only with body and metal bowl)		
Minimum working pressure	0,5 bar			0,5 bar		
Working temperature	-5°C ... +50°C (technopolymer bowl) -30°C ... +80°C (only for P version and metal bowl) -40°C ... +80°C (only for L version and metal bowl)			-5°C ... +50°C		

Weights			
Size	Size 2	Size 3	Size 4
Aluminium body version, aluminium bowl protection and technopolymer bowl	344 g	514 g	1306 g
Aluminium body version and aluminium bowl	389 g	587 g	1330 g

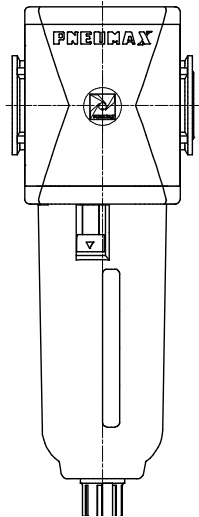
Materials



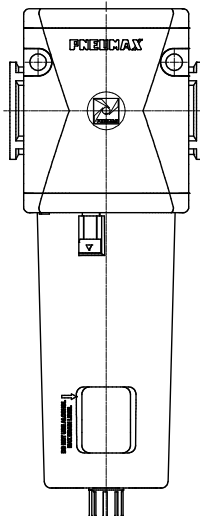
Filter		
1	Body	Polyamide Die-cast aluminium
2	Upper plug	Polyamide
3	Technopolymer bowl	Polycarbonate Polyamide
4	Metal bowl Bowl protection	Die-cast aluminium Die-cast aluminium
5	Filtering element	Polyethylene
6	Baffle	Acetal resin
7	Spool support	Acetal resin
8	Filtering element support	Acetal resin

Design

Size 2 - Size 3
Protection / Metal bowl



Size 4
All versions





Order codes

PROCESS AUTOMATION TECHNOLOGY

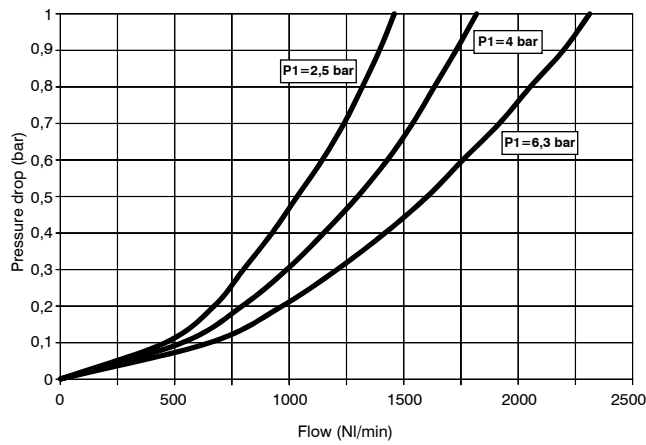
		P	17	3B	F	B	S	T
Version								
P	Aluminum body							
L	Aluminum body, low temperature							
Size and connections								
2B	Size 2 - G3/8"							
2C	Size 2 - 1/4" NPT							
3B	Size 3 - G1/2"							
3C	Size 3 - 1/2" NPT							
4B	Size 4 - G1"							
4C	Size 4 - 1" NPT							
Filter pore size								
A	5 µm							
B	20 µm							
C	50 µm							
Condensation drain								
	Semi-automatic drain							
M	Manual metal drain							
S	Automatic drain							
Bowl options								
P	Metal protection - PC bowl							
R	Metal protection - PA bowl							
T	Metal bowl							

Example : P173BFBST : Size 3 filter G1/2" 20 µm, automatic drain and metal bowl

Flow charts

Flow rate chart

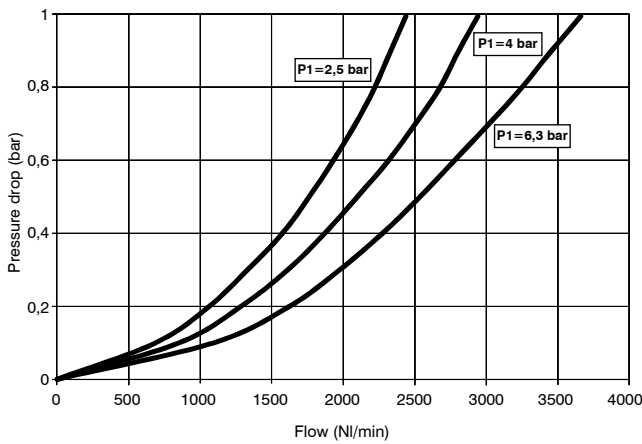
Size 2



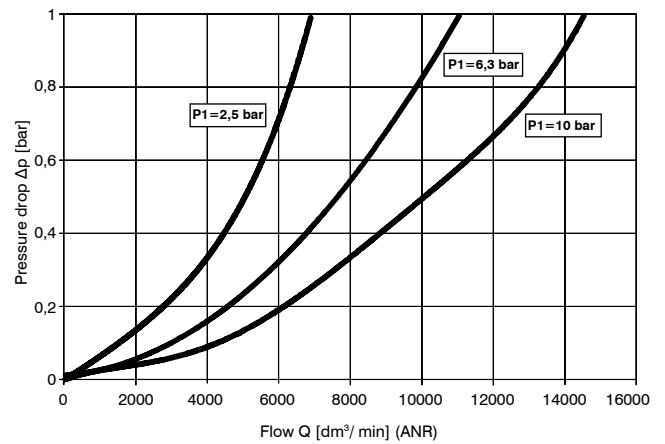
Flow rate chart

Size 3

Size 4

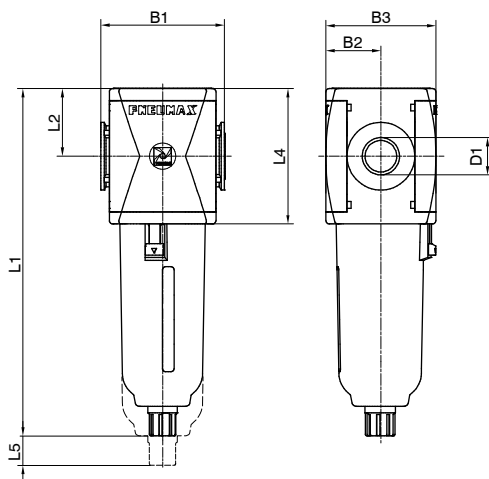


Flow rate chart

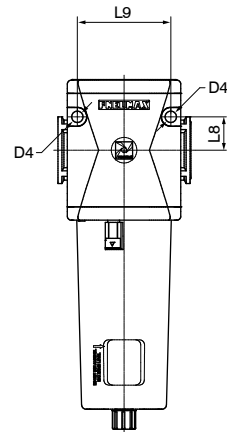


Dimensions

Semi-automatic drain version



Fixing holes dimension detail (only for size 4)

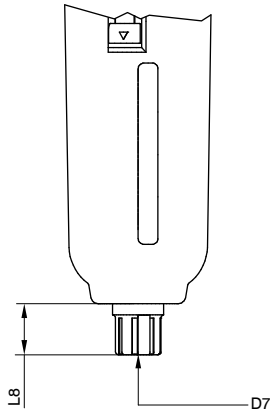


Model	B1	B2	B3	D1	D4	L1 - Bowl material		L2	L4	L5	L8	L9
						Technopolymer	Metal					
#172..	62	28,5	57	G3/8" 1/4" NPT	/	169,5 - 164,5*	171,5 - 166,5*	34	68	50	/	/
#173..	73	32,5	65	G1/2" 1/2" NPT	/	207,5 - 202,5*	209,5 - 204,5*	40	80	65	/	/
#174..	99	44	88	G1" 1" NPT	8,5	262 - 257,5*	264,5 - 259,5*	52,5	105	103	25	70

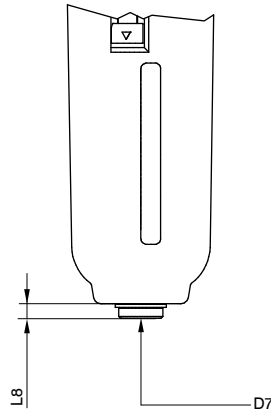
* = With manual metal drain

Variable dimensions

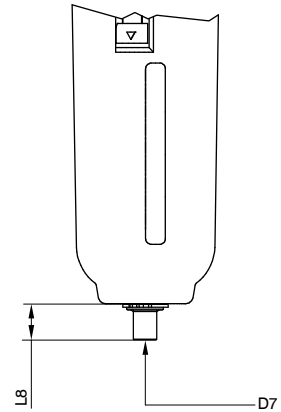
Semi-automatic drain version



Automatic drain version



Manual metal drain version



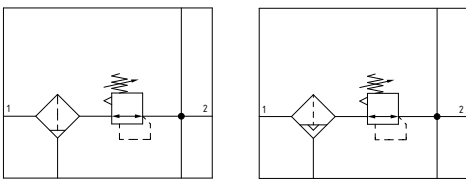
PROCESS AUTOMATION TECHNOLOGY

Model	L8 - Bowl material		D7
	Technopolymer	Metal	
Semi-automatic drain	16	18	Plastic hose connector
Automatic drain	2	4,5	G1/8"
Manual metal drain	11	13	○ 5

► Filter regulators (E)



- ▶ Filter - diaphragm pressure regulator with relieving
- ▶ Available in 3 sizes with flow rates up to 8000 NI/min and connections from 1/4" to 1"
- ▶ Low hysteresis rolling diaphragm and balanced spool
- ▶ Filtering element made of HDPE available in 3 different filtration grades (5µm, 20µm and 50µm)
- ▶ Bowl assembly via bayonet type quick coupling mechanism with safety button
- ▶ Semi-automatic, automatic or manual metal drain
- ▶ Available in four pressure ranges up to 12 bar
- ▶ Fitted with panel mounting locking ring
- ▶ Atex certification (II 2GD)
- ▶ Inlet pressures up to 20 bar



Note

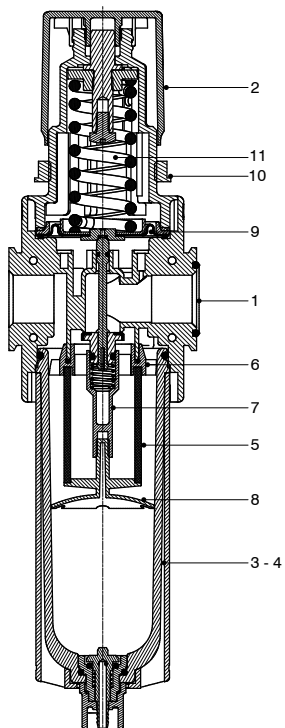
For installations where a more accurate and constant pressure is required, the unit should be installed as close as possible to the point of use. In order to ensure that any fluid discharged by the auto drain assembly is adequately drained away, it is recommended you use a 6mm fitting and tube.

Technical characteristics				
Size		Size 2	Size 3	Size 4
Body and connections type		Aluminium body, integrated aluminium connections		
Protection and bowl type		Metal protection - PC bowl Metal protection - PA bowl Metal bowl (blind metal bowl)		
IN / OUT connections	P and L version	G3/8" - 1/4" NPT	G1/2" - 1/2" NPT	G1" - 1" NPT
Assembly configuration		Stand alone Panel mounting With fixing bracket		Panel mounted
Assembly positions		Vertical ±5°		
Filter pore size		5 µm 20 µm 50 µm		
Pressure range		0-2 bar 0-4 bar 0-8 bar 0-12 bar		
Bowl capacity		34 cm ³	68 cm ³	90 cm ³
Condensation drain		Semi-automatic Automatic Manual metal		
Regulation		Manual push and lock with pressure Manual lockable with accessories		
Pressure measurement		G1/8" - 1/8" NPT pressure gauge connection port (only for versions with IN / OUT NPT connections)		
Max. fittings torque IN / OUT connections		G3/8" metal: 25Nm	G1/2" metal: 30Nm	G1" metal: 35Nm
Max fitting torque pressure gauge connection port		G1/8" metal: 15Nm		

Operational characteristics						
Size	Size 2	Size 3	Size 4	Size 2	Size 3	Size 4
Condensation drain	Semi-automatic / Manual metal			Automatic		
Maximum working pressure	20 bar (only with body and metal bowl)			16 bar (only with body and metal bowl)		
Minimum working pressure	0,5 bar			0,5 bar		
Working temperature	-5°C ... +50°C (technopolymer bowl) -30°C ... +80°C (only for P version and metal bowl) -40°C ... +80°C (only for L version and metal bowl)			-5°C ... +50°C		

Weights			
Size	Size 2	Size 3	Size 4
Aluminium body version, aluminium bowl protection and technopolymer bowl	510 g	730 g	1600 g
Aluminium body version and aluminium bowl	560 g	790 g	1620 g

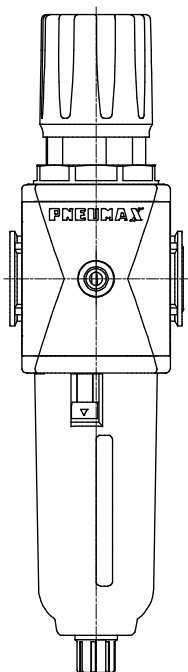
Materials



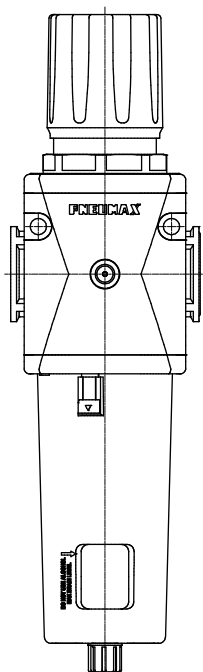
Filter regulator		
1	Body	Die-cast aluminium
2	Adjusting knob	Polyamide
3	Technopolymer bowl	Polycarbonate Polyamide
4	Metal bowl Bowl protection	Die-cast aluminium Die-cast aluminium
5	Filtering element	Polyethylene
6	Baffle	Acetal resin
7	Spool support	Acetal resin
8	Filtering element support	Acetal resin
9	Diaphragm	NBR
10	Panel mounting locking ring	Polyamide
11	Adjusting spring	Steel

Design

Size 2 - Size 3
Protection / Metal bowl



Size 4
All versions



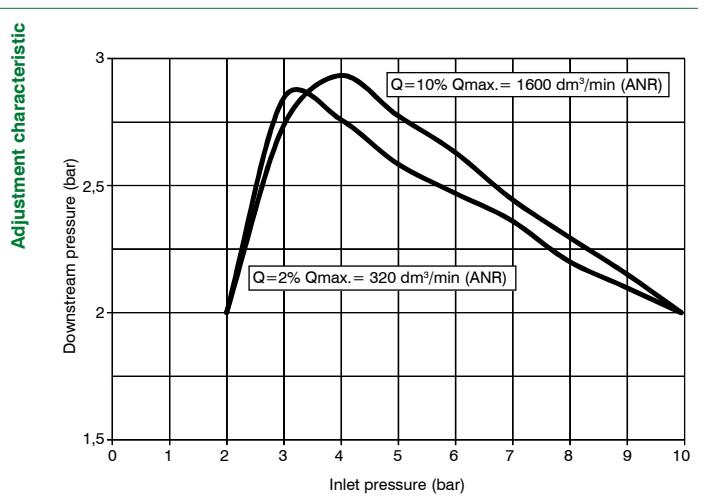
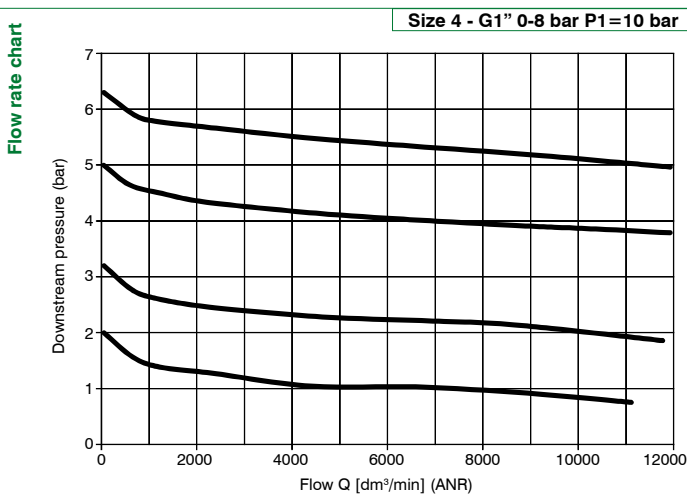
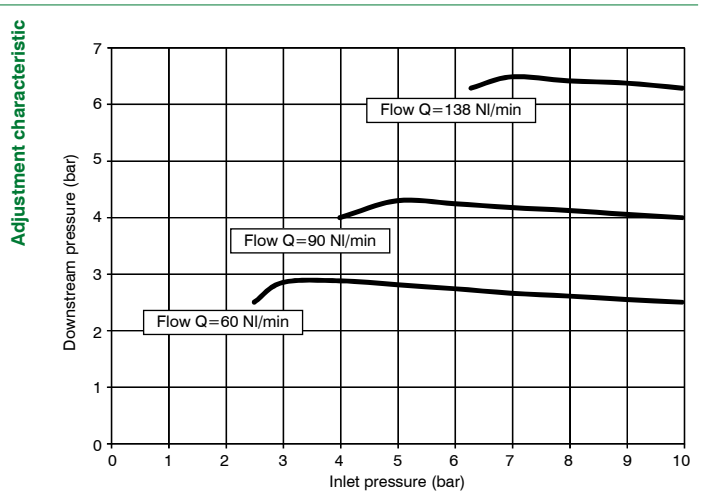
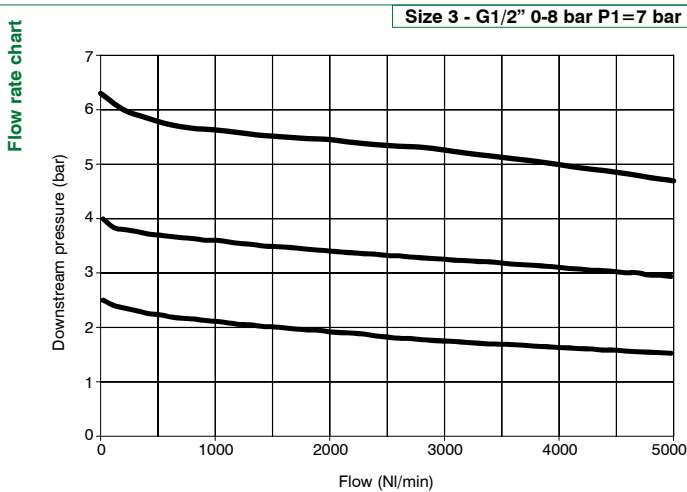
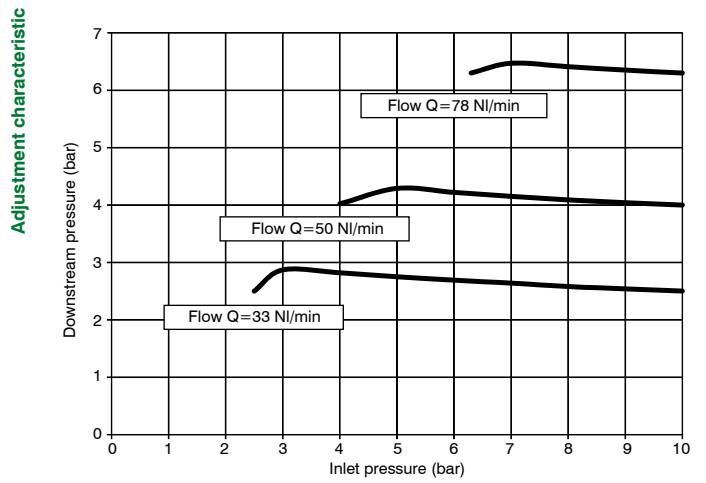
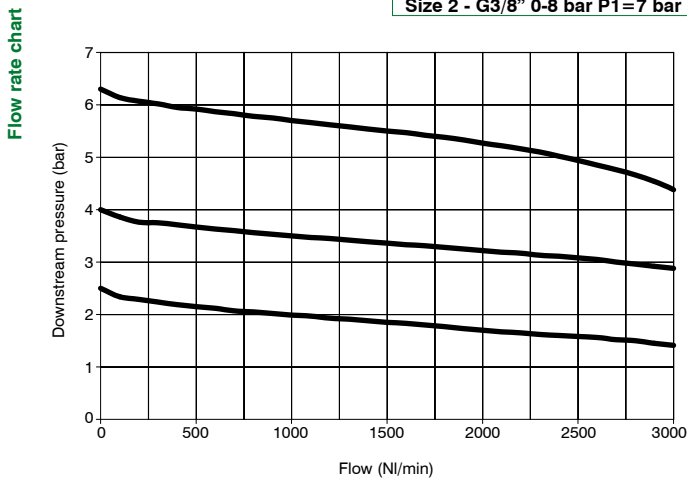


Order codes

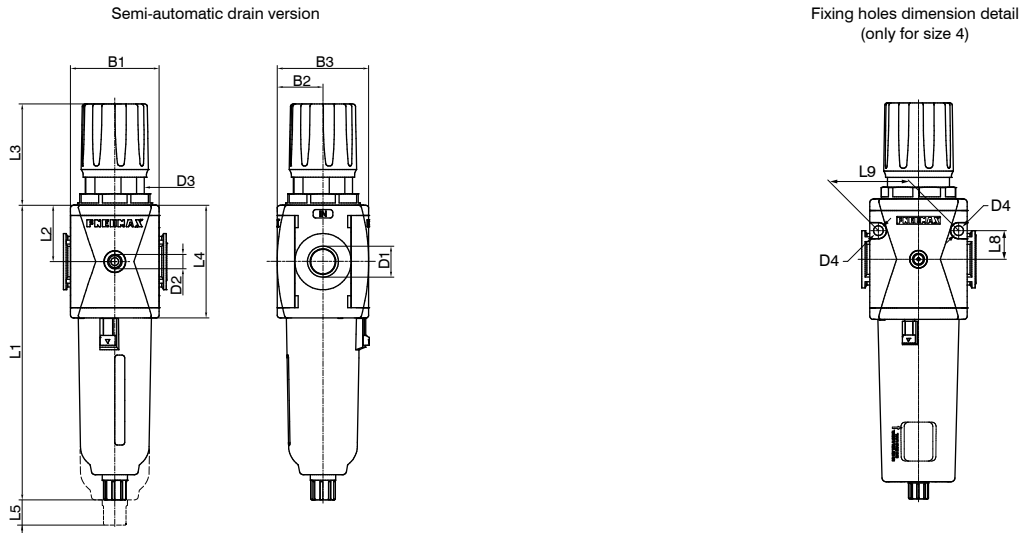
		P	17	3B	E	B	D	S			T
Version											
P	Aluminum body										
L	Aluminum body, low temperature										
Size and connections											
2B	Size 2 - G3/8"										
2C	Size 2 - 1/4" NPT										
3B	Size 3 - G1/2"										
3C	Size 3 - 1/2" NPT										
4B	Size 4 - G1"										
4C	Size 4 - 1" NPT										
Filter pore size											
A	5 µm										
B	20 µm										
C	50 µm										
Pressure range											
A	0 - 2 bar										
B	0 - 4 bar										
C	0 - 8 bar										
D	0 - 12 bar										
Condensation drain											
	Semi-automatic drain										
M	Manual metal drain										
S	Automatic drain										
Relieving options											
	With relieving										
L	Without relieving										
Knob options											
	Non-lockable version										
K	Lockable version										
U	Lockable version with universal key										
Bowl options											
P	Metal protection - PC bowl										
R	Metal protection - PA bowl										
T	Metal bowl										

Example : P173BEBDST : Size 3 filter regulator G1/2" 20 µm 0 - 12 bar, automatic drain and metal bowl

Flow charts



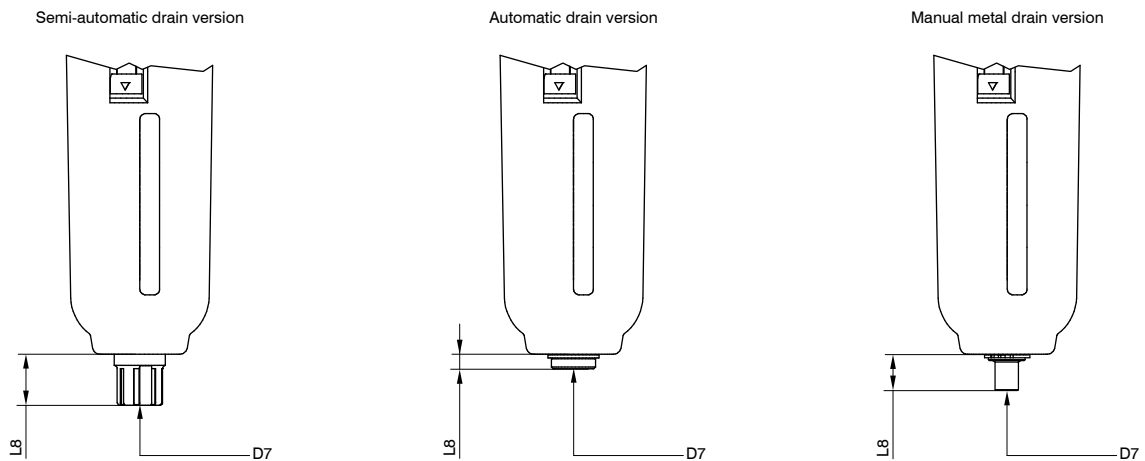
Dimensions



Model	B1	B2	B3	D1	D2	D3	D4	L1 - Bowl material		L2	L3	L4	L5	L8	L9
								Technopolymer	Metal						
#172..	62	28,5	57	G3/8" 1/4" NPT	G1/8" 1/8" NPT	M42x1,5	/	169,5 - 164,5*	171,5 - 166,5*	34	71,8	68	50	/	/
#173..	73	32,5	65	G1/2" 1/2" NPT	G1/8" 1/8" NPT	M42x1,5	/	207,5 - 202,5*	209,5 - 204,5*	40	72,8	80	65	/	/
#174..	99	44	88	G1" 1" NPT	G1/8" 1/8" NPT	M54x1,5	8,5	262 - 257,5*	264,5 - 259,5*	52,5	87,5	105	103	25	70

* = With manual metal drain

Variable dimensions

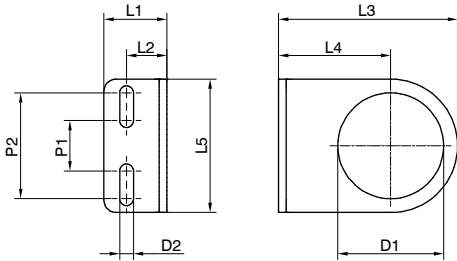


Model	L8 - Bowl material		D7
	Technopolymer	Metal	
Semi-automatic drain	16	18	Plastic hose connector
Automatic drain	2	4,5	G1/8"
Manual metal drain	11	13	∅ 5

► Fixing bracket

T172 50

Size	
T172	Size 2 - Size 3

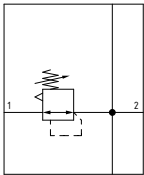


Model	L1	L2	L3	L4	L5	D1	D2	P1	P2
T17250	25	16	71	44,5	53	42	5,5	20	42

► Regulators (R)



- Diaphragm pressure regulator with relieving
- Available in 3 sizes with flow rates up to 8000 NI/min and connections from 1/4" to 1"
- Low hysteresis rolling diaphragm and balanced spool
- Available in four pressure ranges up to 12 bar
- Fitted with panel mounting locking ring
- Atex certification (II 2GD)
- Inlet pressures up to 20 bar



Note

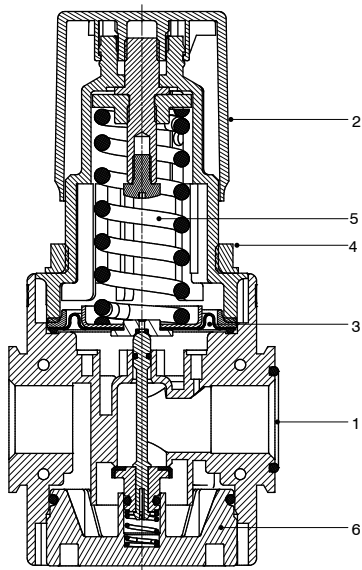
For installations where a more accurate and constant pressure is required, the unit should be installed as close as possible to the point of use.

Technical characteristics					
Size		Size 2	Size 3	Size 4	
Body and connections type		Aluminium body, integrated aluminium connections			
IN / OUT connections	P and L version	G3/8" - 1/4" NPT	G1/2" - 1/2" NPT	G1" - 1" NPT	
Assembly configuration		Stand alone Panel mounting With fixing bracket		Panel mounted	
Assembly positions		Indifferent			
Pressure range		0-2 bar 0-4 bar 0-8 bar 0-12 bar			
Regulation		Manual push and lock with pressure Manual lockable with accessories			
Pressure measurement		G1/8" - 1/8" NPT pressure gauge connection port (only for versions with IN / OUT NPT connections)			
Max. fittings torque IN / OUT connections		G3/8" metal: 25Nm	G1/2" metal: 30Nm	G1" metal: 35Nm	
Max. fitting torque pressure gauge connection port		G1/8" metal: 15Nm			

Operational characteristics				
Size	Size 2	Size 3	Size 4	
Maximum working pressure	20 bar			
Minimum working pressure	0.5 bar			
Working temperature	-30°C ... +80°C (only for P version) -40°C ... +80°C (only for L version)			

Weights				
Size	Size 2	Size 3	Size 4	
Aluminium body version	400 g	560 g	1260 g	

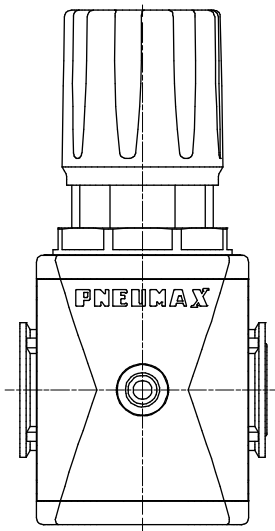
Materials



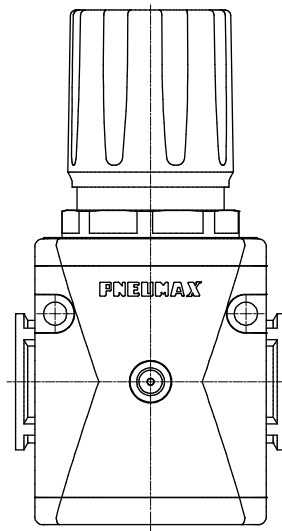
Regulator		
1	Body	Polyamide Die-cast aluminium
2	Adjusting knob	Polyamide
3	Diaphragm	NBR
4	Panel mounting locking ring	Polyamide
5	Adjusting spring	Steel
6	Rear end cap	Polyamide / Die-cast aluminium

Design

Size 2 - Size 3

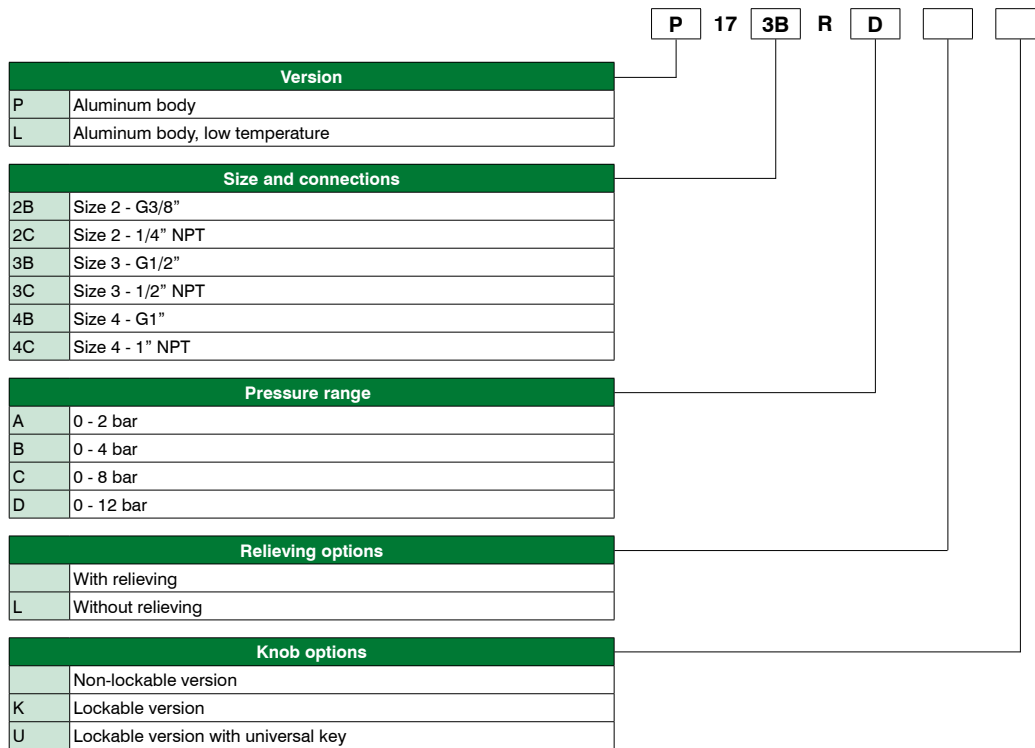


Size 4
All versions



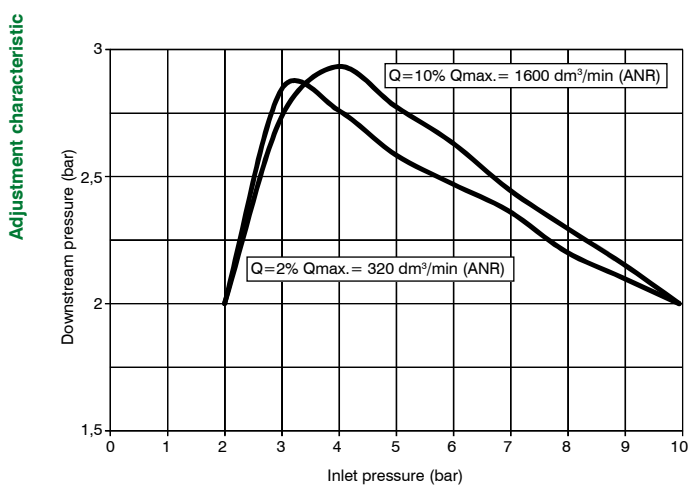
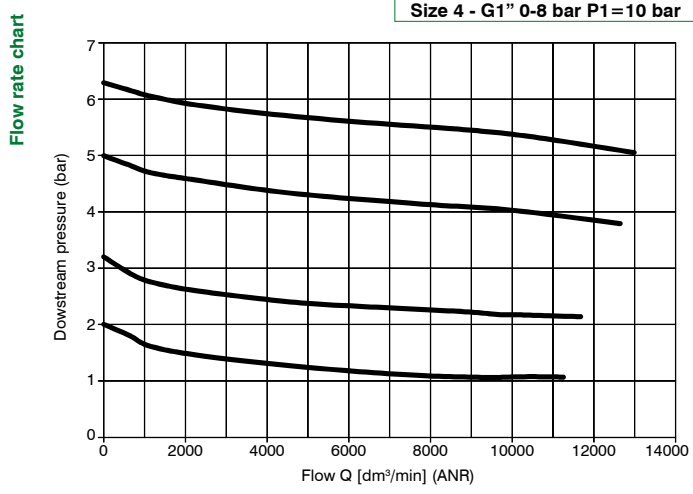
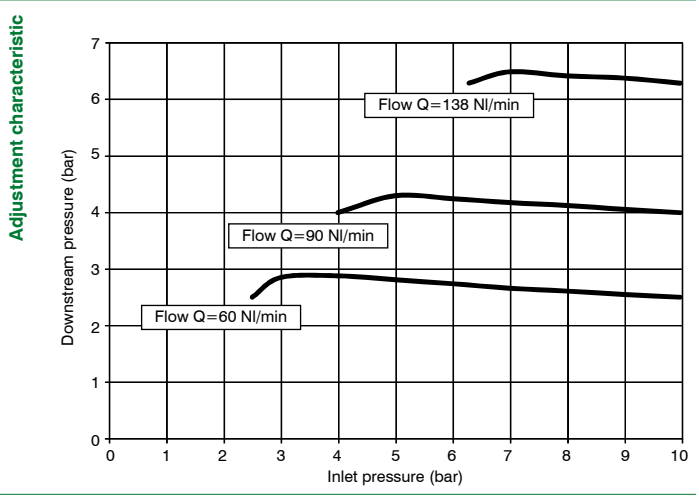
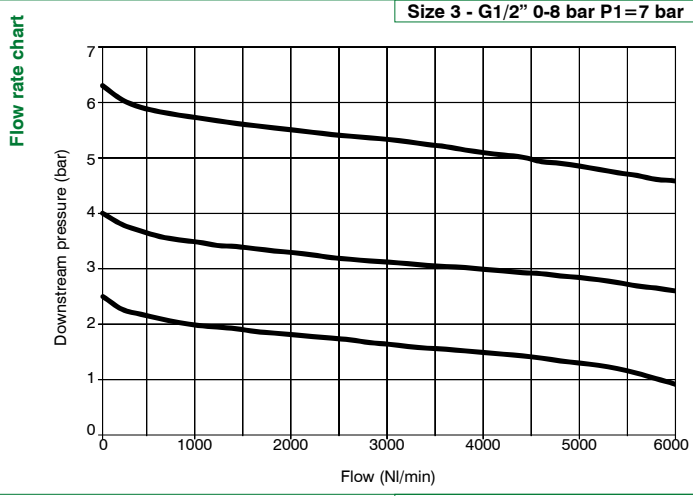
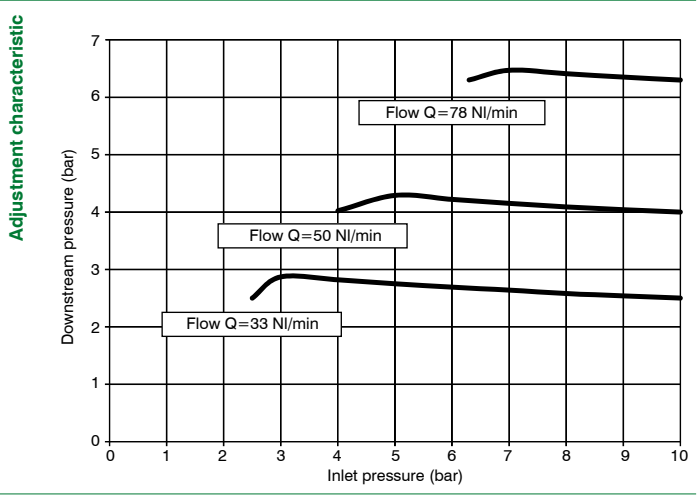
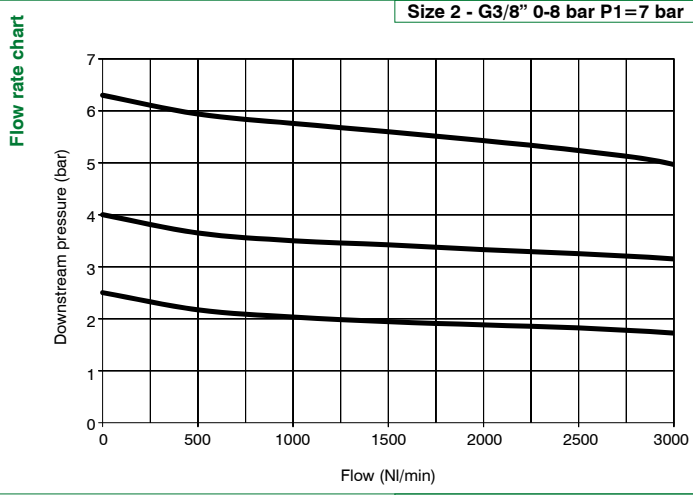


Order codes

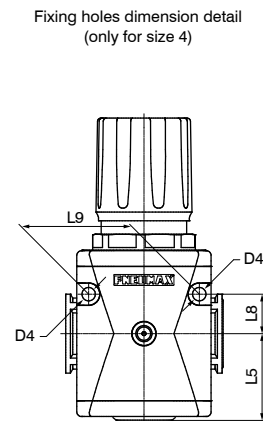
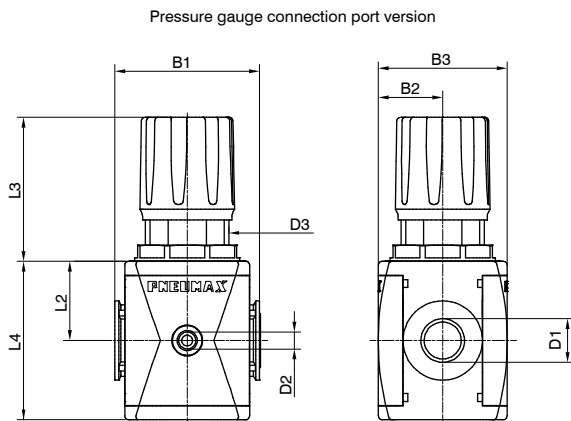


Example : P173BRD : Size 3 regulator G1/2" 0 - 12 bar

Flow charts



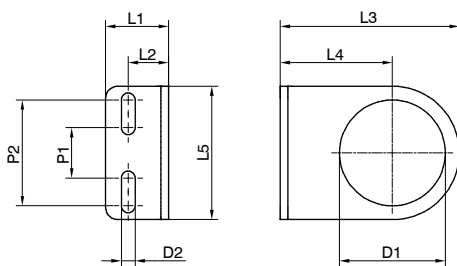
Dimensions



Model	B1	B2	B3	D1	D2	D3	D4	L2	L3	L4	L5	L8	L9
#172..	62	28,5	57	G3/8" 1/4" NPT	G1/8" 1/8" NPT	M42x1,5	/	34	71,8	68	/	/	/
#173..	73	32,5	65	G1/2" 1/2" NPT	G1/8" 1/8" NPT	M42x1,5	/	40	72,8	80	/	/	/
#174..	99	44	88	G1" 1" NPT	G1/8" 1/8" NPT	M54x1,5	8,5	52,5	87,5	105	54,5	25	70

Fixing bracket

Size		T172	50
T172	Size 2 - Size 3		



Model	L1	L2	L3	L4	L5	D1	D2	P1	P2
T17250	25	16	71	44,5	53	42	5,5	20	42

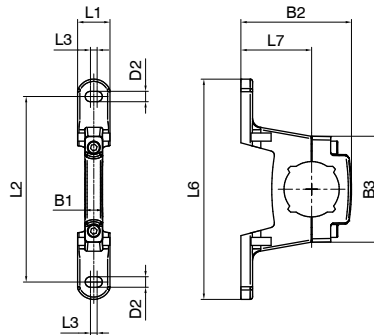
Quick coupling flanges

Pneumax Airplus quick coupling flanges series allow both module rapid fixing and panel mounted configuration. Due to its design, Pneumax connection flanges allow user-friendly maintenance activities with no need of entire manifold disassembling procedure.

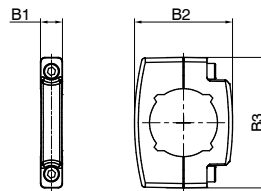
Two types of flange are available: X type flange for assembling the modules together, and Y type flange suitable for panel mounted also. Both types are made of die-cast aluminium.

Aluminium flanges

Flange Y



Flange X



Model	B1	B2	B3	D2	L1	L2	L3	L4	L5	L6	L7
N172Y	9,7	64,6	55,6	Ø5,2	18	95	6,8	/	86,5	117,9	40,5
N172X		55,6		/	/	/	/	96,5	72,5	/	/
N173Y	9,7	75,5	56	Ø5,2	18	110	6,8	/	98,3	133	44,5
N173X		62		/	/	/	/	112,8	85	/	/
N174Y	13,7	106,5	102	Ø8,5	25	148	6,5	/	133,5	175	64
N174X		85		/	/	/	/	153,5	112	/	/

Series 1700 Steel line



- Wide working temperature range
- Available in 3 sizes with connections from 1/4" to 1"
- ATEX certification (II 2G or II 2D), SIL, EAC
- Clean profile versions available

General

The stainless steel SS1700 air treatment series has been engineered and developed to approach specifically the OIL & GAS industry and more widely for all the severe service applications that require excellent corrosion resistance due to chemical and/or harsh environmental condition.

All external and internal parts (except for the automatic drain version) are AISI 316L stainless steel material in compliance with NACE standard MR0175/ISO 15156/1. The product range includes FILTER, with filtration elements up to 3 filtration degree ($5\mu\text{m}$ - $20\mu\text{m}$ - $50\mu\text{m}$), available in AISI316 stainless steel or HDPE (high density polyethylene), and manual or automatic condensed exhaust; The PRESSURE REGULATOR is supplied with low hysteresis rolling diaphragm and an over-pressure exhaust valve (RELIEVING), available in 4 different adjustment ranges from 0 to 12 bar. As a last the FILTER REGULATOR range, which combines the features of a filter and pressure regulator into a one single device. "CLEAN PROFILE" version is available for all the sizes, featuring a glossy finish on the external surface. The over-pressure exhaust hole (RELIEVING) has a 1/8" NPT threading, and it is protected by an AISI 316 sintered filter series. Note: for CLEAN PROFILE series this is a simple unthread hole.

Instructions for installation and use

Product shall be installed reducing the distance from inlet point. Check and install the device following the flow direction (clearly marked with an arrow stamped on the body). Vertical position installation with condensed exhaust tap pointing downward is recommended.

Devices must be used in compliance with pressure and temperature operating range. To set the pressure there is an adjustable knob, located on the top of the device. Pneumax recommend selection of pressure regulator adjusting range option in line with client required performance. The condensed exhaust action for the manual drain version shall be performed only in the absence of pressure. To discharge liquid, turn the tap clockwise until the discharge of liquid is triggered, then tighten it all the way.

Construction and operational characteristics	Size		
	Size 2	Size 3	Size 4
Body, bowl and adjustment mechanism	AISI 316L stainless steel		
Caseback regulator	AISI 316L stainless steel		
Adjustment screw, locking nut and fastening screws	AISI 316L stainless steel (stainless steel A4-70)		
Internal components	AISI 316L stainless steel		
Filtering elements	AISI 316L stainless steel or HDPE (High density polyethylene)		
Springs	AISI 316L stainless steel		
Seals	NBR (standard versions and automatic drain) NBR for low temperatures (L versions) FPM - HNBR (H versions) EPDM-FDA (EF versions) Silicone - PU (Z version)		
Automatic drain	Brass, stainless steel AISI 304 and AISI 302, sintered bronze Acetal resin, NBR, FPM		

Operating range	Size		
	Size 2	Size 3	Size 4
Fluid	Filtered air. No lubrication needed, if applied it shall be continuous Inert gases Natural gases		
Working temperature (°C)	-30 ... +80 (standard version) -50 ... +80 (low temperature L version) -60 ... +80 (low temperature version -60 °C Z) -5 ... +150 (high temperature H version) -5 ... +70 (automatic drain S version and reduced orifice automatic drain SR version) -40 ... +100 (EPDM-FDA version)		
Maximum working pressure (bar)	20 (standard, low and high temperature versions) 16 (automatic drain version) 10 (reduced orifice automatic drain version)		

Maintenance



Filtration elements and filter regulator are reusable through blowing and/or washing and is made of stainless steel or HDPE (high density polyethylene). To replace, remove the cup, loosen the set screw of the support and replace the filter element with a new one or refurbished one. Replace the regulator diaphragm whenever the performance is compromised or if there is a continuous discharge from the relieving hole (over-pressure exhaust). Fully discharge the adjustment spring before removing the adjustment mechanism. For other maintenance activities, due to complexity of assembly and requirement for dedicated **PNEUMAX** testing activities, it is strongly recommended to contact the manufacturer.

Certifications available



CE Ex II 2G Ex h IIC Gb
CE Ex II 2D Ex h IIIC Db



: Suitable up to SIL 3

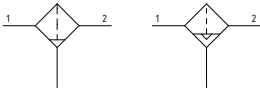


: CU - TR 012

Filter



- ▶ Body, bowl and internal components in AISI 316L stainless steel
- ▶ A4 (AISI 316) stainless steel fixing screws
- ▶ Manual or automatic drain
- ▶ ATEX certification (II 2G or II 2D), SIL, EAC
- ▶ Filter cartridge available in AISI 316 stainless steel or HDPE
- ▶ Clean profile versions available
- ▶ Versions with 1/8" NPT pressure gauge connection available



Technical characteristics	Size		
	Size 2	Size 3	Size 4
Type	Rough finishing Clean profile (bowl)		
IN / OUT connections	G1/4" 1/4" NPT 3/8" NPT	G1/2" 1/2" NPT 1/4" NPT	G1" 1" NPT 3/4" NPT
Assembly configuration	Stand alone		
Assembly position	Vertical		
Filter pore size	5 µm 20 µm 50 µm		
Max. bowl capacity (cm ³)	15	25	78
Condensation drain	Manual Automatic		

Operational characteristics	Size					
	Size 2	Size 3	Size 4	Size 2	Size 3	Size 4
	Manual condensation drain			Automatic condensation drain		
Maximum working pressure (bar)	20 (standard version)			16 (automatic drain version) 10 (reduced orifice automatic drain version)		
Minimum working pressure (bar)	/			0,5		
Working temperature (°C)	-30 ... +80 (standard version) -50 ... +80 (low temperature L version) -60 ... +80 (low temperature version -60 °C Z) -5 ... +150 (high temperature H version) -40 ... +100 (EPDM-FDA version)			-5 ... +70 (automatic drain S version and reduced orifice automatic drain SR version)		

Weights	Size		
	Size 2	Size 3	Size 4
Standard version (g)	1088	1903	4655
Automatic drain version / Reduced orifice automatic drain version (g)	1175	2070	4692

Order codes

S S 17 2B F B S G

PROCESS AUTOMATION TECHNOLOGY

Version	
S	Rough finishing
F	Clean profile

Size and connections	
2A	Size 2 - 1/4" NPT
2B	Size 2 - 3/8" NPT
2C	Size 2 - G1/4"
3A	Size 3 - 1/4" NPT
3B	Size 3 - 1/2" NPT
3D	Size 3 - G1/2"
4A	Size 4 - 3/4" NPT
4B	Size 4 - 1" NPT
4D	Size 4 - G1"

Filter pore size	
A	5 µm - 316 stainless steel
B	20 µm - 316 stainless steel
C	50 µm - 316 stainless steel
D	5 µm - HDPE
E	20 µm - HDPE
F	50 µm - HDPE

Options	
	Standard
L	Low temperature
Z	Low temperature (-60 °C)
H	High temperature
S	Automatic drain
SR	Reduced orifice automatic drain version
EF	EPDM-FDA

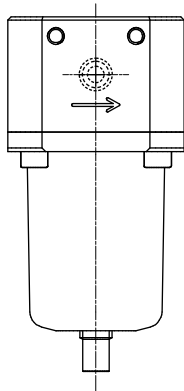
Body options	
	Standard
G	with pressure gauge connection port

Example: SS172BFBSG

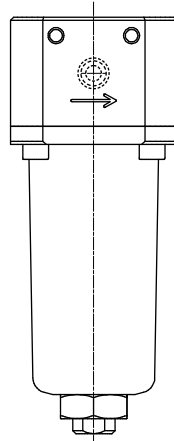
Size 2 filter, rough finishing, 3/8" NPT connection, filter pore size 20 µm - 316 stainless steel, automatic drain with pressure gauge connection port.

Design

Size 2 - Size 3 - Size 4
Manual drain



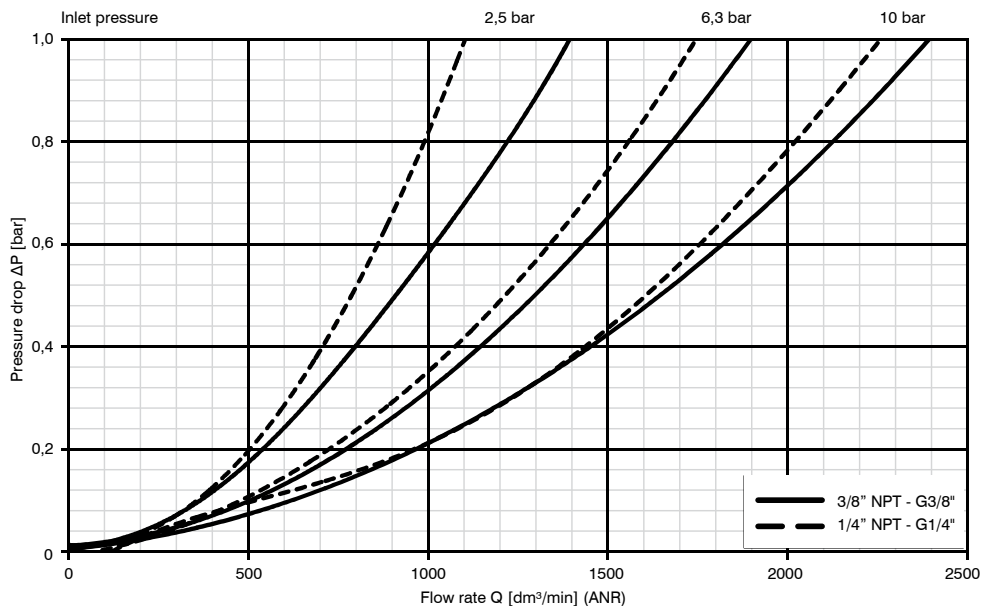
Size 2 - Size 3 - Size 4
Automatic drain





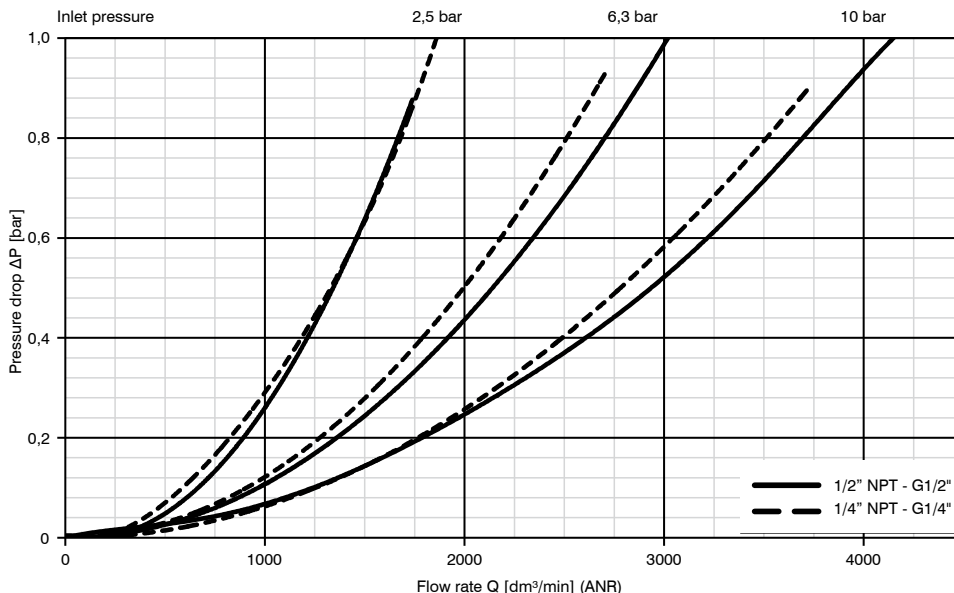
Characteristic curves

Flow rate curves



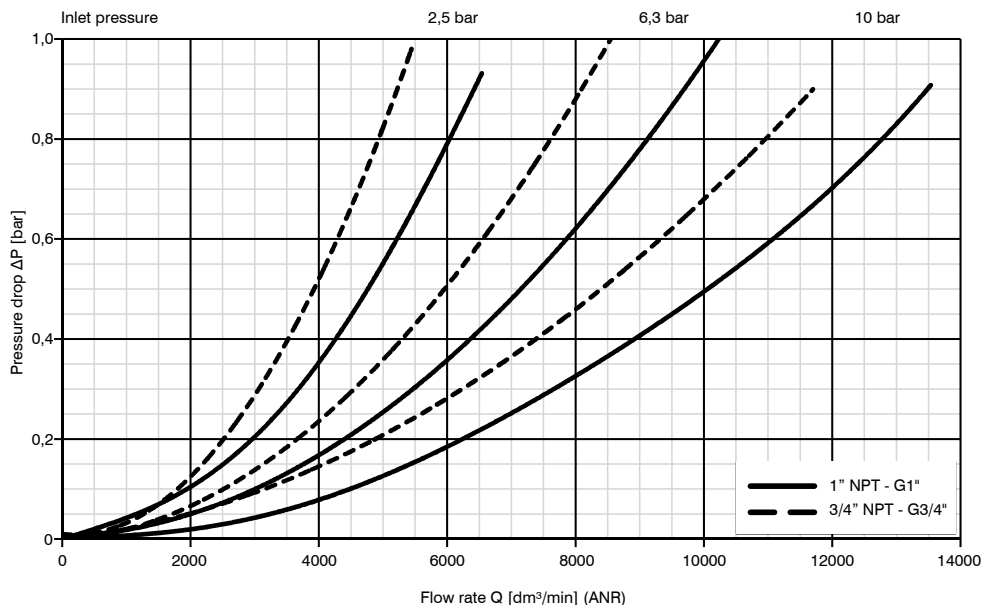
Size 2

Flow rate curves



Size 3

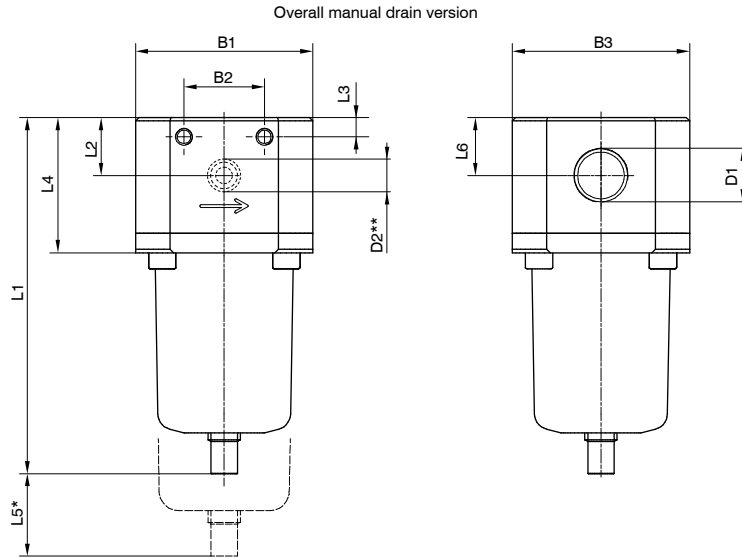
Flow rate curves



Size 4

Dimensions

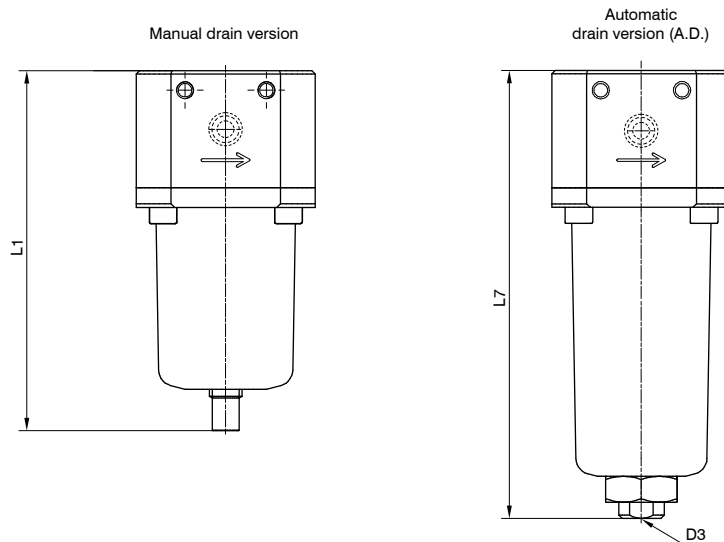
PROCESS AUTOMATION TECHNOLOGY



* = BOWL REMOVAL MAXIMUM HEIGHT
** = ONLY FOR VERSION WITH PRESSURE GAUGE CONNECTION PORT

Model	B1	B2	B3	D1	D2	L1	L2	L3	L4	L5	L6
#172...	55	25	55	G1/4" 1/4" NPT 3/8" NPT	1/8" NPT	111	18	6	42	45	18
#173...	71	22	71	G1/2" 1/2" NPT 1/4" NPT	1/8" NPT	124	20	5,5	48	65	20
#174...	92	36	92	G1" 1" NPT 3/4" NPT	1/8" NPT	198,5	32,5	10	73,5	80	32,5

Variable dimensions



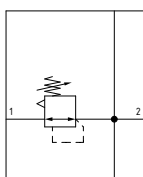
Model	L1	L7	D3
#172...	111	138	1/8" NPT
#173...	124	160	1/8" NPT
#174...	198,5	207,5	1/8" NPT



Regulators



- ▶ Pressure regulator diaphragm with over-pressure drain (Relieving)
- ▶ Body, adjustment mechanism, back plate and caseback internal components in AISI 316L stainless steel
- ▶ AISI 316 stainless steel adjustment springs
- ▶ Fixing screws, adjustment screw and locking nut in inox A4 (AISI 316)
- ▶ Clean profile versions available
- ▶ Low hysteresis rolling diaphragm
- ▶ Balanced system
- ▶ ATEX certification (II 2G or II 2D), SIL, EAC



Note

The pressure must be always regulating while increasing. For a more precise regulation and higher sensibility, the use of a regulator with a pressure range as close as possible to the regulated pressure is recommended.

Technical characteristics	Size		
	Size 2	Size 3	Size 4
Type	Rough finishing Clean profile (Back plate and adjustment mechanism)		
IN / OUT connections	1/4" NPT 3/8" NPT G1/4"	1/4" NPT 1/2" NPT G1/2"	3/4" NPT 1" NPT G1"
Assembly configuration	Stand alone		
Assembly position	Indifferent		
Pressure range (bar)	0-2 0-4 0-8 0-12		
Regulation	Manual		
Pressure measurement	1/8" NPT pressure gauge connection port		

Operational characteristics	Size		
	Size 2	Size 3	Size 4
Maximum working pressure (bar)	20		
Minimum working pressure (bar)	0,5		
Working temperature (C°)	-30 ... +80 (standard version) -50 ... +80 (low temperature L version) -60 ... +80 (low temperature version -60 °C Z) -5 ... +150 (high temperature H version) -40 ... +100 (EPDM-FDA version)		

Weights	Size		
	Size 2	Size 3	Size 4
Weight (g)	1283	2270	5400

Order codes

S S 17 3B R B N L

PROCESS AUTOMATION TECHNOLOGY

Version	
S	Rough finishing
F	Clean profile

Size and connections	
2A	Size 2 - 1/4" NPT
2B	Size 2 - 3/8" NPT
2C	Size 2 - G1/4"
3A	Size 3 - 1/4" NPT
3B	Size 3 - 1/2" NPT
3D	Size 3 - G1/2"
4A	Size 4 - 3/4" NPT
4B	Size 4 - 1" NPT
4D	Size 4 - G1"

Pressure range	
A	0 - 2 bar
B	0 - 4 bar
C	0 - 8 bar (0 - 7 bar for size 4)
D	0 - 12 bar (0 - 10 bar for size 4)

Type	
	Standard
N	without relieving

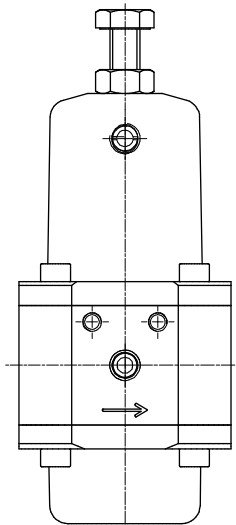
Options	
	Standard
L	Low temperature
Z	Low temperature (-60 °C)
H	High temperature
EF	EPDM-FDA

Example: SS173BRBNL

Size 3 regulator, rough finishing, 1/2" NPT connection, pressure range 0 - 4 bar, without relieving, low temperature version.

Design

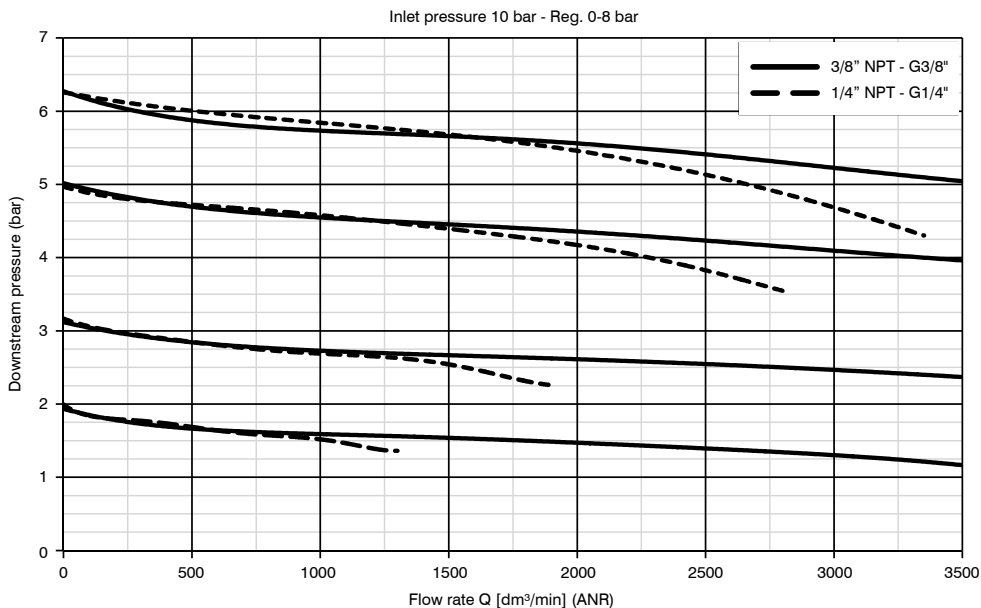
Size 2 - Size 3 - Size 4





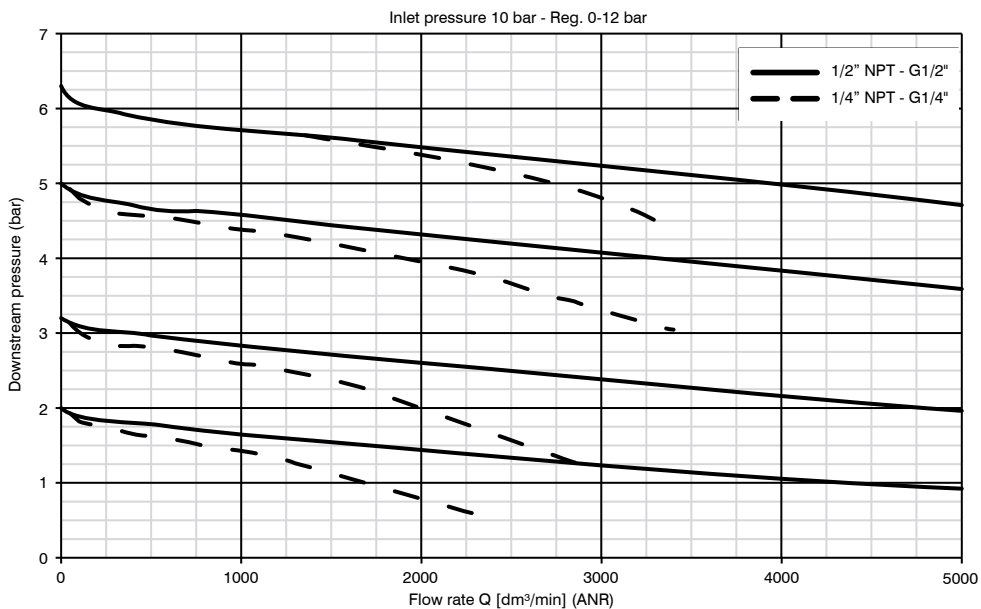
Characteristic curves

Flow rate curves



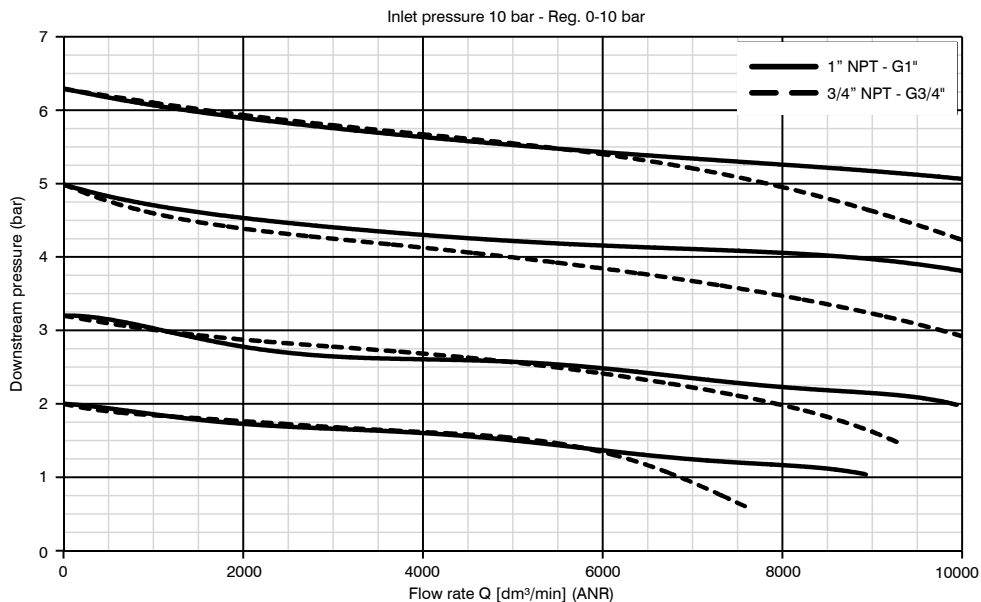
Size 2

Flow rate curves



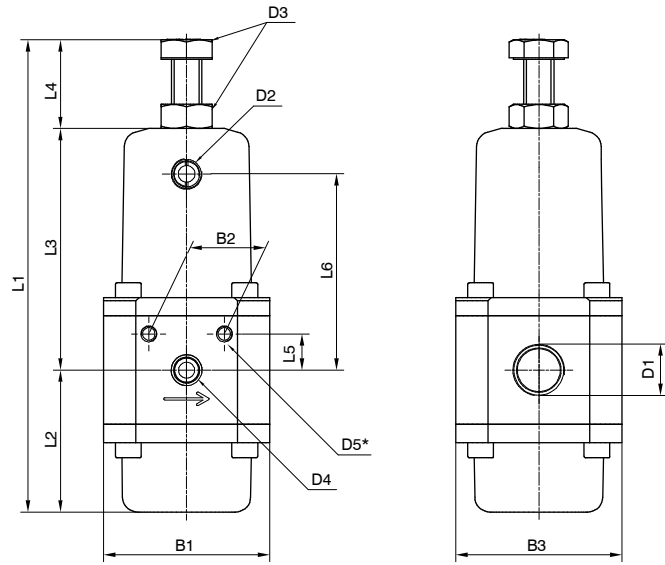
Size 3

Flow rate curves



Size 4

Dimensions



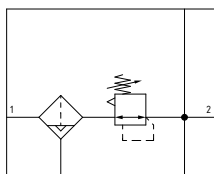
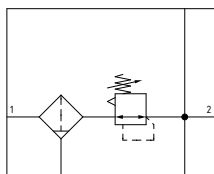
*THREADED HOLES ON BOTH SIDES

Model	B1	B2	B3	D1	D2	D3	D4	D5	L1	L2	L3	L4	L5	L6
#172...	55	25	55	1/4" NPT 3/8" NPT G1/4"	1/8" NPT	Ch.17	1/8" NPT	M5 2 front holes 2 rear holes	156,5	47	80	29,5	12	65
#173...	71	22	71	1/4" NPT 1/2" NPT G1/2"	1/8" NPT	Ch.17	1/8" NPT	M6 2 front holes 2 rear holes	172,5	53	91	28,5	14,5	76,5
#174...	92	36	92	3/4" NPT 1" NPT G1"	1/8" NPT	Ch.19	1/8" NPT	M8 2 front holes 2 rear holes	260,5	74	147	39,5	22,5	128

Filter regulators



- ▶ Filter-pressure regulator diaphragm with over-pressure drain (Relieving)
- ▶ Body, adjustment mechanism, back plate and caseback internal components in AISI 316L stainless steel
- ▶ AISI 316 stainless steel adjustment springs
- ▶ Fixing screws, adjustment screw and locking nut in inox A4 (AISI 316)
- ▶ Clean profile versions available
- ▶ Filter cartridge available in AISI 316 stainless steel or HDPE
- ▶ Low hysteresis rolling diaphragm
- ▶ Balanced system
- ▶ Manual or automatic drain
- ▶ ATEX certification (II 2G or II 2D), SIL, EAC



Note

The pressure must be always regulating while increasing. For a more precise regulation and higher sensibility, the use of a regulator with a pressure range as close as possible to the regulated pressure is recommended.

Technical characteristics	Size		
	Size 2	Size 3	Size 4
Type	Rough finishing Clean profile (Bowl and adjustment mechanism)		
IN / OUT connections	1/4" NPT 3/8" NPT G1/4"	1/4" NPT 1/2" NPT G1/2"	3/4" NPT 1" NPT G1"
Assembly configuration	Stand alone		
Assembly position	Vertical		
Filter pore size	5 µm 20 µm 50 µm		
Pressure range (bar)	0-2 0-4 0-8 0-12		0-2 0-4 0-7 0-10
Max. bowl capacity (cm ³)	34	68	90
Condensation drain	Manual Automatic		
Regulation	Manual		
Pressure measurement	1/8" NPT pressure gauge connection port		

Operational characteristics	Size					
	Manual condensation drain			Automatic condensation drain		
	Size 2	Size 3	Size 4	Size 2	Size 3	Size 4
Maximum working pressure (bar)	20 (standard version)			16 (automatic drain version) 10 (reduced orifice automatic drain version)		
Minimum working pressure (bar)	/			0,5		
Working temperature (°C)	-30 ... +80 (standard version) -50 ... +80 (low temperature L version) -60 ... +80 (low temperature version -60 °C Z) -5 ... +150 (high temperature H version) -40 ... +100 (EPDM-FDA version)			-5 ... +70 (automatic drain S version and reduced orifice automatic drain SR version)		

Weight	Size		
	Size 2	Size 3	Size 4
Standard version (g)	1492	2557	6253
Automatic drain version / Reduced orifice automatic drain version (g)	1579	2723	6290

Order codes

S S 17 3B E B B N L

PROCESS AUTOMATION TECHNOLOGY

Version	
S	Rough finishing
F	Clean profile
M	Modular assembly version (only for size 2 and size 3)

Size and connections	
2A	Size 2 - 1/4" NPT
2B	Size 2 - 3/8" NPT
2C	Size 2 - G1/4"
3A	Size 3 - 1/4" NPT
3B	Size 3 - 1/2" NPT
3D	Size 3 - G1/2"
4A	Size 4 - 3/4" NPT
4B	Size 4 - 1" NPT
4D	Size 4 - G1"

Filter pore size	
A	5 µm - 316 stainless steel
B	20 µm - 316 stainless steel
C	50 µm - 316 stainless steel
D	5 µm - HDPE
E	20 µm - HDPE
F	50 µm - HDPE

Pressure range	
A	0 - 2 bar
B	0 - 4 bar
C	0 - 8 bar (0 - 7 bar for size 4)
D	0 - 12 bar (0 - 10 bar for size 4)

Type	
	Standard
N	Without relieving

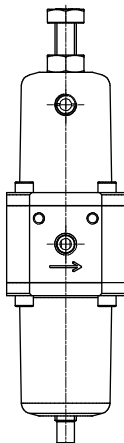
Options	
	Standard
L	Low temperature
Z	Low temperature (-60 °C)
H	High temperature
S	Automatic drain
SR	Reduced orifice automatic drain version
EF	EPDM-FDA

Example: SS173BEBBNL

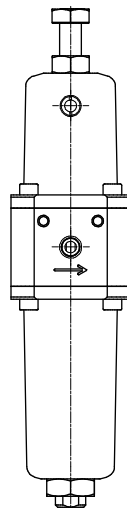
Size 3 filter regulator, rough finishing, 1/2" NPT connection, filter pore size 20 µm - 316 stainless steel, pressure range 0 - 4 bar, without relieving, low temperature version.

Design

Size 2 - Size 3 - Size 4
Manual drain



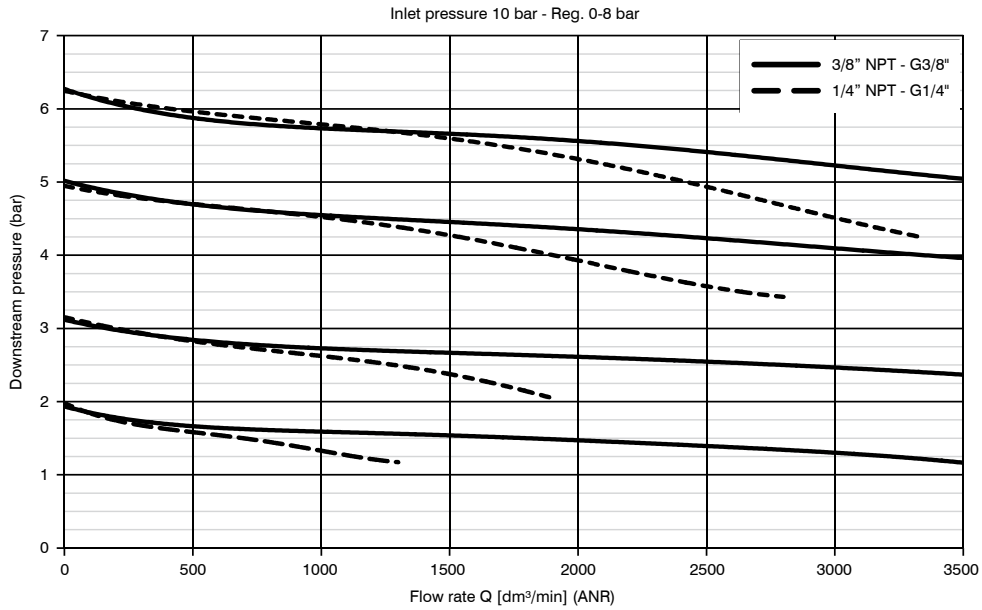
Size 2 - Size 3 - Size 4
Automatic drain





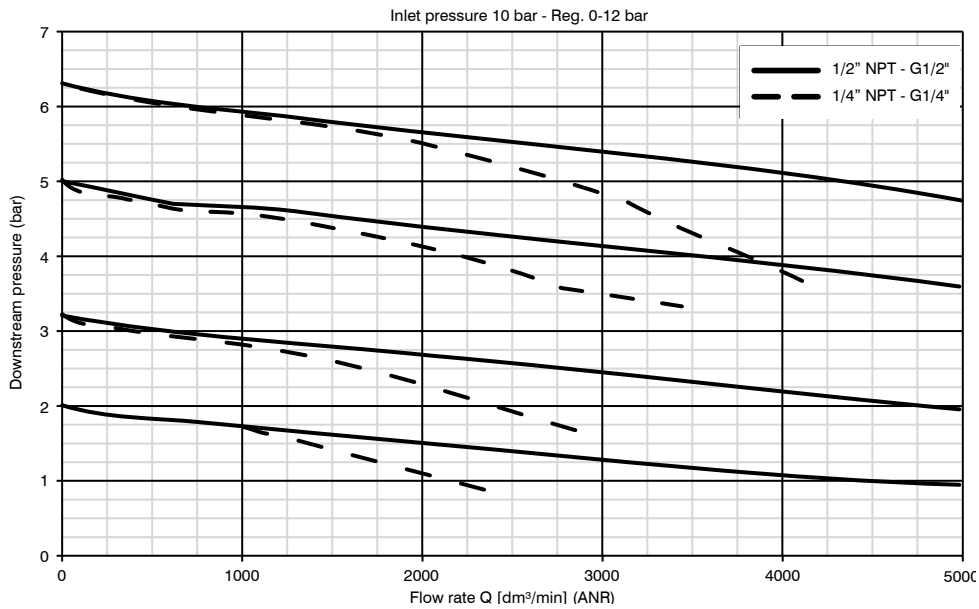
Characteristic curves

Flow rate curves



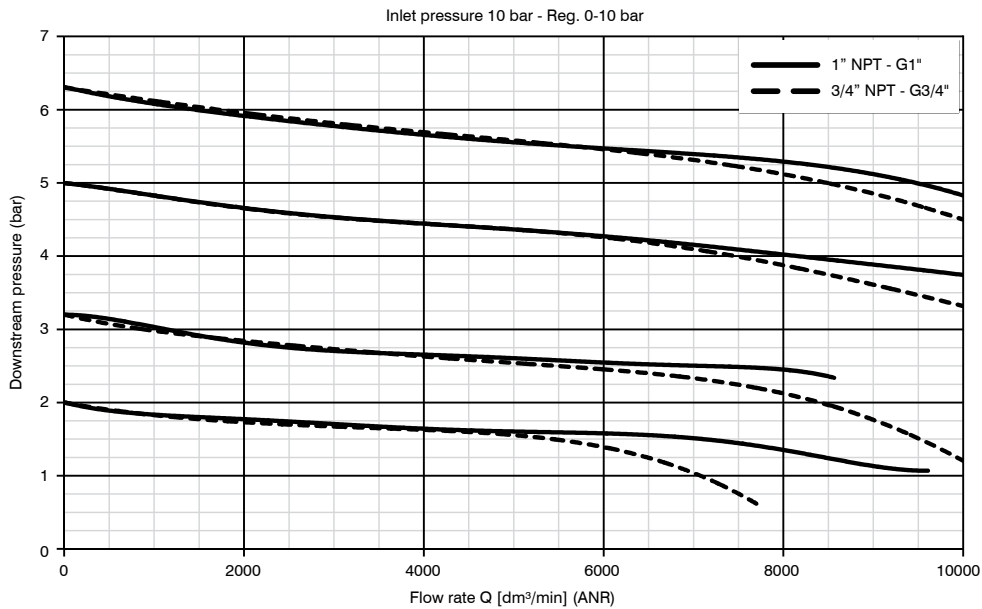
Size 2

Flow rate curves



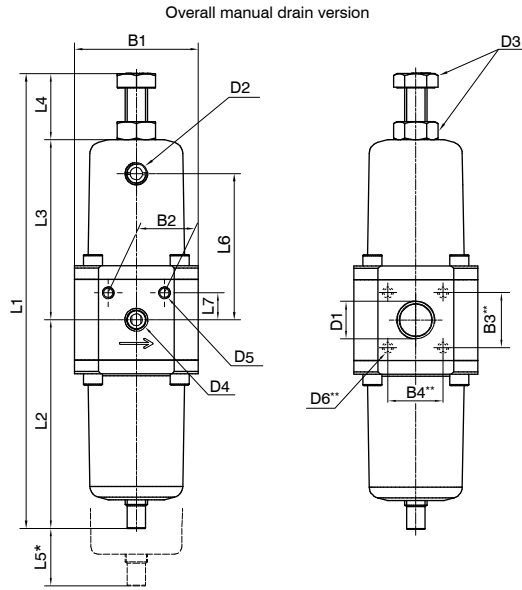
Size 3

Flow rate curves



Size 4

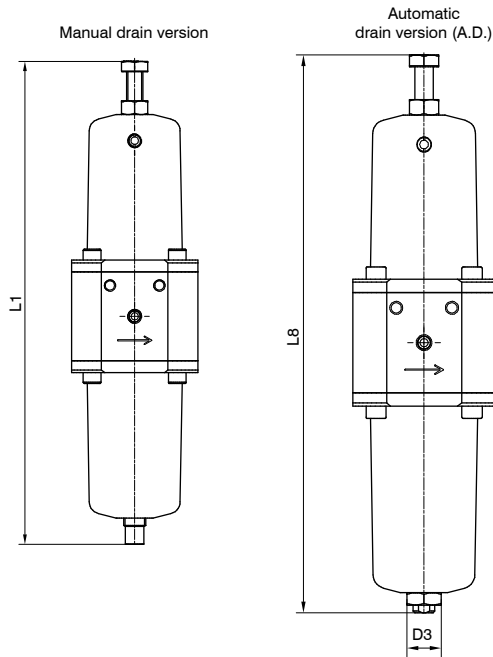
Dimensions



* = BOWL REMOVAL MAXIMUM HEIGHT
** = ONLY FOR M VERSION

Model	B1	B2	B3	B4	D1	D2	D3	D4	D5	D6	L1	L2	L3	L4	L5	L6	L7
#172...	55	25	25	25	1/4" NPT 3/8" NPT G1/4"	1/8" NPT	Ch.17	1/8" NPT	M5 2 front holes 2 rear holes	M4 4 holes IN side 4 holes OUT side	202,5	93	80	29,5	45	65	12
#173...	71	22	31,5	31,5	1/4" NPT 1/2" NPT G1/2"	1/8" NPT	Ch.17	1/8" NPT	M6 2 front holes 2 rear holes	M5 4 holes IN side 4 holes OUT side	223,5	104	91	28,5	65	76	14,5
#174...	92	36	/	/	3/4" NPT 1" NPT G1"	1/8" NPT	Ch.19	1/8" NPT	M8 2 front holes 2 rear holes	/	352,5	166	147	39,5	80	128	22,5

Variable dimensions

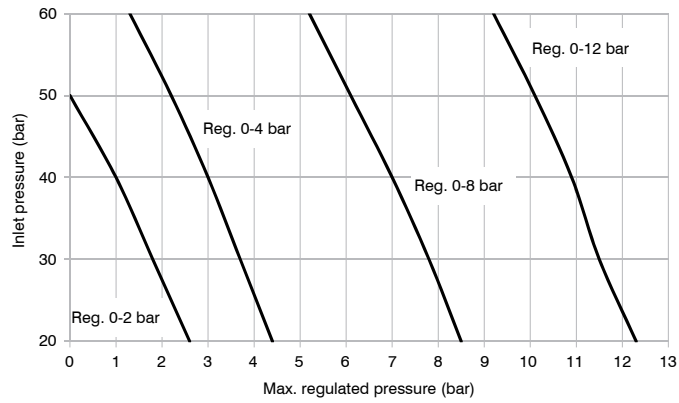


Model	L1	L8	D3
#172...	202,5	229,5	1/8" NPT
#173...	223,5	259,5	1/8" NPT
#174...	352,5	361	1/8" NPT

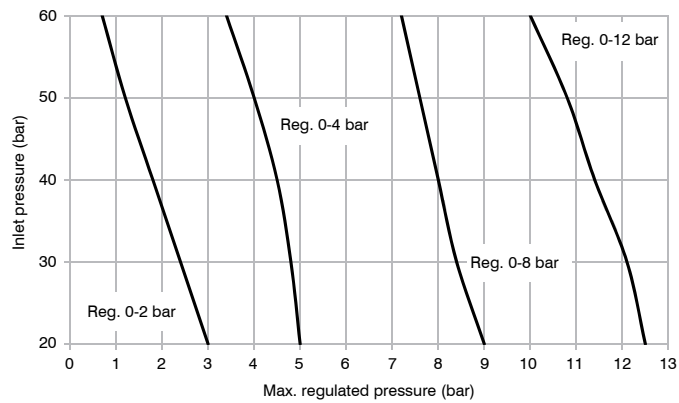


Inlet pressure notes

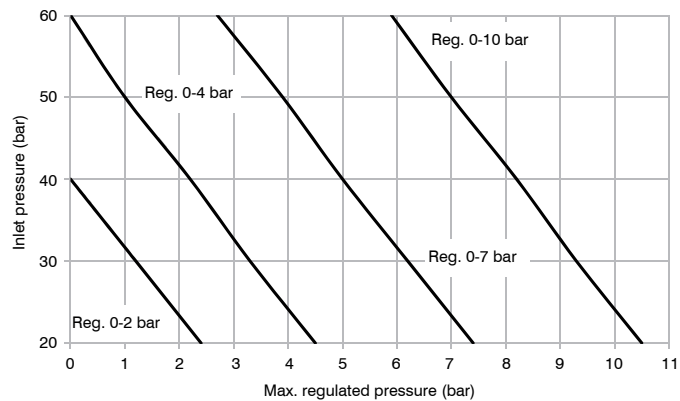
Pressure regulator Stainless steel line have been designed to withstand a **60 bar** maximum inlet pressure. **Maximum regulated outlet pressure is 20 bar**. For performance details please refer to diagram alongside.



Size 2



Size 3



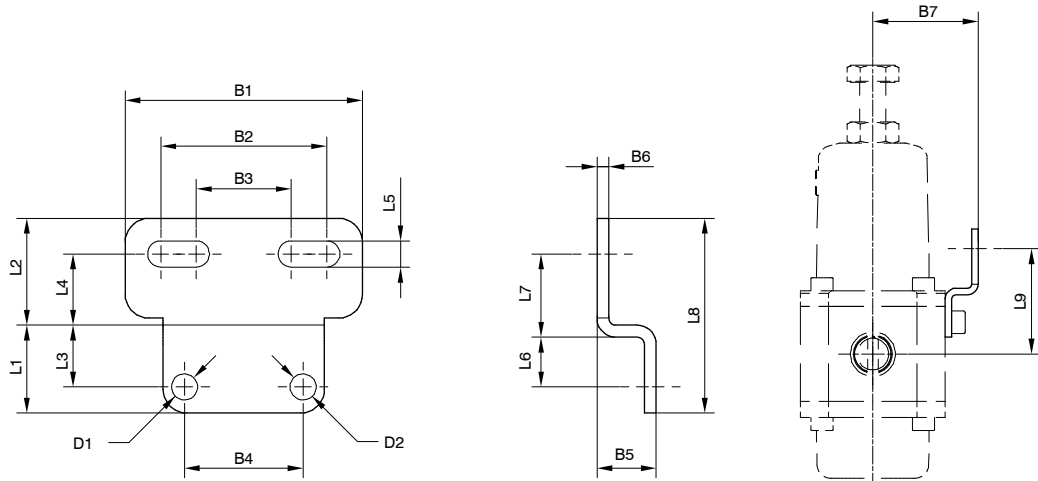
Size 4

► Fixing bracket

SS174 50



Size	
SS172	Size 2
SS173	Size 3
SS174	Size 4



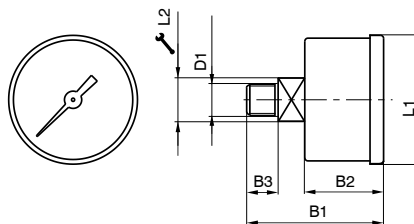
Model	B1	B2	B3	B4	B5	B6	B7	D1	D2	L1	L2	L3	L4	L5	L6	L7	L8	L9
SS17250	50	35	20	25	12,5	2,5	40	Ø5,5	Ø5,5	18,5	22,5	13	15	5,5	10,5	17,5	41	40
SS17350	60	45	20	22	14,5	3	50	Ø6,5	Ø6,5	14	24,5	/	16,5	6,5	11	19,5	44,5	45
SS17450	80	60	40	36	16	4	62	Ø8,5	Ø8,5	24	31	/	/	8,5	11	25	55	58,5

► Pressure gauge

SS17070A A



Scale	
A	0 - 4 bar
B	0 - 12 bar

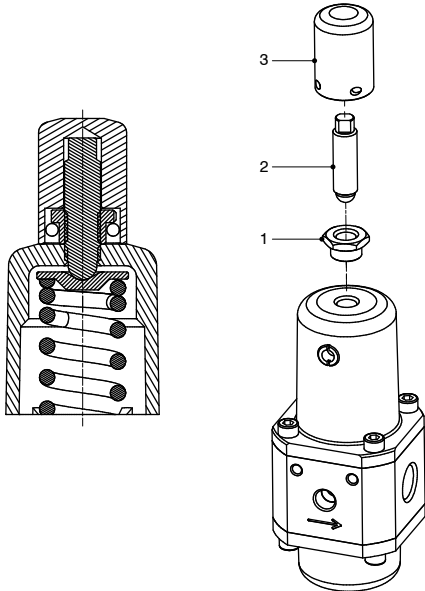


Model	B1	B2	B3	D1	L1	L2
SS17070AA SS17070AB	40	25	10	1/8" NPT	42,5	11

Tamper-proof kit

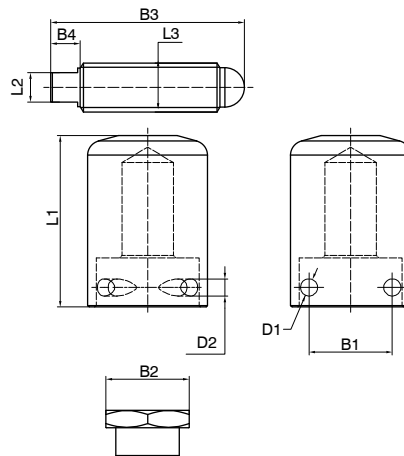
Size	
SS172	Size 2 - Size 3
SS174	Size 4

SS174 55



To use, replace the standard adjustment screw and nut with the screw and nut supplied in the kit. Assemble the screw and nut as shown (see adjacent drawing), adjust until the desired P_2 value is reached, lock the nut and insert the cap that can be locked with wire or padlock.

Tamper-proof kit	
1	Adjustment screw
2	Locking nut
3	Tamper-proof cap



Model	B1	B2	B3	B4	D1	D2	L1	L2	L3
SS17255	17	Ch.17	39,5	6	Ø3,5	Ø3,5	35	Ch. 6	M10x1,5
SS17455	19	Ch. 20	56,5	6,5	Ø3,5	Ø3,5	45	Ch. 7	M12x1,75

Series Flowplus



General

The **Pneumax** Flowplus range of high-capacity volume boosters are available in both Aluminium or Stainless Steel with the option of a standard version or a version with a built in filter (stainless steel). The Flowplus range has been designed to meet the needs of those more demanding applications within the Oil & Gas industry, applications which require high performance in tough environment conditions. With a high flow exhaust ratio, the **Pneumax** Flowplus volume boosters offer high performance and reliability for process and industrial automation applications..

Both stainless steel and aluminum versions are corrosion and wear resistant, due to the same stainless steel trim type selection, with a wide range of sealing materials for extended operating temperature applications (to extreme low temperature up to high temperature application).

The **Pneumax** booster operates with a 1:1 signal to output relay, capable to provide fast response, delivering high air volume for fast actuator movement and increased stroking speed for both control and on/off valves actuators.

As a standard, an adjustable integrated by-pass valve device is available, to reduce or avoid (thru fully closed position in case of on-off application) excessive actuator overshoot or over-damping.

In addition, in order to precisely adjust actuator travel speed, the **Pneumax** booster can be supplied with integral flow regulators, controlling the air supply, exhaust or both. The stainless steel version is also available with a built in filter (5, 20 & 50 μm) with either HDPE or stainless steel filter element. These filter elements can be regenerated by cleaning with a suitable detergent.

Operating principle

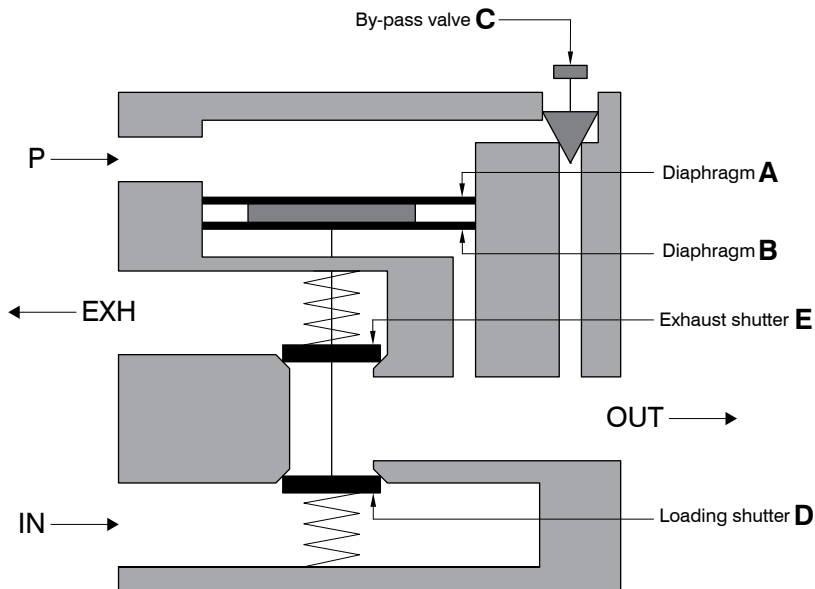
The device is pneumatic operated thru inlet port. When a pressure signal from 2 to 8 bar is applied to the pilot port **P**, the main valve assembly opens the loading shutter **D** to allow the passage of a high volumetric flow from the inlet port to the outlet port. When the system detects that the outlet pressure is equal to the pilot signal pressure, and consequently the forces acting on the membranes **A** and **B** are equivalent, the main valve moves to the de-energized position, i.e. with the shutters **D** and **E** closed.

This condition is maintained until there is a change in signal pressure or a change in outlet pressure value. If the outlet pressure figure is higher than the pilot signal pressure, the main valve group opens the shutter of drain **E** to exhaust. If the system detects an outlet pressure lower than the pilot signal, the main valve opens to restore the outlet at correct pressure.

The signal input and output ports are connected by an integrated and adjustable by-pass valve **C**.

The adjustment, in addition to control the sensitivity of the system to changes in the pilot signal, ensures the exact equalization between the input signal and the supply occurs output.

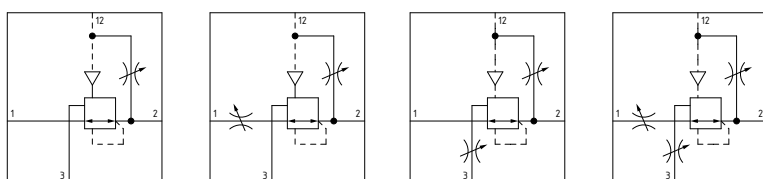
This allows that low volume signal provide a output high volume with a signal to output pressure ratio of 1:1.



Volume booster



- ▶ Available in 2 sizes with connections from 1/4" NPT to 1" NPT
- ▶ Available in aluminium with epoxy coating paint or in stainless steel AISI 316L
- ▶ Stainless steel AISI 316L versions according to NACE MR0175 - ISO15156/1
- ▶ Compact and linear design
- ▶ Robust and reliable construction
- ▶ Double hysteresis rolling membrane system
- ▶ High stability and repeatability
- ▶ High flow rate performances
- ▶ Wide temperature range application
- ▶ 1:1 ratio between pilot pressure and outlet pressure
- ▶ Integrated by-pass valve for reliable adjustment of the system sensitivity
- ▶ Uni and bi-directional flow regulators available
- ▶ Atex certification II 2GD, SIL3 and CU-TR 012



Technical characteristics	Size	
	Size 3	Size 4
Type	Aluminium with epoxy coating paint Stainless steel AISI 316L	
IN / OUT / EXH connections	1/4" NPT - 1/2" NPT	3/4" NPT - 1" NPT
Pilot connection	1/4" NPT	

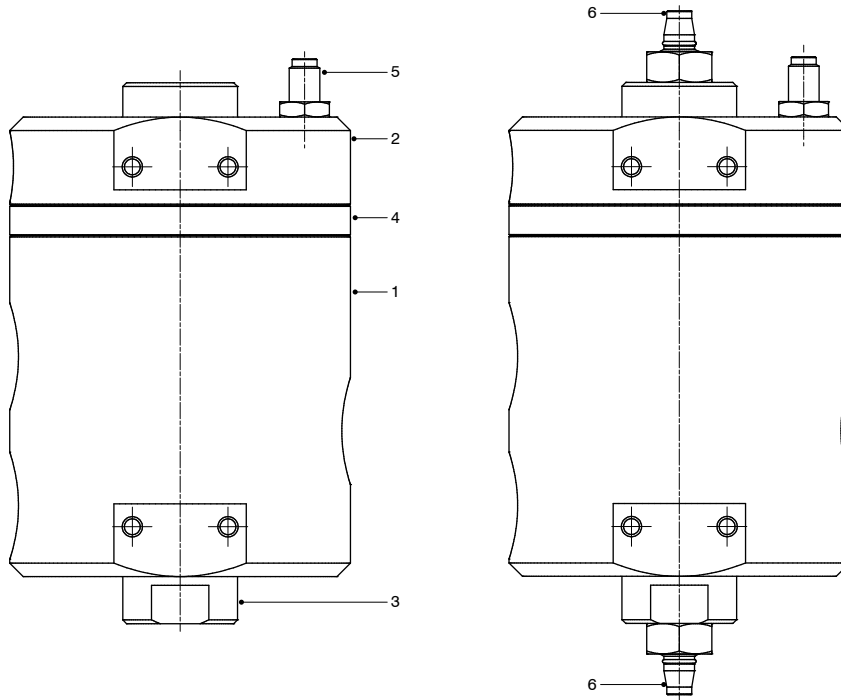
Operational characteristics	Size	
	Size 3	Size 4
Fluid	Dry and clean air Inert gas Natural gas	
Maximum working pressure	13 bar	
Minimum working pressure	2 bar	
Maximum signal pressure	8 bar	
Minimum signal pressure	2 bar	
Working temperature and seals	-30°C ... +80°C - NBR seals (Standard version) -50°C ... +80°C - NBR LT seals (L version) -60°C ... +80°C - PUR - SILICONE seals (Z version) -5°C ... +150°C - FPM - HNBR seals (H version) -40°C ... +100°C - EPDM-FDA seals (EF version)	
Signal pressure / outlet pressure ratio	1:1 ± 5%	
Assembly configuration	Stand alone With fixing bracket	
Assembly positions	Indifferent	

Flow capacity Cv table	Size			
	Size 3		Size 4	
	1/4" NPT	1/2" NPT	3/4" NPT	1" NPT
Output	2,5	4,2	7	9,4
Exhaust	2,5	4,2	7	9,4

Weights	Size			
	Size 3		Size 4	
	1/4" NPT	1/2" NPT	3/4" NPT	1" NPT
Aluminium version without flow regulators	2040 g	2010 g	4470 g	4380 g
Aluminium version with uni-directional flow control regulator	2098 g	2070 g	4478 g	4394 g
Aluminium version with bi-directional flow control regulators	2122 g	2094 g	4515 g	4433 g
Stainless steel AISI 316L version without flow regulators	5460 g	5344 g	11532 g	11308 g
Stainless steel AISI 316L with uni-directional flow control regulator	5476 g	5360 g	11560 g	11336 g
Stainless steel AISI 316L with bi-directional flow control regulators	5491 g	5375 g	11574 g	11350 g

Materials

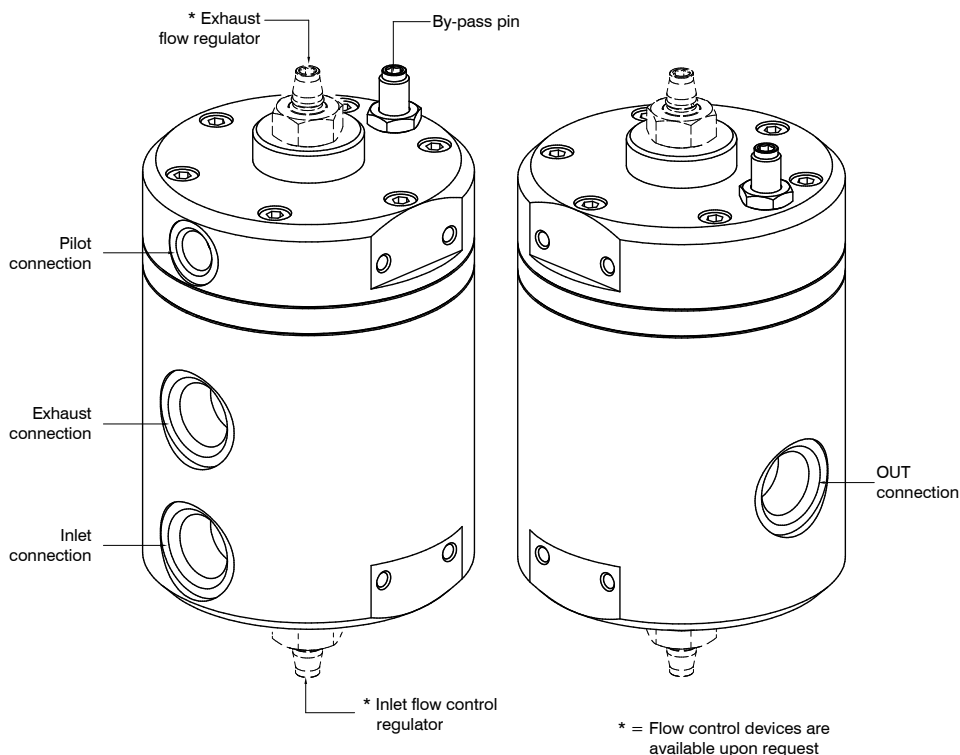
The Pneumax volume booster is manufactured in two versions, one being aluminium, which is epoxy coated and the other being AISI 316L stainless steel. Both are highly resistant to corrosion and wear. The integral components which come into contact with the media are manufactured in 316L stainless steel.



Volume booster		
1	Body	Aluminium with epoxy coating paint Stainless steel AISI 316L
2	Piloting operator	Aluminium with epoxy coating paint Stainless steel AISI 316L
3	Rear end cap	Aluminium with epoxy coating paint Stainless steel AISI 316L
4	Intermediate body	Aluminium with epoxy coating paint Stainless steel AISI 316L
5	By-pass valve	Stainless steel AISI 316L
6	Adjusting pins	Stainless steel AISI 316L
7	Springs	Stainless steel AISI 316
8	Fixing screws and nuts	Stainless steel A4-70
9	Diaphragm and seals	NBR NBR-LT HNBR FPM SILICONE

Design

The Pneumax volume booster is fitted with a by-pass valve as standard and can be supplied with or without a flow regulator. The flow regulator can be either Uni-directional or Bi-directional.



Order codes

Version	
SA	Aluminium with epoxy coating paint
SS	Stainless steel AISI 316L

Size and connections	
3A	Size 3 - 1/4" NPT
3B	Size 3 - 1/2" NPT
4A	Size 4 - 3/4" NPT
4B	Size 4 - 1" NPT

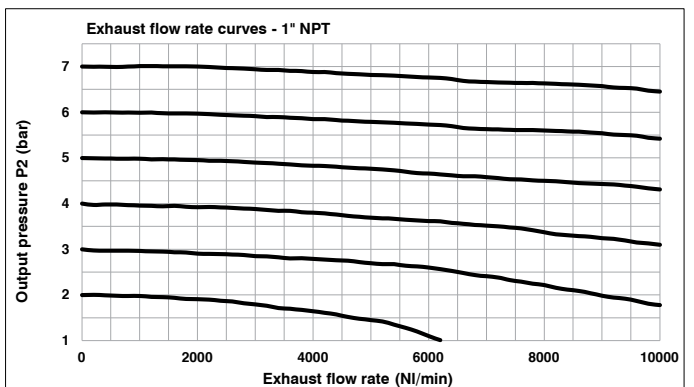
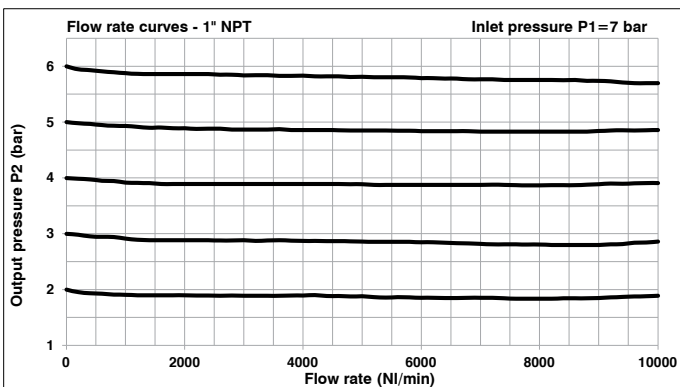
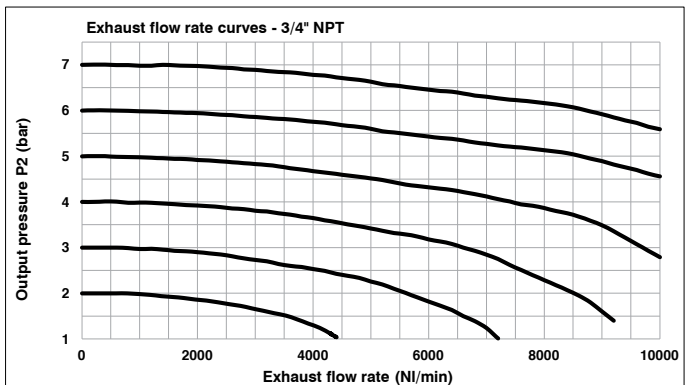
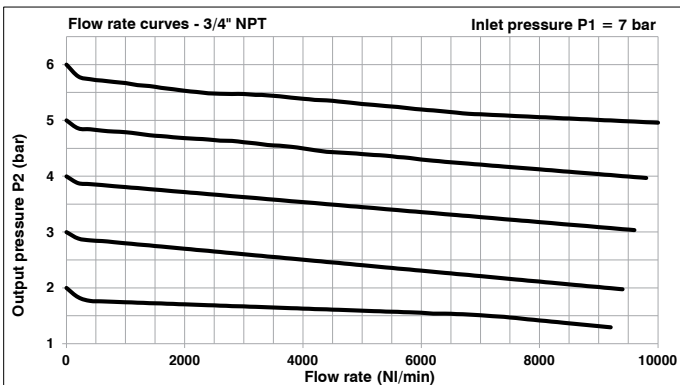
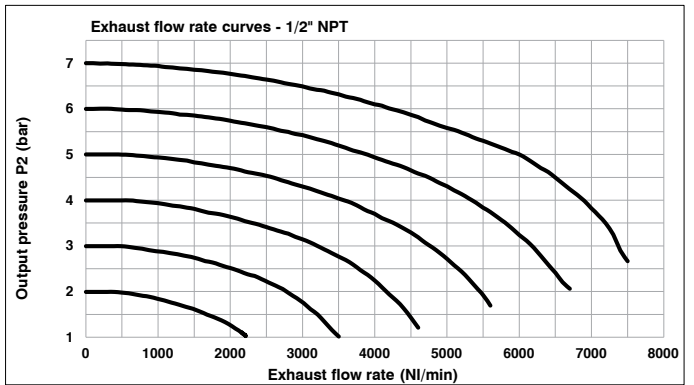
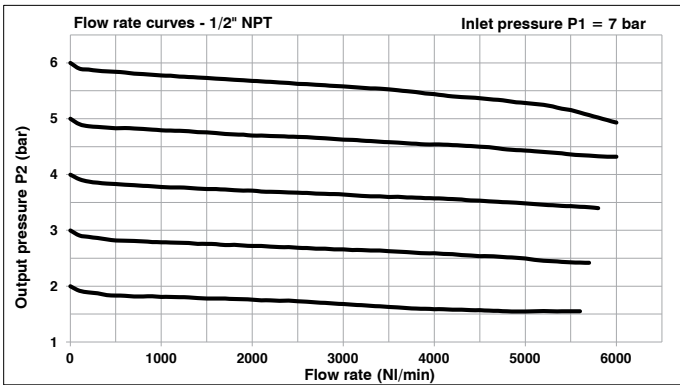
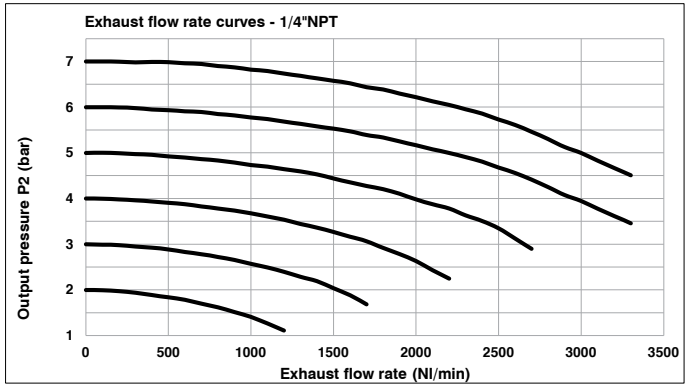
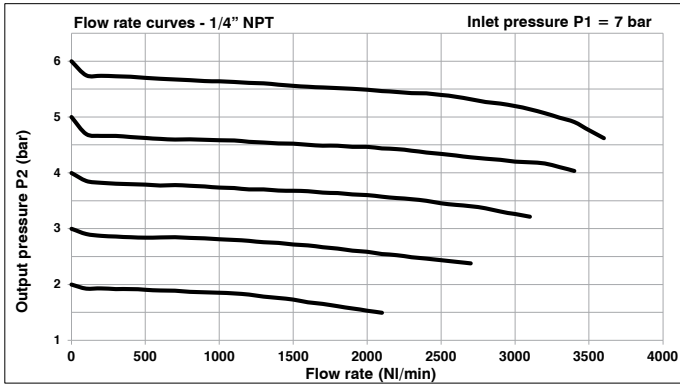
Flow regulators options	
	without flow regulators
RS	with exhaust flow regulator
RM	with inlet flow control regulator
R2	with bi-directional flow control regulators

Temperature options	
	Standard (-30°C ... +80°C)
L	Low temperature (-50°C ... +80°C)
Z	Low temperature (-60°C ... +80°C)
H	High temperature (-5°C ... +150°C)
EF	EPDM-FDA (-40°C ... +100°C)

SA 17 3B VB R2 L

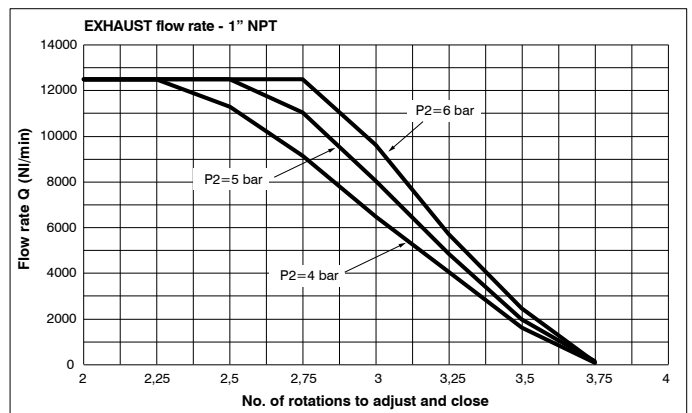
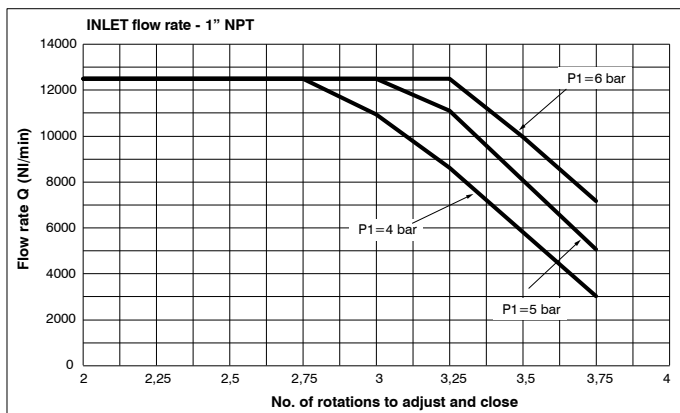
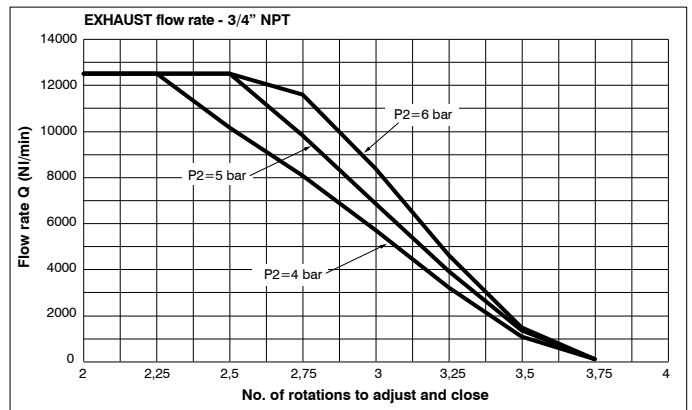
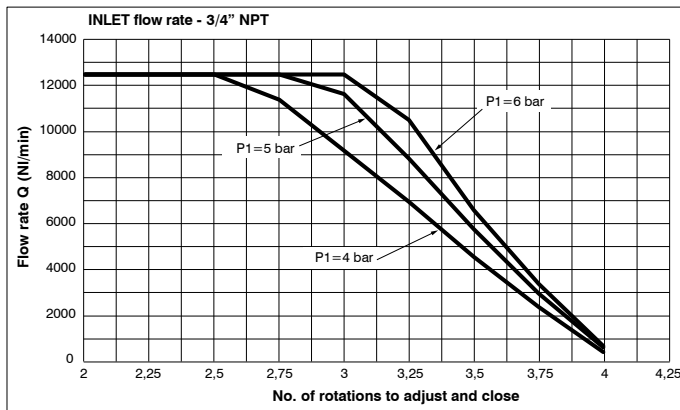
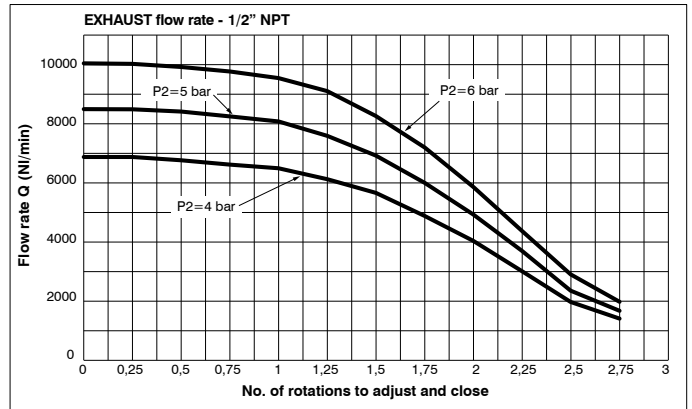
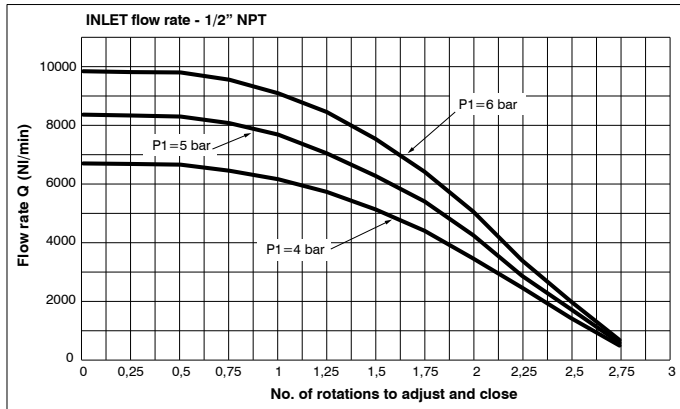
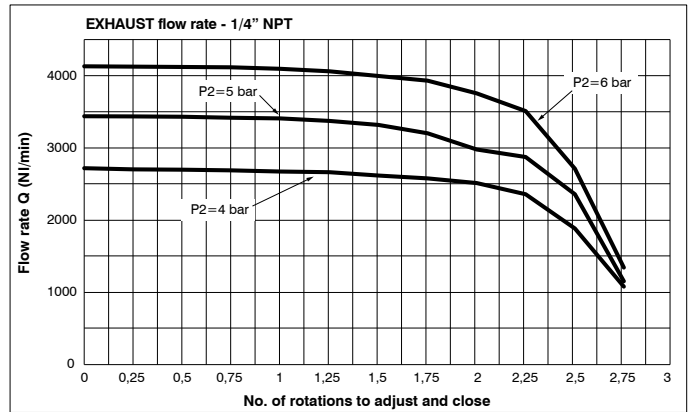
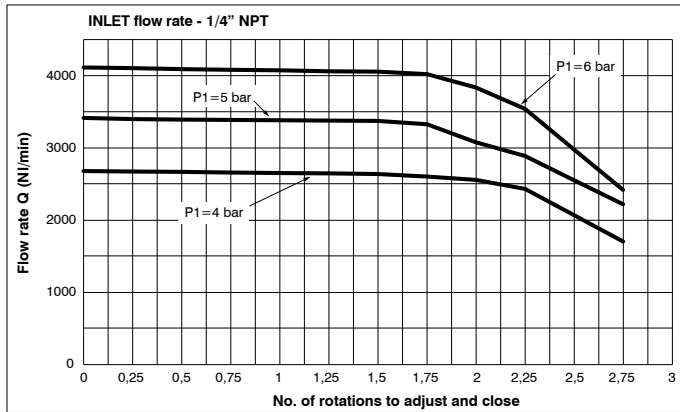
Example : SA173BVB R2 L : Size 3 Volume booster, 1/2" NPT ports, Bi-directional flow control regulator, suitable for low temperature.

Characteristic curves (without flow regulators)



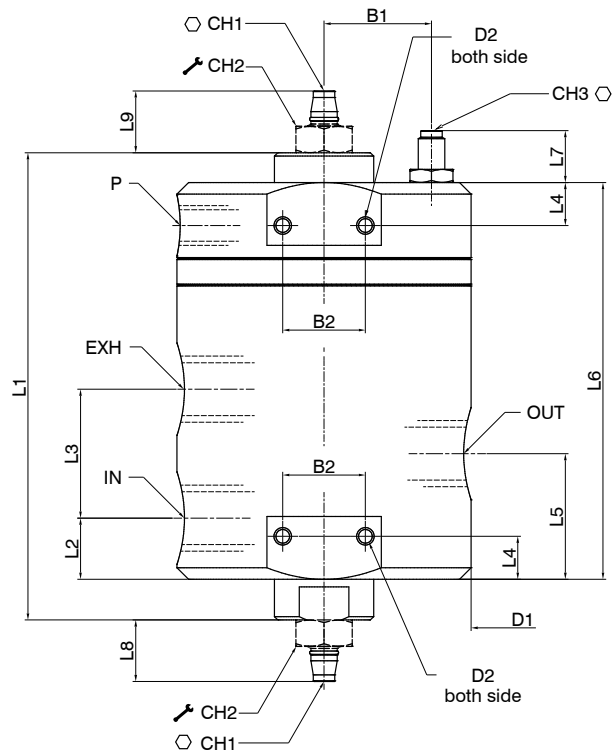


Characteristic curves (with flow regulators)



Dimensions

PROCESS AUTOMATION TECHNOLOGY

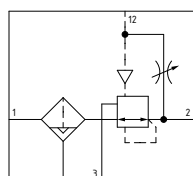
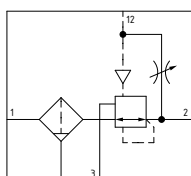


Model	B1	B2	D1	D2 (both side)	L1	L2	L3	L4	L5	L6	L7	L8	L9	IN - OUT - EXH	P	CH1 ○	CH2 ⌘	CH3 ○
SA173...	32,5	25	89	M5	141,5	18,5	39	13	38	120	15,5	/	/	1/4" NPT 1/2" NPT	1/4" NPT	4	17	4
SS173...	33,5																	
SA173...R#	32,5											19	19					
SS173...R#	33,5																	
SA174...	41	22	109	M6	205	27,5	63,5	14	59,5	175	15,5	/	/	3/4" NPT 1" NPT	1/4" NPT	4	19	4
SS174...	43																	
SA174...R#	41											24,5	26,5					
SS174...R#	43																	

Volume filter booster



- ▶ Available in 2 sizes with connections from 1/4" NPT to 1" NPT
- ▶ Available in stainless steel AISI 316
- ▶ In compliance with NACE standard MR0175 - ISO15156/1
- ▶ Compact and linear design
- ▶ Robust and reliable construction
- ▶ Double hysteresis rolling membrane system
- ▶ High stability and repeatability
- ▶ High flow rate performances
- ▶ Wide temperature range application
- ▶ 1:1 ratio between pilot pressure and outlet pressure
- ▶ Integrated by-pass valve for reliable adjustment of the system sensitivity
- ▶ 5 - 20 - 50 μm filter cartridge available in AISI 316 stainless steel or HDPE
- ▶ Manual or automatic drain
- ▶ Atex certification II 2GD, SIL3 and CU-TR 012



Technical characteristics	Size	
	Size 3	Size 4
Type	Stainless steel AISI 316L	
IN / OUT / EXH connections	1/4" NPT - 1/2" NPT	3/4" NPT - 1" NPT
Pilot connection	1/4" NPT	

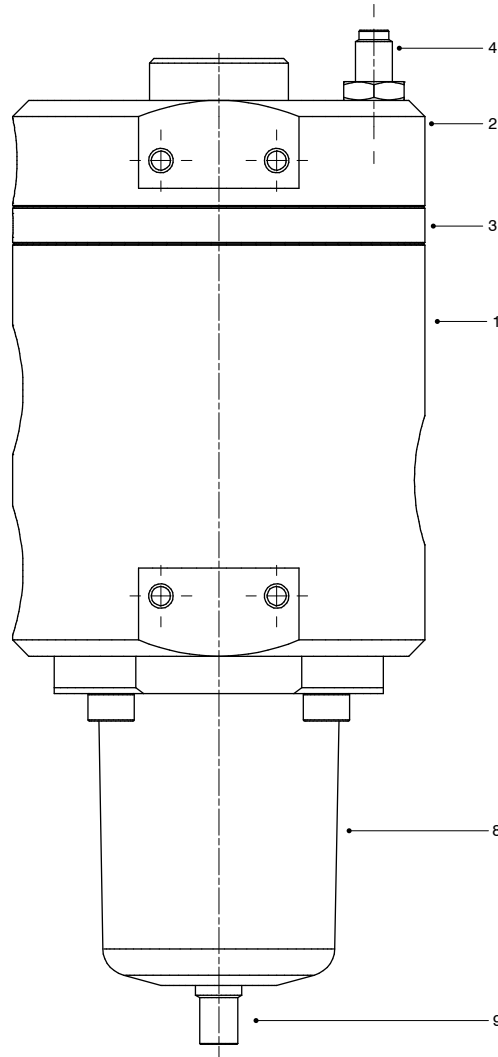
Operational characteristics	Size	
	Size 3	Size 4
Fluid	Compressed air Inert gases Natural gases	
Maximum working pressure	13 bar	
Minimum working pressure	2 bar	
Maximum pressure range	8 bar	
Minimum pressure range	2 bar	
Operating temperature and seals	-30°C ... +80°C - Seals NBR (Standard Version) -50°C ... +80°C - Seals NBR LT (L Version) -60°C ... +80°C - Seals PUR - SILICONE (Z Version) -5°C ... +150°C - Seals FPM - HNBR (H Version) -5°C ... +70°C Automatic drain (S Version) -40°C ... +100°C - EPDM-FDA seals (EF Version)	
Signal pressure / outlet pressure ratio	1:1 ± 5%	
Assembly configuration	Stand alone With fixing bracket	
Assembly positions	Vertical ± 5°	
Filter pore size	5 μm Stainless steel AISI 316 or HDPE (High density polyethylene) 20 μm Stainless steel AISI 316 or HDPE (High density polyethylene) 50 μm Stainless steel AISI 316 or HDPE (High density polyethylene)	
Max. bowl capacity	25 cm ³	78 cm ³
Condensation drain	Manual Automatic	

Flow capacity Cv table	Filter pore size	Size			
		Size 3		Size 4	
		1/4" NPT	1/2" NPT	3/4" NPT	1" NPT
Output	5 μm	2,12	3,6	5,9	8
	20 μm	2,18	3,75	6,15	8,3
	50 μm	2,25	3,83	6,3	8,5
Exhaust	5 μm	2,5	4,2	7	9,4
	20 μm				
	50 μm				

Weights	Size			
	Size 3		Size 4	
	1/4" NPT	1/2" NPT	3/4" NPT	1" NPT
AISI 316L stainless steel version without flow regulators	6460 g	6344 g	12532 g	12308 g

Materials

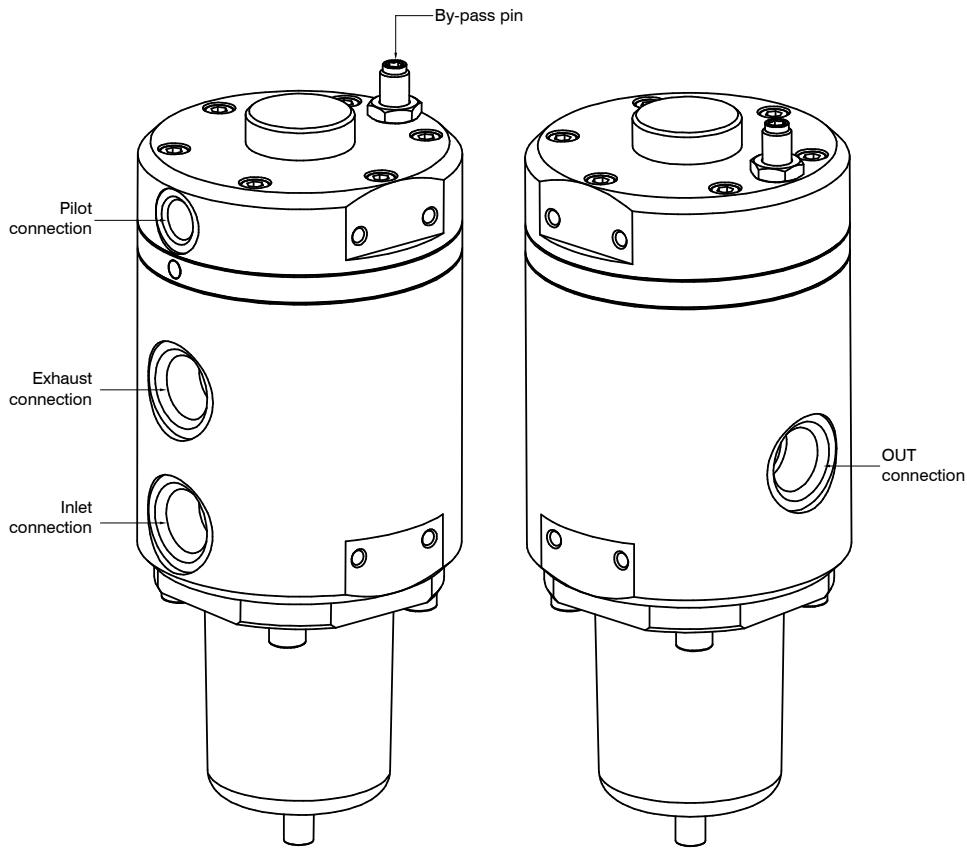
The Volume filter booster is only available in 316L stainless steel. The integral components which come into contact with the media are manufactured in 316L stainless steel. The filter elements are available in both HDPE and 316 stainless steel.



Volume filter booster		
1	Body	Stainless steel AISI 316L
2	Piloting operator	Stainless steel AISI 316L
3	Intermediate body	Stainless steel AISI 316L
4	By-pass valve	Stainless steel AISI 316L
5	Springs	Stainless steel AISI 316
6	Fixing screws and nuts	Stainless steel A4-70
7	Diaphragm and seals	NBR NBR-LT HNBR FPM SILICONE
8	Bowl	Stainless steel AISI 316L
9	Manual drain	Stainless steel AISI 316L
	Automatic drain	POM NBR Brass Stainless steel AISI 316L

Design

The Volume filter booster is fitted with the by-pass valve as standard. Flow regulators are not available.



Order codes

SS 17 3B VFB A L

Version	
SS	Stainless steel AISI 316L

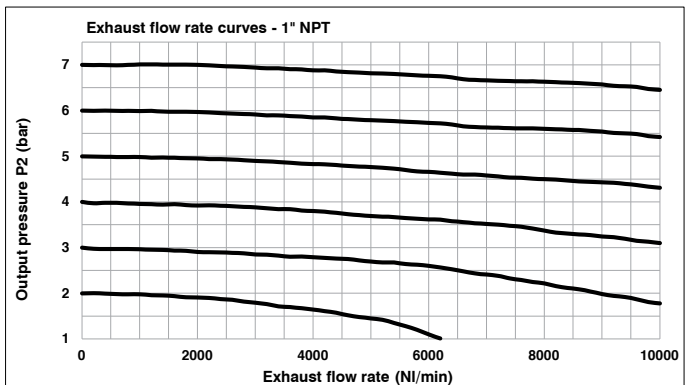
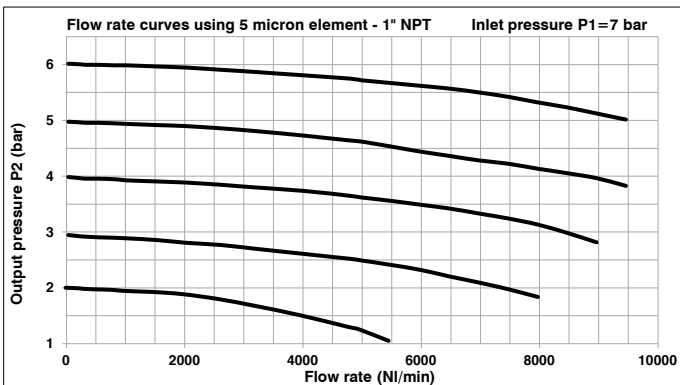
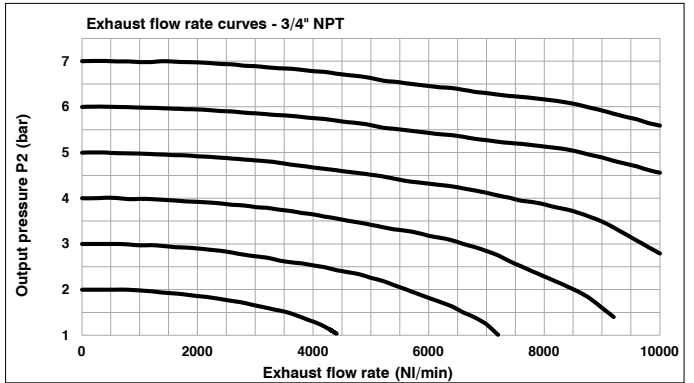
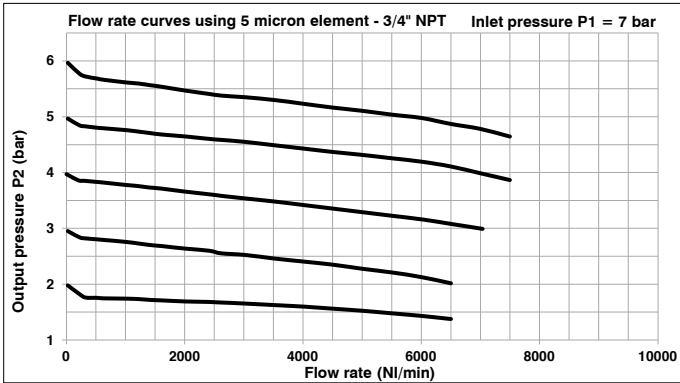
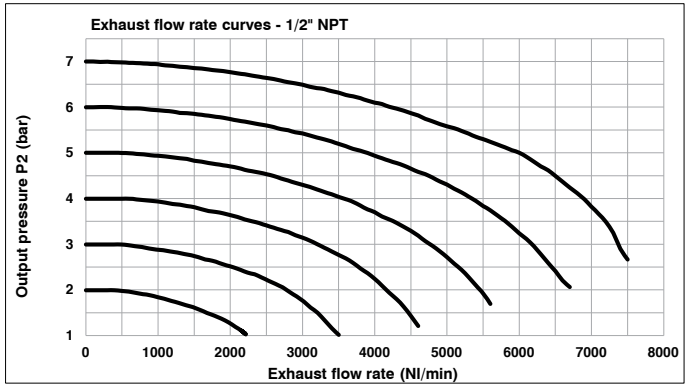
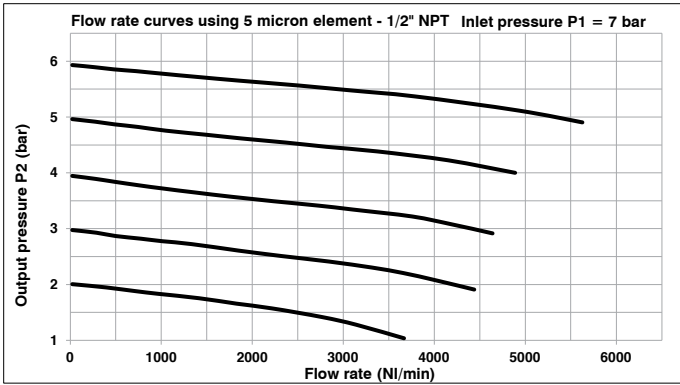
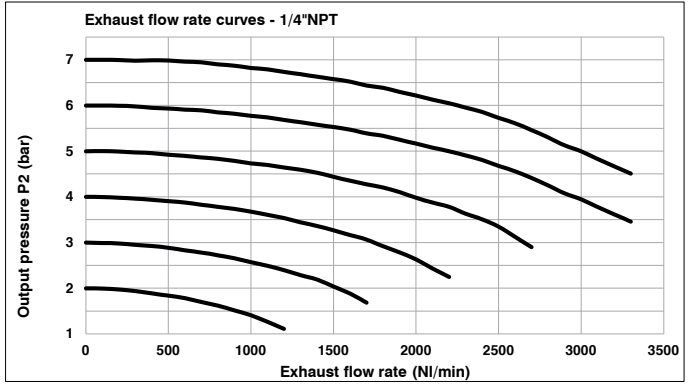
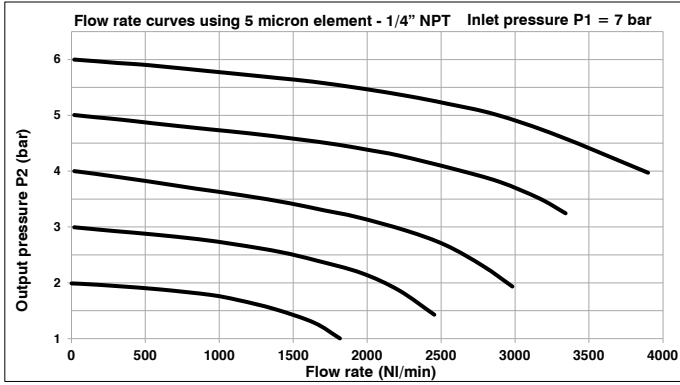
Size and connections	
3A	Size 3 - 1/4" NPT
3B	Size 3 - 1/2" NPT
4A	Size 4 - 3/4" NPT
4B	Size 4 - 1" NPT

Filter pore size	
A	5 μ m - Stainless steel AISI 316
B	20 μ m - Stainless steel AISI 316
C	50 μ m - Stainless steel AISI 316
D	5 μ m - HDPE
E	20 μ m - HDPE
F	50 μ m - HDPE

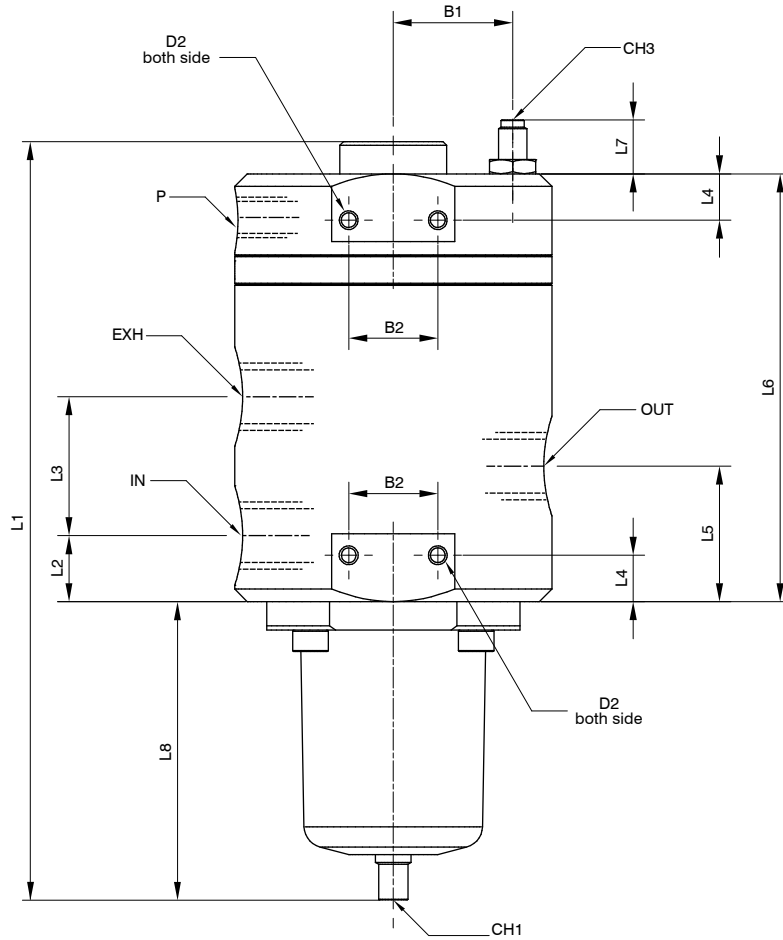
Temperature options	
	Standard (-30°C ... +80°C)
L	Low temperature (-50°C ... +80°C)
Z	Low temperature (-60°C ... +80°C)
H	Low temperature (-5°C ... +150°C)
S	Automatic drain (-5°C ... +70°C)
EF	EPDM-FDA (-40°C ... +100°C)

Example : SS173BVFBAL : Size 3 Volume filter booster, 1/2" NPT, 5 μ m element, low temperature and manual drain.

Characteristic curves (without flow regulators)

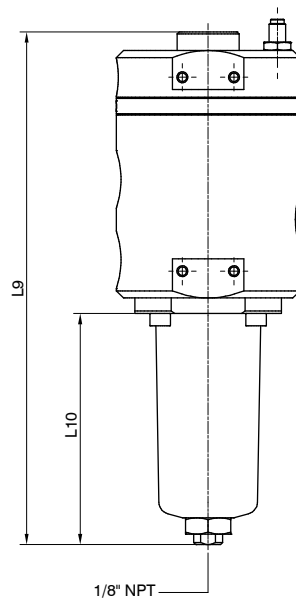


Dimensions



Model	B1	B2	D1	D2 (both side)	L1	L2	L3	L4	L5	L6	L7	L8	IN - OUT - EXH	P	CH1	CH3
SS173...	33,5	25	89	M5	213	18,5	39	13	38	120	15,5	84	1/4" NPT 1/2" NPT	1/4" NPT	5	4
SS174...	43	22	109	M6	323,5	27,5	63,5	14	59,5	175	15,5	133,5	3/4" NPT 1" NPT		8	4

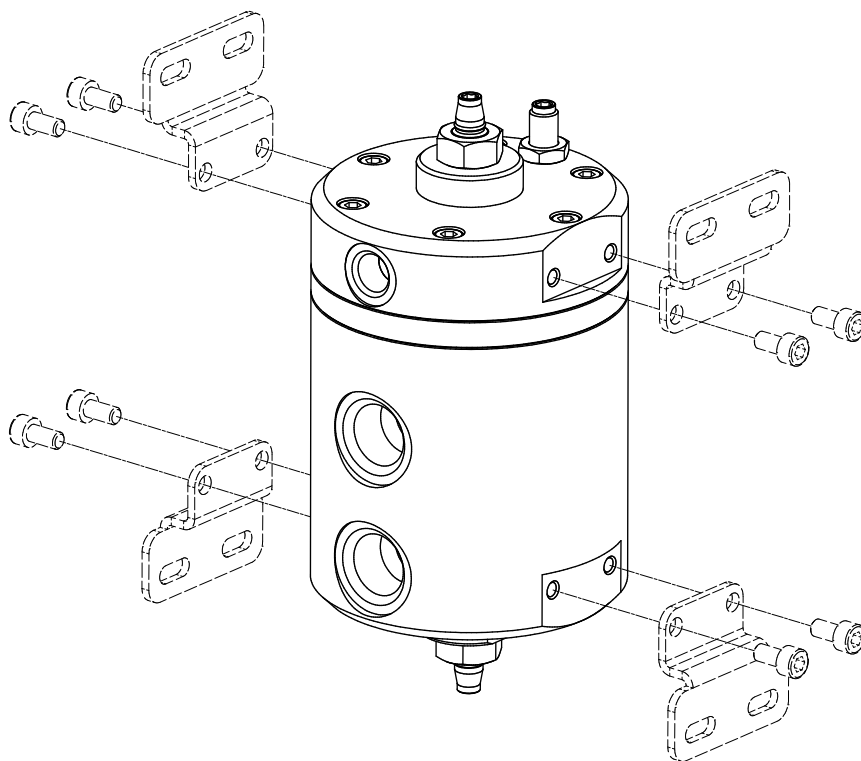
Automatic drain version (A.D.)



Model	L9	L10
SS173...	248,5	119,5
SS174...	332,5	142,5

Accessories and fixing

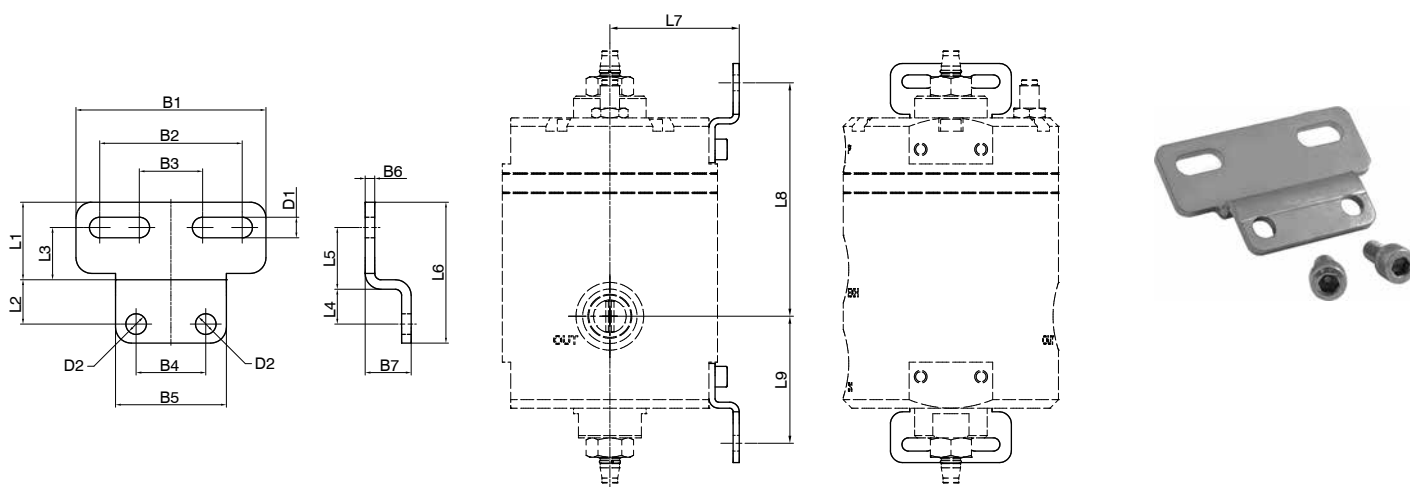
Special fixing brackets made of AISI 316L stainless steel are provided upon request. Fixing position for every need is confirmed by using one or two brackets.



Fixing bracket

SS17250

Model	
SS17250	applicable to model SS173... and SA173...
SS17350	applicable to model SS174... and SA174...



Model	L1	L2	L3	L4	L5	L6	L7	L8	L9	B1	B2	B3	B4	B5	B6	B7	D1	D2	Weight (g)
SS17250	22,5	13	15	10,5	17,5	41	53,5	96,5	52,5	50	35	20	25	34	2,5	12,5	5,5	5,5	39
SS17350	24,5	14	16,5	11	19,5	44,5	65,5	132	76	60	45	20	22	35	3	14,5	6,5	6,5	57

Valves 1/4" NPT series Steel line

PNEUMAX has wide experience and know-how to develop application-oriented solutions for the process industry, as well as a range of highperformance products aimed to improve the efficiency, productivity and quality of the process itself. Each item passed thru internal long-ride severe test procedure and after validated through years of experience. All certifications and relevant approvals are available.

Thanks to a global presence worldwide **PNEUMAX** can provide prompt assistance to any customer's specific needs. Our complete product range includes large number of products for day-by-day business. At Pneumax the focus is always on customer satisfaction.

General

Stainless steel brand series have been engineered and developed to meet process automation and Oil & Gas severe service requirements, where material performances, product reliability and health and safety issues are critical elements. As a result, Pneumax products are perfectly suitable to work with sweet gas media and corrosive / aggressive gases.

Applications for actuation:

- ESDV (emergency shut-down valve)
- HIPPS (high-integrity pressure protection system)
- High pressure turbine control
- Water service application
- Control for gas/fluid
- On-Off valve and control valve

Applications:

- Severe service operations
- Low and high temperature application
- Fire control system
- Hazardous area
- Offshore
- Refineries

All external and internal parts are AISI 316L stainless steel material in compliance with NACE standard MR0175/ISO 15156-1.

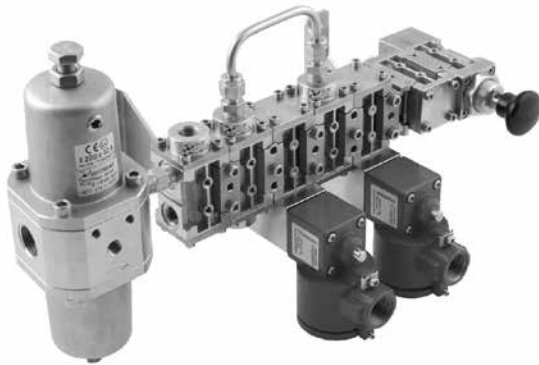
The range includes 3 and 5 way function valves, with the following functions available: pneumatic-spring valve, pneumatic-pneumatic valve, 2 position push-pull valve, push button-spring valve, push button-pneumatic return valve, tappet-spring valve, roller lever-spring valve, pneumatic valve with self-locking manual reset, pneumatic valve with self-locking manual reset inverted, key-spring valve.

Accessories which include: non return valve, uni/bidirectional flow regulator and quick exhaust valve.

Blocks dividers or shunts.

Modularity

1/4" size connection components minimum flow rate from 1000NI/min. Thanks to customized body design configuration, Pneumax can provide pneumatic manifold solution, with compact design and easy installation operation.



Example: Module with redundant solenoids valves

Construction characteristics

Body	AISI 316L stainless steel
Operators	AISI 316L stainless steel
Spool	AISI 316L stainless steel
Spring	AISI 316 stainless steel
Screws	AISI 316 stainless steel (A4-70 stainless steel)
Seals	FPM (Fluoroelastomer) NBR for low temperatures (-50°C) standard

Operating range

Fluid	Filtered air. No lubrication needed, if applied it shall be continuous. Inert Gas. Sweet gas (natural).
Operating temperature (for low temperature version L)	-50°C ... +70°C
Operating temperature (for high temperature version H)	-10°C ... +150°C
Maximum operating pressure	12 bar

Certifications available:

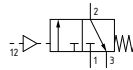
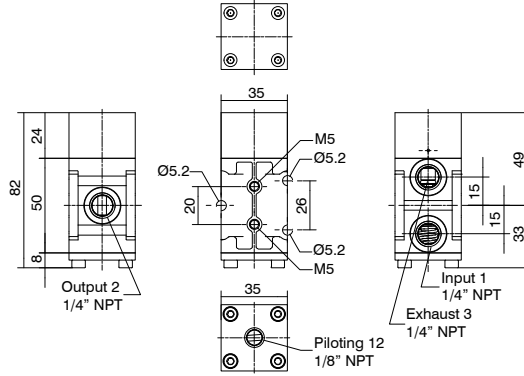


: Suitable up to SIL 3



: CU - TR 012

Pneumatic-spring valve



Minimum piloting pressure 2,5 bar
Fluid:
Filtered air. No lubrication needed, if applied it shall be continuous.
Inert Gas.
Sweet gas (natural).

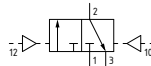
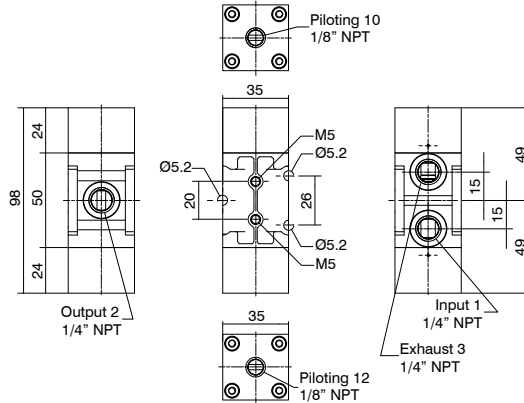
Operational characteristics

Maximum working pressure (bar)	Flow rate at 6 bar with $\Delta p=1$ (NI/min)	Connections	Pilot connections	Weight (g)	Cv	kv
12	1000	1/4" NPT	1/8" NPT	500	1,02	15,15

Ordering code
SS1432C1101

TYPE
L = Low temperature version
H = High temperature version

Pneumatic-pneumatic valve



Minimum piloting pressure 2,5 bar
Fluid:
Filtered air. No lubrication needed, if applied it shall be continuous.
Inert Gas.
Sweet gas (natural).

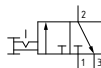
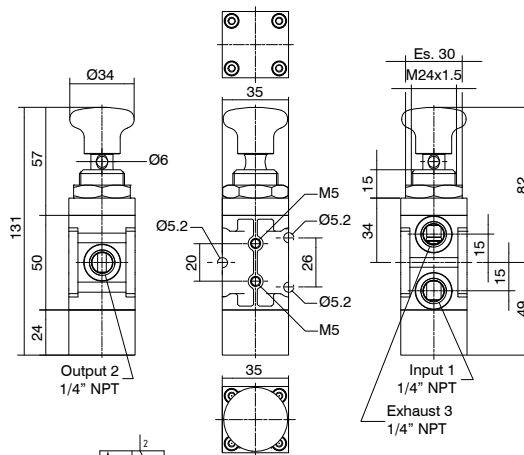
Operational characteristics

Maximum working pressure (bar)	Flow rate at 6 bar with $\Delta p=1$ (NI/min)	Connections	Pilot connections	Weight (g)	Cv	kv
12	1000	1/4" NPT	1/8" NPT	660	1,02	15,15

Ordering code
SS1432C1111

TYPE
L = Low temperature version
H = High temperature version

2 position push-pull valve



Operating force 55N.
Fluid:
Filtered air. No lubrication needed, if applied it shall be continuous.
Inert Gas.
Sweet gas (natural).

Operational characteristics

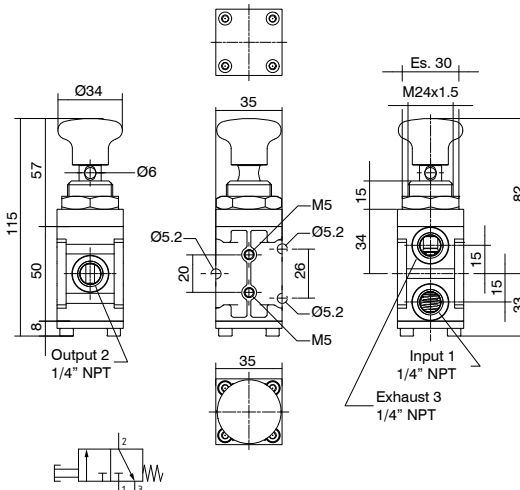
Maximum working pressure (bar)	Flow rate at 6 bar with $\Delta p=1$ (NI/min)	Connections	Weight (g)	Cv	kv
12	1000	1/4" NPT	620	1,02	15,15

Ordering code
SS1432C0802

TYPE
L = Low temperature version
H = High temperature version



► Push button-spring valve

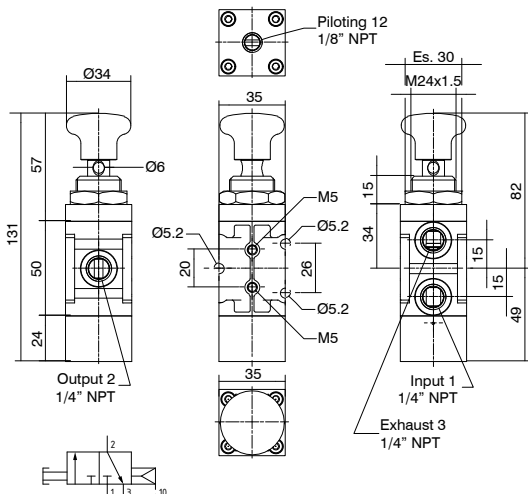


Fluid:
Filtered air. No lubrication needed, if applied it shall be continuous.
Inert Gas.
Sweet gas (natural).

Operating force at 2 bar = 55N
Operating force at 12 bar = 105N

Operational characteristics					
Maximum working pressure (bar)	Flow rate at 6 bar with $\Delta p=1$ (NI/min)	Connections	Weight (g)	Cv	kv
12	1000	1/4" NPT	470	1,02	15,15

► Push button-pneumatic return valve



Minimum piloting pressure 2,5 bar
Fluid:
Filtered air. No lubrication needed, if applied it shall be continuous.
Inert Gas.
Sweet gas (natural).

Ordering code

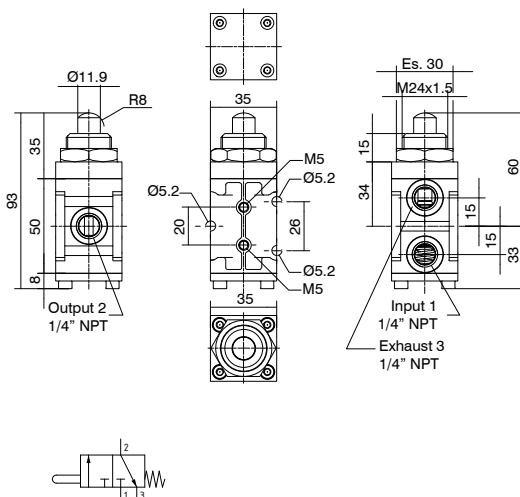
SS1432C0811

TYPE
L= Low temperature version
H= High temperature version



Operational characteristics						
Maximum working pressure (bar)	Flow rate at 6 bar with $\Delta p=1$ (NI/min)	Connections	Pilot connections	Weight (g)	Cv	kv
12	1000	1/4" NPT	1/8" NPT	600	1,02	15,15

► Tappet-spring valve



Fluid:
Filtered air. No lubrication needed, if applied it shall be continuous.
Inert Gas.
Sweet gas (natural).

Operating force at 2 bar = 55N
Operating force at 12 bar = 105N

Operational characteristics					
Maximum working pressure (bar)	Flow rate at 6 bar with $\Delta p=1$ (NI/min)	Connections	Weight (g)	Cv	kv
12	1000	1/4" NPT	450	1,02	15,15

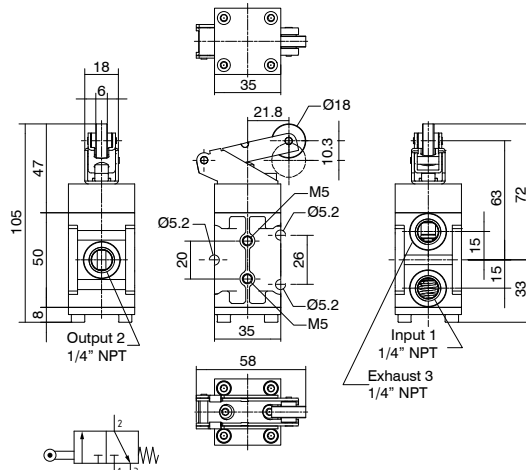
Ordering code

SS1432C0001

TYPE
L= Low temperature version
H= High temperature version

PROCESS AUTOMATION TECHNOLOGY

Roller lever-spring valve



Fluid:
Filtered air. No lubrication needed, if applied it shall be continuous.
Inert Gas.
Sweet gas (natural).

Operating force at 2 bar = 55N
Operating force at 12 bar = 105N

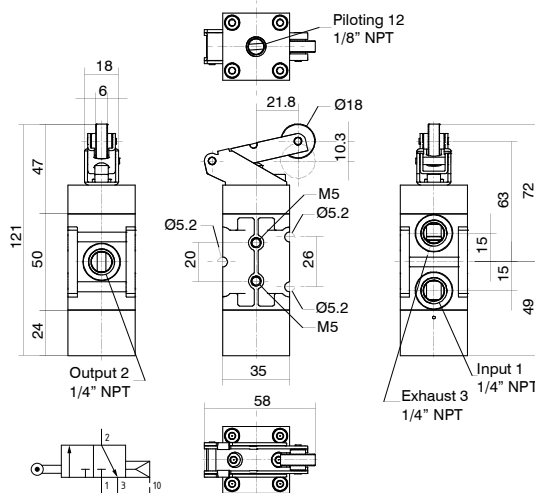
Operational characteristics

Maximum working pressure (bar)	Flow rate at 6 bar with $\Delta p=1$ (Nl/min)	Connections	Weight (g)	Cv	kv
12	1000	1/4" NPT	480	1,02	15,15

Ordering code
SS1432C0401

TYPE
L= Low temperature version
H= High temperature version

Roller lever-pneumatic valve



Fluid:
Filtered air. No lubrication needed, if applied it shall be continuous.
Inert Gas.
Sweet gas (natural).

Minimum piloting pressure 2,5 bar

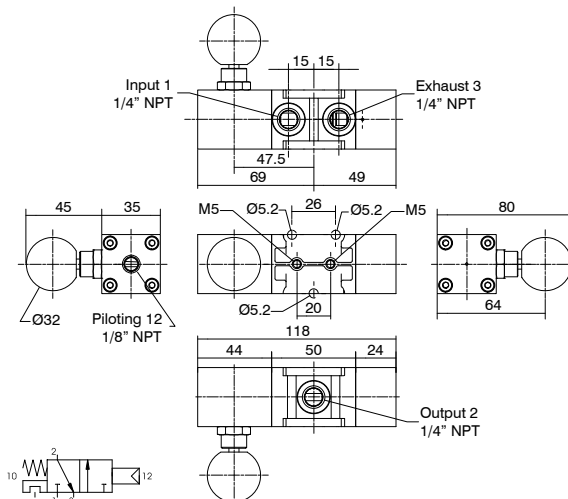
Operational characteristics

Maximum working pressure (bar)	Flow rate at 6 bar with $\Delta p=1$ (Nl/min)	Connections	Weight (g)	Cv	kv
12	1000	1/4" NPT	480	1,02	15,15

Ordering code
SS1432C0411

TYPE
L= Low temperature version
H= High temperature version

Pneumatic valve with self-locking manual reset



Minimum piloting pressure 2,5 bar
Fluid:
Filtered air. No lubrication needed, if applied it shall be continuous.
Inert Gas.
Sweet gas (natural).

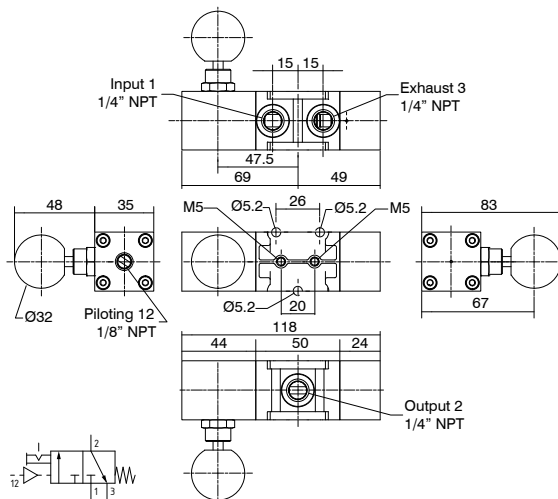
Operational characteristics

Maximum working pressure (bar)	Flow rate at 6 bar with $\Delta p=1$ (Nl/min)	Connections	Pilot connections	Weight (g)	Cv	kv
12	1000	1/4" NPT	1/8" NPT	860	1,02	15,15

Ordering code
SS1432C1114

TYPE
L= Low temperature version
H= High temperature version

Pneumatic valve with self-locking manual reset inverted



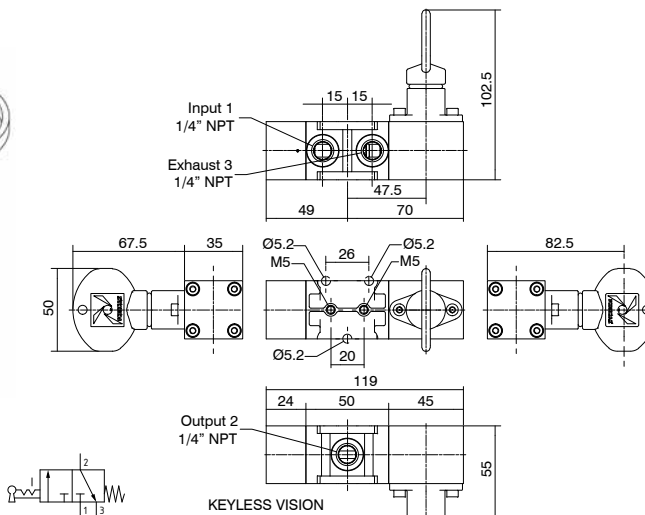
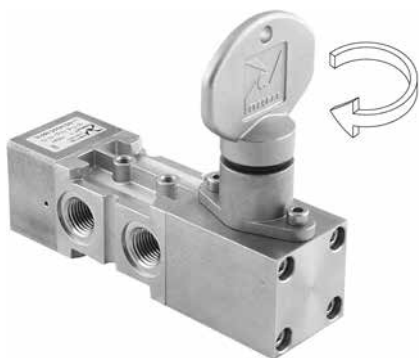
Ordering code
SS1432C1115

TYPE
L = Low temperature version
H = High temperature version

Minimum piloting pressure 2,5 bar
Fluid:
Filtered air. No lubrication needed, if applied it shall be continuous.
Inert Gas.
Sweet gas (natural).

Operational characteristics						
Maximum working pressure (bar)	Flow rate at 6 bar with $\Delta p=1$ (NI/min)	Connections	Pilot connections	Weight (g)	Cv	kv
12	1000	1/4" NPT	1/8" NPT	860	1,02	15,15

Key-spring valve stable

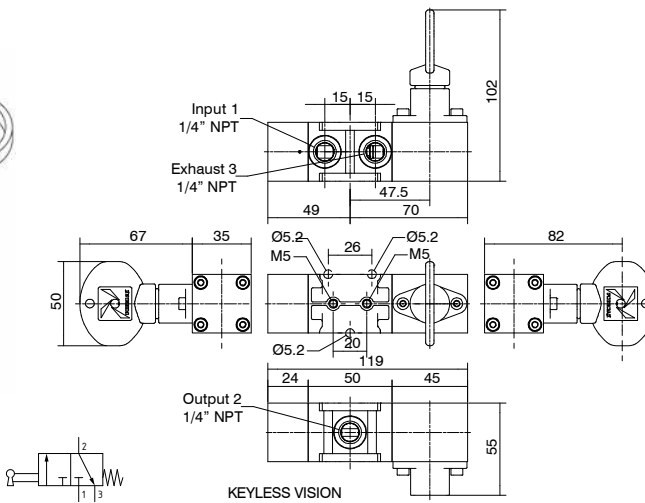


Ordering code
SS1432C1601

TYPE
L = Low temperature version
H = High temperature version

Operational characteristics					
Maximum working pressure (bar)	Flow rate at 6 bar with $\Delta p=1$ (NI/min)	Connections	Weight (g)	Cv	kv
12	1000	1/4" NPT	1020	1,02	15,15

Key-spring valve instable



Ordering code
SS1432C2601

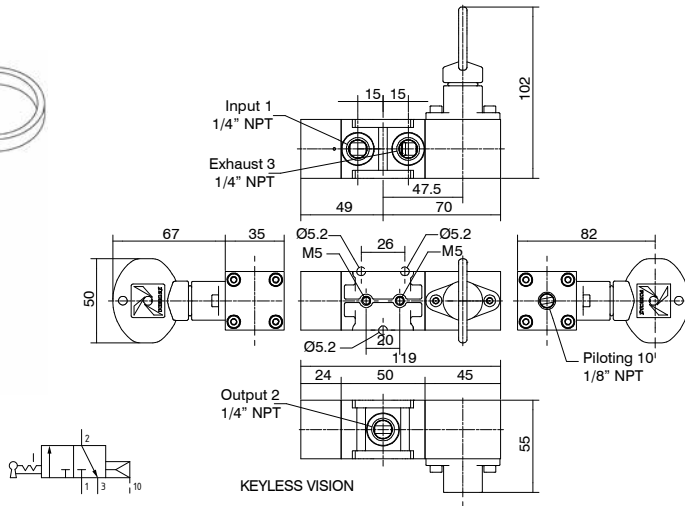
TYPE
L = Low temperature version
H = High temperature version

Operational characteristics					
Maximum working pressure (bar)	Flow rate at 6 bar with $\Delta p=1$ (NI/min)	Connections	Weight (g)	Cv	kv
12	1000	1/4" NPT	1020	1,02	15,15

Pneumatic-key valve stable



Minimum piloting pressure 2,5 bar, after the valve unlock.



KEYLESS VISION

Ordering code	
SS1432C1611	
TYPE	
<ul style="list-style-type: none"> L = Low temperature version H = High temperature version 	

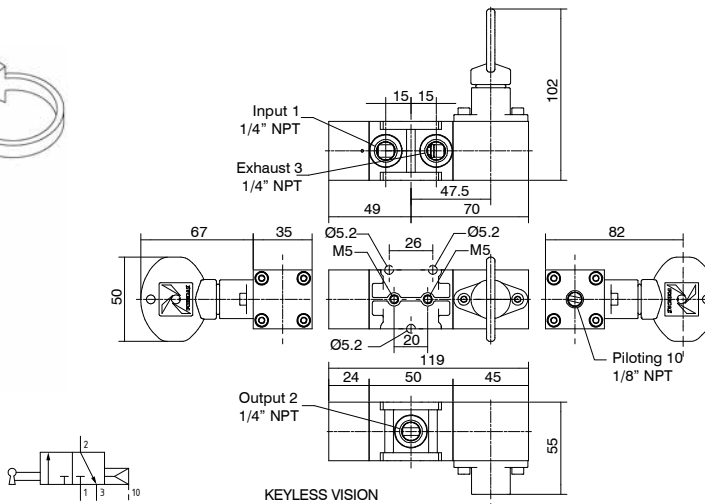
Operational characteristics

Maximum working pressure (bar)	Flow rate at 6 bar with $\Delta p=1$ (NI/min)	Connections	Weight (g)	Cv	kv
12	1000	1/4" NPT	1020	1,02	15,15

Pneumatic-key valve instable



Minimum piloting pressure 2,5 bar



KEYLESS VISION

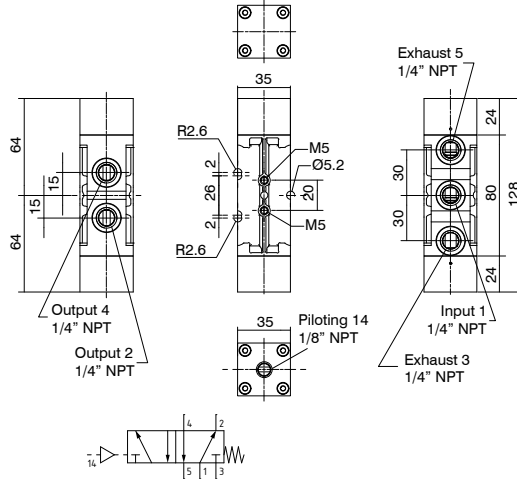
Ordering code	
SS1432C2611	
TYPE	
<ul style="list-style-type: none"> L = Low temperature version H = High temperature version 	

Operational characteristics

Maximum working pressure (bar)	Flow rate at 6 bar with $\Delta p=1$ (NI/min)	Connections	Weight (g)	Cv	kv
12	1000	1/4" NPT	1020	1,02	15,15



Pneumatic-spring valve



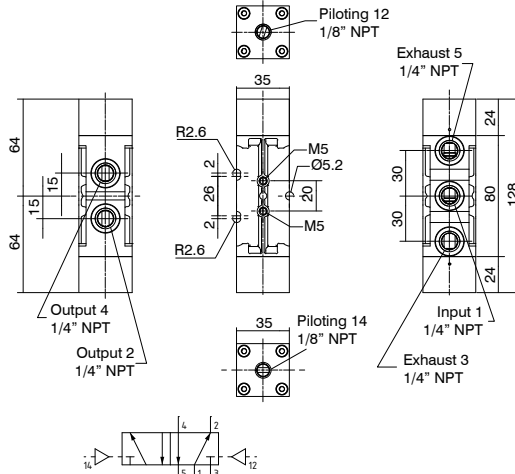
Ordering code
SS145201101

TYPE
L = Low temperature version
H = High temperature version

Minimum piloting pressure 2,5 bar
Fluid:
Filtered air. No lubrication needed, if applied it shall be continuous.
Inert Gas.
Sweet gas (natural).

Operational characteristics						
Maximum working pressure (bar)	Flow rate at 6 bar with $\Delta p=1$ (NI/min)	Connections	Pilot connections	Weight (g)	Cv	kv
12	1000	1/4" NPT	1/8" NPT	820	1,02	15,15

Pneumatic-pneumatic valve



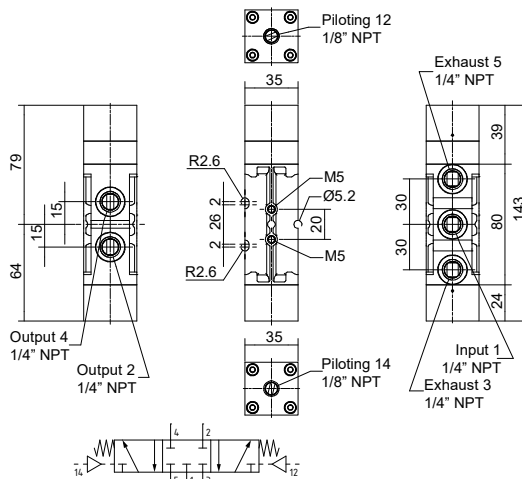
Ordering code
SS145201111

TYPE
L = Low temperature version
H = High temperature version

Minimum piloting pressure 2,5 bar
Fluid:
Filtered air. No lubrication needed, if applied it shall be continuous.
Inert Gas.
Sweet gas (natural).

Operational characteristics						
Maximum working pressure (bar)	Flow rate at 6 bar with $\Delta p=1$ (NI/min)	Connections	Pilot connections	Weight (g)	Cv	kv
12	1000	1/4" NPT	1/8" NPT	820	1,02	15,15

Pneumatic-pneumatic closed centers valve



Ordering code
SS145311111

TYPE
L = Low temperature version
H = High temperature version

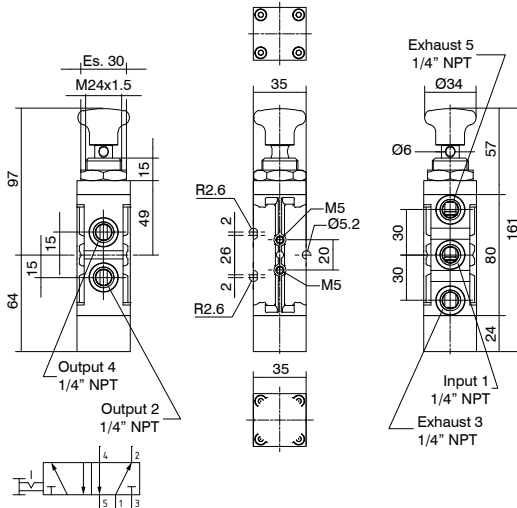
Minimum piloting pressure 2,5 bar
Fluid:
Filtered air. No lubrication needed, if applied it shall be continuous.
Inert Gas.
Sweet gas (natural).

Operational characteristics						
Maximum working pressure (bar)	Flow rate at 6 bar with $\Delta p=1$ (NI/min)	Connections	Pilot connections	Weight (g)	Cv	kv
12	1000	1/4" NPT	1/8" NPT	931	1,02	15,15

2 position push-pull valve



Operating force 55N.
Fluid:
Filtered air. No lubrication needed, if applied it shall be continuous.
Inert Gas.
Sweet gas (natural).



Ordering code
SS145200802T
TYPE
T L= Low temperature version H= High temperature version

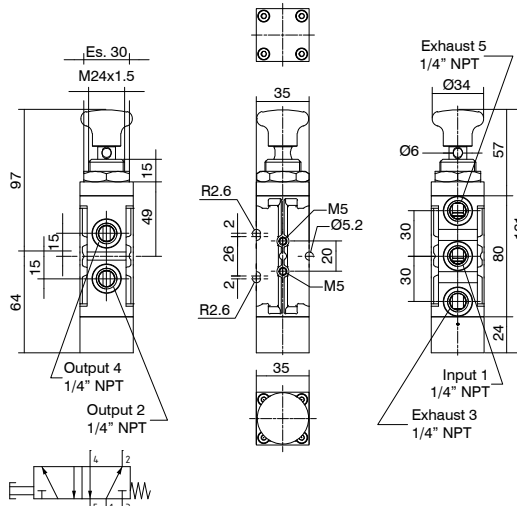
Operational characteristics

Maximum working pressure (bar)	Flow rate at 6 bar with $\Delta p=1$ (NI/min)	Connections	Weight (g)	Cv	kv
12	1000	1/4" NPT	770	1,02	15,15

Push button-spring valve



Operating force 90N
Fluid:
Filtered air. No lubrication needed, if applied it shall be continuous.
Inert Gas.
Sweet gas (natural).



Ordering code
SS145200801T
TYPE
T L= Low temperature version H= High temperature version

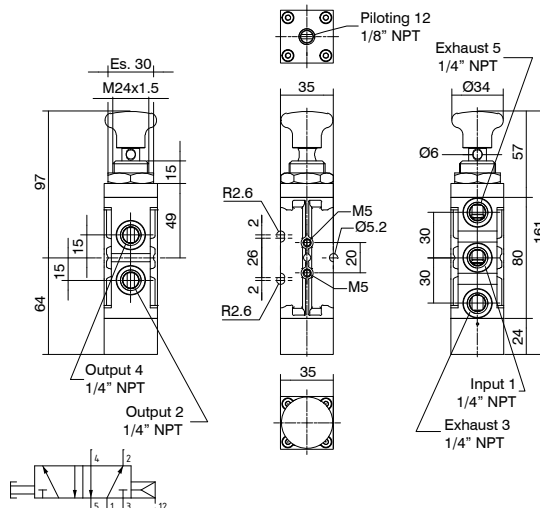
Operational characteristics

Maximum working pressure (bar)	Flow rate at 6 bar with $\Delta p=1$ (NI/min)	Connections	Weight (g)	Cv	kv
12	1000	1/4" NPT	780	1,02	15,15

Push button-pneumatic return valve



Minimum piloting pressure 2,5 bar
Fluid:
Filtered air. No lubrication needed, if applied it shall be continuous.
Inert Gas.
Sweet gas (natural).



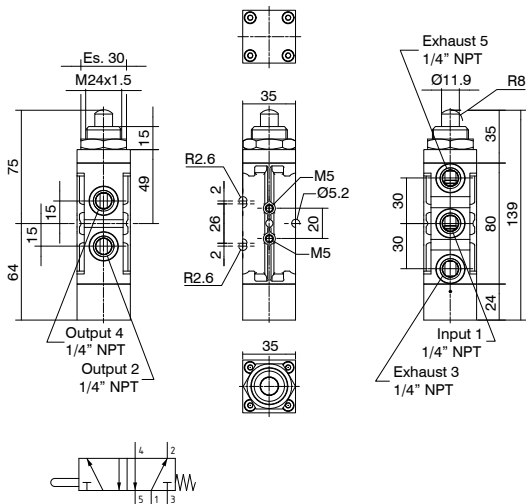
Ordering code
SS145200811T
TYPE
T L= Low temperature version H= High temperature version

Operational characteristics

Maximum working pressure (bar)	Flow rate at 6 bar with $\Delta p=1$ (NI/min)	Connections	Pilot connections	Weight (g)	Cv	kv
12	1000	1/4" NPT	1/8" NPT	780	1,02	15,15



Tappet-spring valve



Ordering code
SS145200001

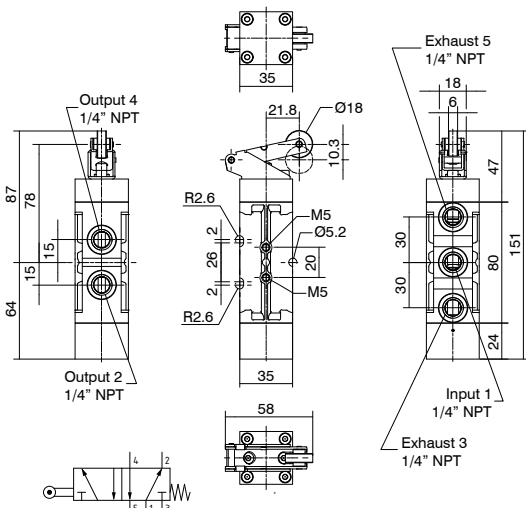
TYPE
L= Low temperature version
H= High temperature version

Ex SILV
EAC Ex

Operating force 90N
Fluid:
Filtered air. No lubrication needed, if applied it shall be continuous.
Inert Gas.
Sweet gas (natural).

Operational characteristics					
Maximum working pressure (bar)	Flow rate at 6 bar with $\Delta p=1$ (NI/min)	Connections	Weight (g)	Cv	kv
12	1000	1/4" NPT	770	1,02	15,15

Roller lever-spring valve



Ordering code
SS145200401

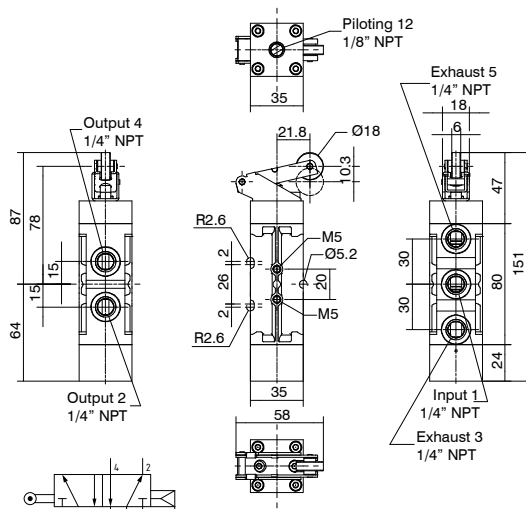
TYPE
L= Low temperature version
H= High temperature version

Ex SILV
EAC Ex

Operating force 90N
Fluid:
Filtered air. No lubrication needed, if applied it shall be continuous.
Inert Gas.
Sweet gas (natural).

Operational characteristics					
Maximum working pressure (bar)	Flow rate at 6 bar with $\Delta p=1$ (NI/min)	Connections	Weight (g)	Cv	kv
12	1000	1/4" NPT	800	1,02	15,15

Roller lever-pneumatic valve



Ordering code
SS145200411

TYPE
L= Low temperature version
H= High temperature version

Ex SILV
EAC Ex

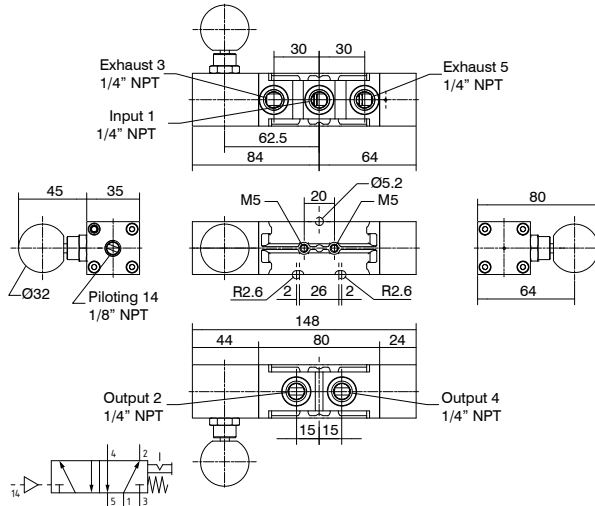
Minimum piloting pressure 2,5 bar
Fluid:
Filtered air. No lubrication needed, if applied it shall be continuous.
Inert Gas.
Sweet gas (natural).

Operational characteristics					
Maximum working pressure (bar)	Flow rate at 6 bar with $\Delta p=1$ (NI/min)	Connections	Weight (g)	Cv	kv
12	1000	1/4" NPT	800	1,02	15,15

Pneumatic valve with self-locking manual reset



Minimum piloting pressure 2,5 bar
Fluid:
Filtered air. No lubrication needed, if applied it shall be continuous.
Inert Gas.
Sweet gas (natural).



Ordering code
SS145201114T
TYPE
T L= Low temperature version H= High temperature version

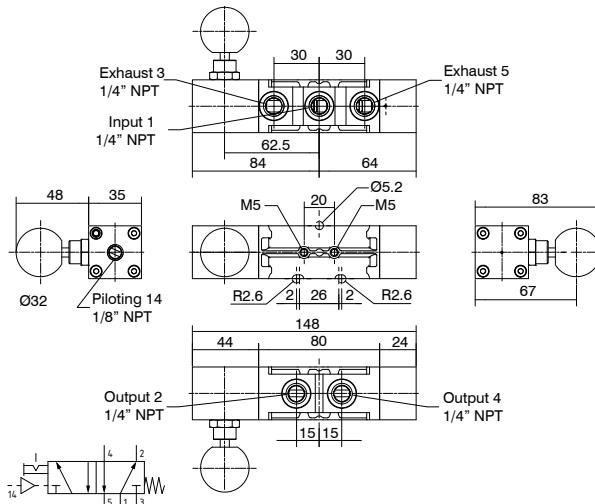
Operational characteristics

Maximum working pressure (bar)	Flow rate at 6 bar with $\Delta p=1$ (l/min)	Connections	Pilot connections	Weight (g)	Cv	kv
12	1000	1/4" NPT	1/8" NPT	1020	1,02	15,15

Pneumatic valve with self-locking manual reset inverted



Minimum piloting pressure 2,5 bar
Fluid:
Filtered air. No lubrication needed, if applied it shall be continuous.
Inert Gas.
Sweet gas (natural).

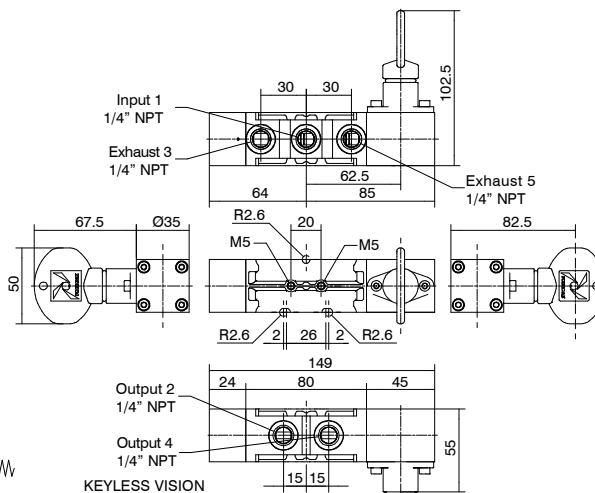
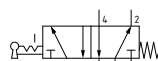


Ordering code
SS145201115T
TYPE
T L= Low temperature version H= High temperature version

Operational characteristics

Maximum working pressure (bar)	Flow rate at 6 bar with $\Delta p=1$ (l/min)	Connections	Pilot connections	Weight (g)	Cv	kv
12	1000	1/4" NPT	1/8" NPT	1020	1,02	15,15

Key-spring valve stable

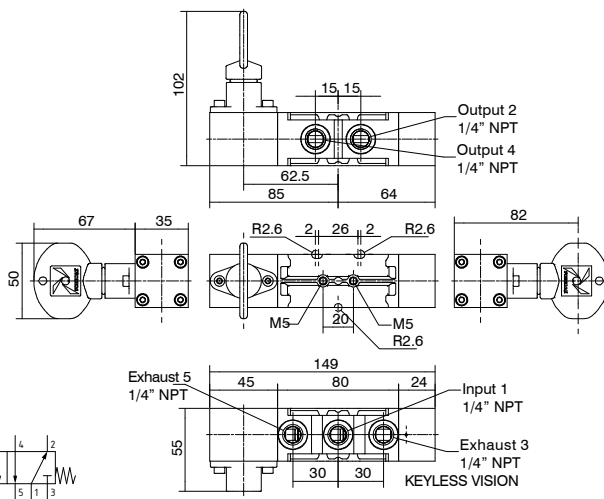
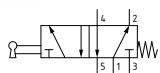


Ordering code
SS145201601T
TYPE
T L= Low temperature version H= High temperature version

Operational characteristics

Maximum working pressure (bar)	Flow rate at 6 bar with $\Delta p=1$ (l/min)	Connections	Weight (g)	Cv	kv
12	1000	1/4" NPT	1180	1,02	15,15

Key-spring valve instable



Ordering code

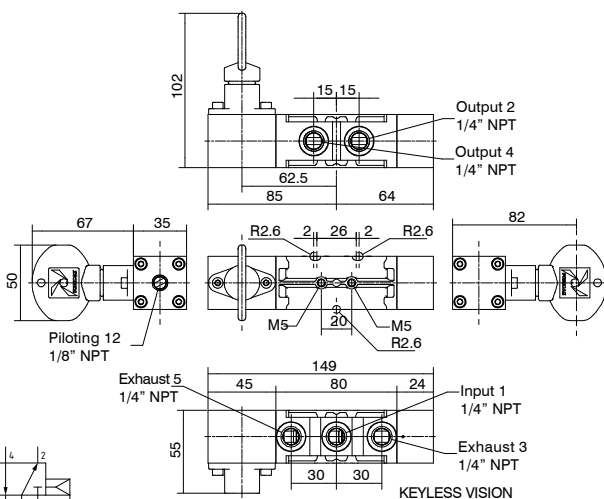
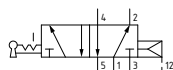
SS1452026011

TYPE

T L= Low temperature version
H= High temperature version

Operational characteristics					
Maximum working pressure (bar)	Flow rate at 6 bar with $\Delta p=1$ (NI/min)	Connections	Weight (g)	Cv	kv
12	1000	1/4" NPT	1180	1,02	15,15

Pneumatic-key valve stable



Ordering code

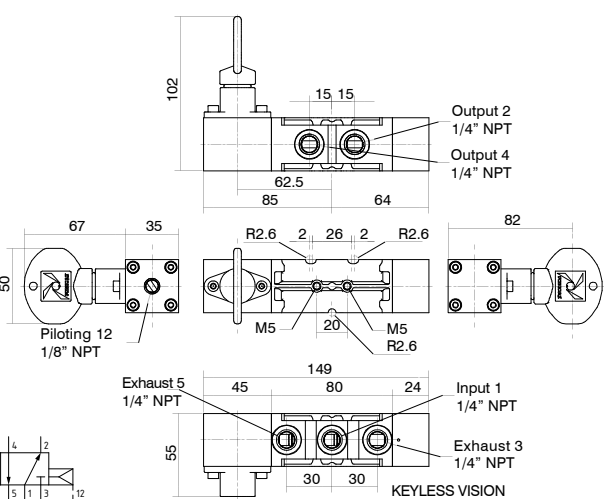
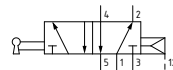
SS1452016111

TYPE

T L= Low temperature version
H= High temperature version

Operational characteristics					
Maximum working pressure (bar)	Flow rate at 6 bar with $\Delta p=1$ (NI/min)	Connections	Weight (g)	Cv	kv
12	1000	1/4" NPT	1180	1,02	15,15

Pneumatic-key valve instable



Ordering code

SS1452026111

TYPE

T L= Low temperature version
H= High temperature version

Operational characteristics					
Maximum working pressure (bar)	Flow rate at 6 bar with $\Delta p=1$ (NI/min)	Connections	Weight (g)	Cv	kv
12	1000	1/4" NPT	1180	1,02	15,15



Solenoid valves 1/4" NPT series Steel line

Stainless steel solenoid valves, complete with 30mm solenoid coil and **CE** marked have been engineered and developed to meet process automation and Oil & Gas severe service requirements, where material performances, product reliability and health and safety issues are critical elements. As a result, Pneumax products are perfectly suitable to work with sweet gas media and corrosive / aggressive gases.

All external and internal parts are AISI 316L stainless steel material in compliance with NACE standard MR0175/ISO 15156-1.

The range includes solenoid valves with 3 and 5 ways functions, complete with self feeding solenoids, designed according to the following configuration: solenoid-spring valve, solenoid-solenoid valve.

Pneumax solenoid valves have 1/4" NPT connections with 1000NI/min maximum flowrate.

Pneumax solenoid valve utmost adaptability represent one of the main features to provide customized solution and module assembly solution, since both single mounting and integrated module design are available; thanks to distinctive Pneumax valve body design.

Construction characteristics

Body	AISI 316L stainless steel
Operators	AISI 316L stainless steel
Spool	AISI 316L stainless steel
Spring	AISI 316 stainless steel
Screws	AISI 316 stainless steel (A4-70 stainless steel)
Seals	FPM (Fluoroelastomer) NBR for low temperatures (available on request)

Operating range

Fluid	Filtered air. No lubrication needed, if applied it shall be continuous. Inert Gas. Sweet gas (natural).
Operating temperature	-10°C ... +130°C
Note: The suitable operating temperature is limited by the most restrictive component, which is the pilot, regardless of the type of seals used in the valve spool.	
Maximum operating pressure	10 bar

Electrical (Electropilot) construction characteristics

Cores	Ferromagnetic stainless steel
Guide tube	Stainless steel
Springs	Stainless steel
Seals	FPM (Fluoroelastomer) NBR (available on request)
Incorporation	PA reinforced fibreglass
Wire insulation	F (Class H available on request)
Nominal voltage	24 V DC 24, 110, 220/230 V AC
Power consumption DC	10W
Power consumption AC	15VA
Electrical connection	According to DIN43650 A
IP Rating	IP65
Tolerance on voltage supply	±10%
ED continuous service	100%

Certifications available:

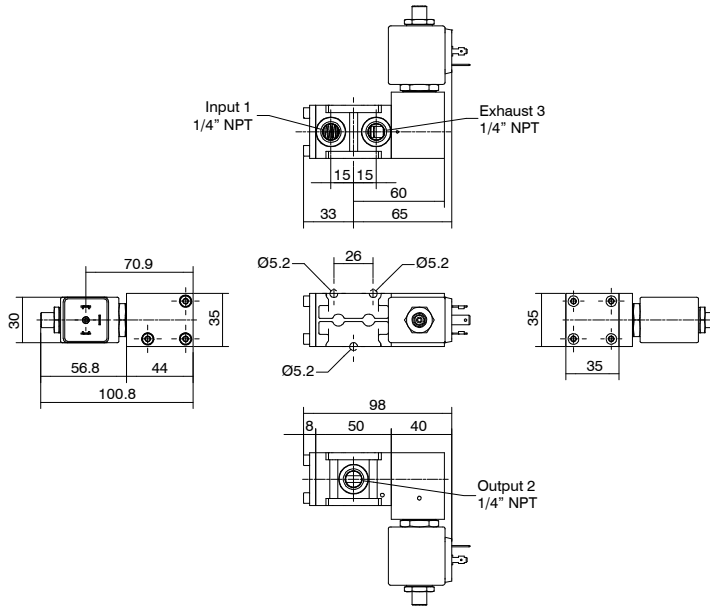
Non ATEX marked product



: Suitable up to SIL 3



Solenoid-spring valve

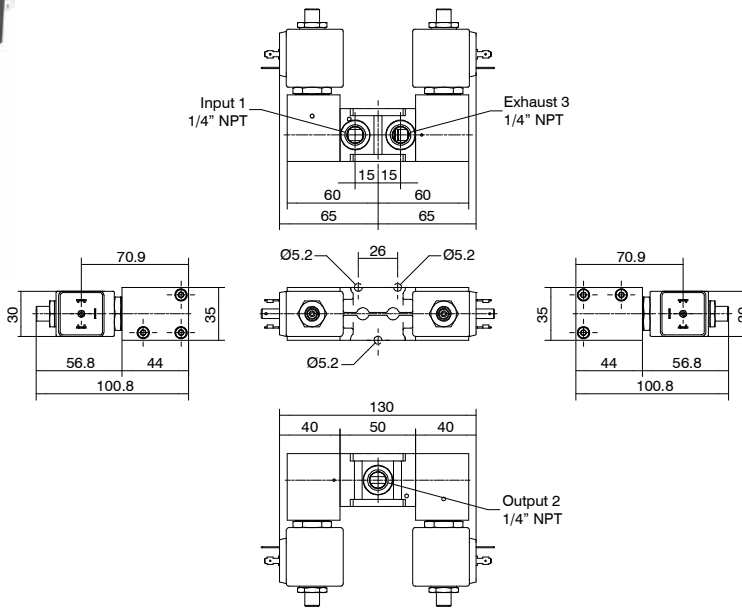


Minimum piloting pressure 2,5 bar
Fluid:
Filtered air. No lubrication needed, if applied it shall be continuous.
Inert Gas.
Sweet gas (natural).

Operational characteristics

Maximum working pressure (bar)	Flow rate at 6 bar with $\Delta p=1$ (NI/min)	Connections	Weight (g)	Cv	kv
10	1000	1/4" NPT	900	1,02	15,15

Solenoid-solenoid valve



Minimum piloting pressure 2,5 bar
Fluid:
Filtered air. No lubrication needed, if applied it shall be continuous.
Inert Gas.
Sweet gas (natural).

Operational characteristics

Maximum working pressure (bar)	Flow rate at 6 bar with $\Delta p=1$ (NI/min)	Connections	Weight (g)	Cv	kv
10	1000	1/4" NPT	1400	1,02	15,15

Ordering code

SS1432C2T01H

TENSION

0 = 12 V DC

T 1 = 24 V DC

B = 24 V AC (50/60 Hz)

E = 230 V AC (50/60 Hz)

Ordering code

SS1432C2T20H

TENSION

0 = 12 V DC

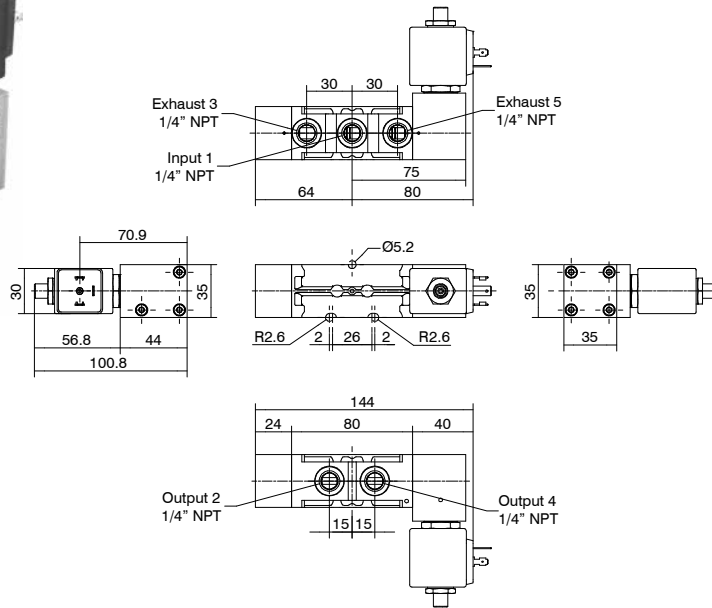
T 1 = 24 V DC

B = 24 V AC (50/60 Hz)

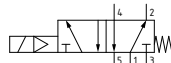
E = 230 V AC (50/60 Hz)

PROCESS AUTOMATION TECHNOLOGY

Solenoid-spring valve



Minimum piloting pressure 2,5 bar
Fluid:
Filtered air. No lubrication needed, if applied it shall be continuous.
Inert Gas.
Sweet gas (natural).



Operational characteristics

Maximum working pressure (bar)	Flow rate at 6 bar with $\Delta p=1$ (Nl/min)	Connections	Weight (g)	Cv	kv
10	1000	1/4" NPT	1200	1,02	15,15

Ordering code

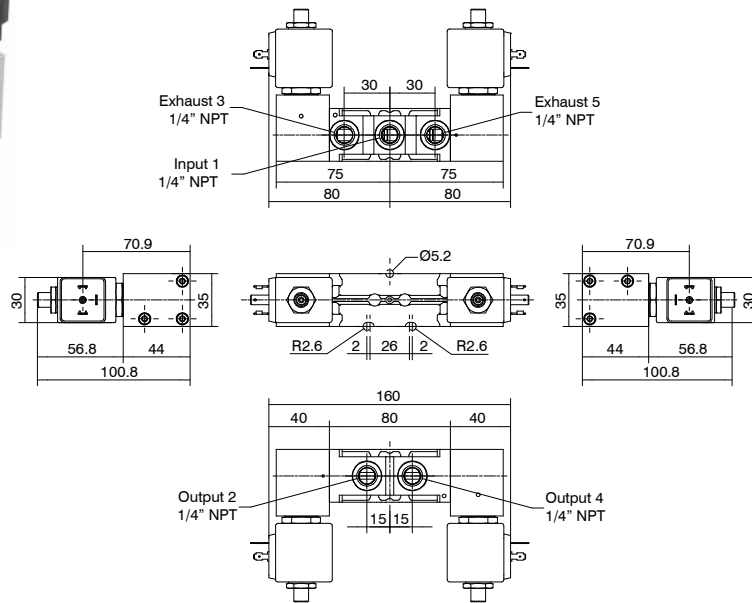
SS14520201H

TENSION

0 = 12 V DC
1 = 24 V DC
B = 24 V AC (50/60 Hz)
E = 230 V AC (50/60 Hz)



Solenoid-solenoid valve



Minimum piloting pressure 2,5 bar
Fluid:
Filtered air. No lubrication needed, if applied it shall be continuous.
Inert Gas.
Sweet gas (natural).



Operational characteristics

Maximum working pressure (bar)	Flow rate at 6 bar with $\Delta p=1$ (Nl/min)	Connections	Weight (g)	Cv	kv
10	1000	1/4" NPT	1600	1,02	15,15

Ordering code

SS145202020H

TENSION

0 = 12 V DC
1 = 24 V DC
B = 24 V AC (50/60 Hz)
E = 230 V AC (50/60 Hz)





Solenoid valves 1/4" NPT series Steel line - For safe area with IP66 stainless steel housing

Stainless steel solenoid valves, complete with IP66 rated solenoid coil in a stainless steel housing and **CE** marked have been engineered and developed to meet process automation and Oil & Gas severe service requirements, where material performances, product reliability and health and safety issues are critical elements. As a result, Pneumax products are perfectly suitable to work with sweet gas media and corrosive / aggressive gases.

All external and internal parts are AISI 316L stainless steel material in compliance with NACE standard MR0175/ISO 15156-1.

The range includes solenoid valves with 3 and 5 ways functions, complete with self feeding solenoids, designed according to the following configuration: solenoid-spring valve, solenoid-solenoid valve, solenoid valve with self-locking manual reset, solenoid valve with self-locking manual reset inverted.

Pneumax solenoid valves have 1/4" NPT connections with 1000NI/min maximum flow rate.

Pneumax solenoid valve utmost adaptability represent one of the main features to provide customized solution and module assembly solution, since both single mounting and integrated module design are available; thanks to distinctive Pneumax valve body design.

Construction characteristics

Body	AISI 316L stainless steel
Operators	AISI 316L stainless steel
Spool	AISI 316L stainless steel
Spring	AISI 316 stainless steel
Screws	AISI 316 stainless steel (A4-70 stainless steel)
Seals	NBR for low temperatures FPM (Fluoroelastomer) (available on request)

Operating range

Fluid	Filtered air. No lubrication needed, if applied it shall be continuous. Inert Gas. Sweet gas (natural).
Operating temperature	-20°C ... +70°C
Note: The suitable operating temperature is limited by the most restrictive component, which is the pilot, regardless of the type of seals used in the valve spool.	
Maximum operating pressure	10 bar

Electrical (Electropilot) construction characteristics

Housing	304 stainless steel with epoxy paint
Armour / Cores	Ferromagnetic stainless steel
Springs	Stainless steel
Seals	FPM (Fluoroelastomer)
Incorporation	PBT 30% glass load
Wire insulation	H
Nominal voltage	24 V DC 24, 110, 220 V AC
Power consumption DC	2,4W
Power consumption AC	10VA (Inrush), 5VA (Running)
Connection for cable entry	M20x1.5 (1/2" NPT available on request)
Electrical connection	Screw terminals 2 Poles 2.5 mm
IP Rating	IP66
Tolerance on voltage supply	± 10%
ED continuous service	100%

Certifications available:

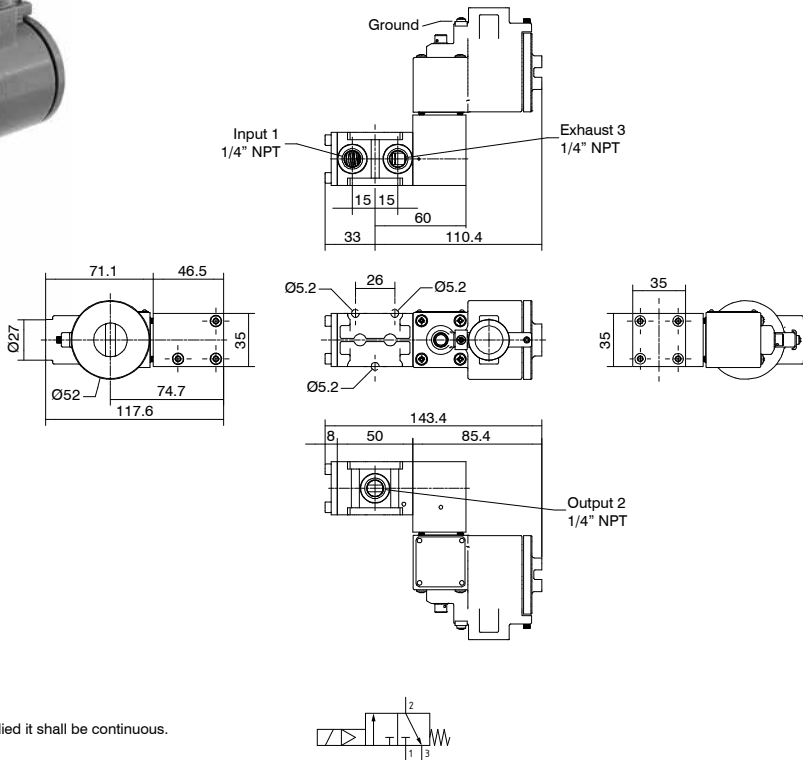
Non ATEX marked product



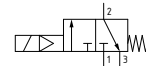
Suitable up to SIL 3



Solenoid-spring valve



Minimum piloting pressure 2,5 bar
Fluid:
Filtered air. No lubrication needed, if applied it shall be continuous.
Inert Gas.
Sweet gas (natural).



Operational characteristics

Maximum working pressure (bar)	Flow rate at 6 bar with $\Delta p=1$ (Nl/min)	Connections	Weight (g)	Cv	kv
10	1000	1/4" NPT	1500	1,02	15,15

Ordering code

SS1432CA01L

TENSION

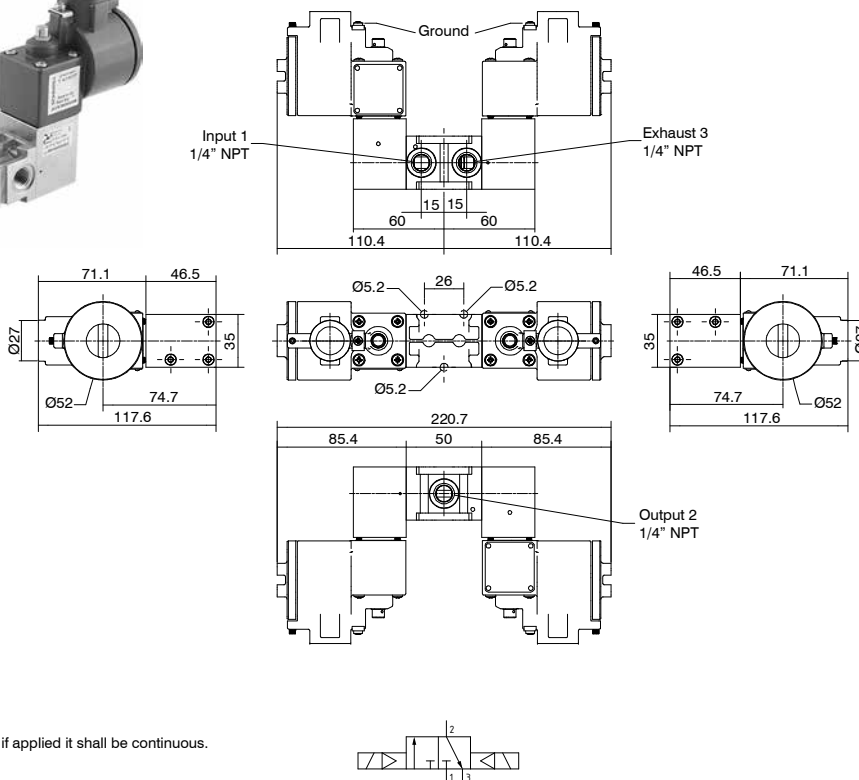
1= 24 V DC

2= 24 V AC (50/60 Hz)

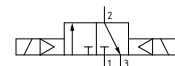
3= 110 V AC (50/60 Hz)

4= 220 V AC (50/60 Hz)

Solenoid-solenoid valve



Minimum piloting pressure 2,5 bar
Fluid:
Filtered air. No lubrication needed, if applied it shall be continuous.
Inert Gas.
Sweet gas (natural).



Operational characteristics

Maximum working pressure (bar)	Flow rate at 6 bar with $\Delta p=1$ (Nl/min)	Connections	Weight (g)	Cv	kv
10	1000	1/4" NPT	2600	1,02	15,15

Ordering code

SS1432CA01L

TENSION

1= 24 V DC

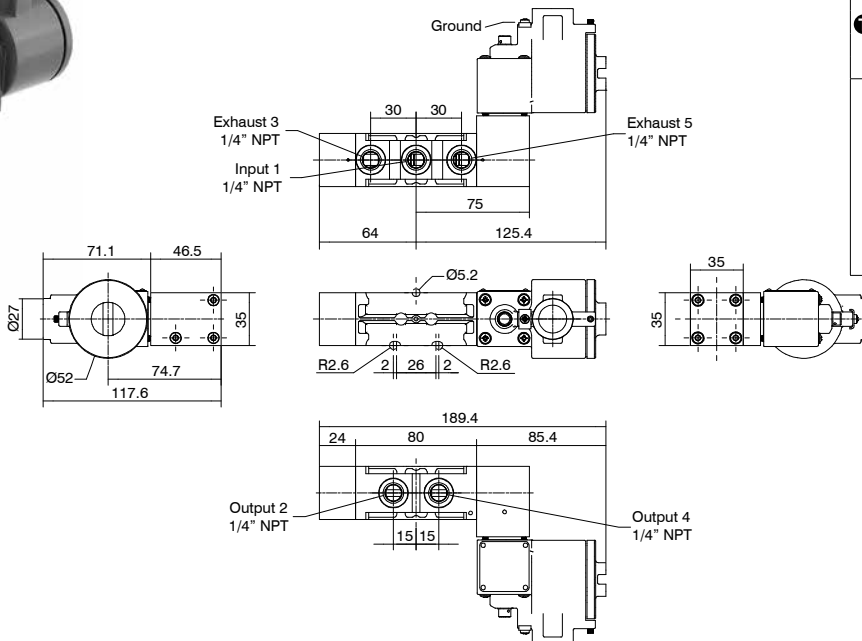
2= 24 V AC (50/60 Hz)

3= 110 V AC (50/60 Hz)

4= 220 V AC (50/60 Hz)



Solenoid-spring valve

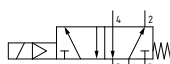


Ordering code
SS14520A01L

TENSION
1 = 24 V DC
2 = 24 V AC (50/60 Hz)
3 = 110 V AC (50/60 Hz)
4 = 220 V AC (50/60 Hz)

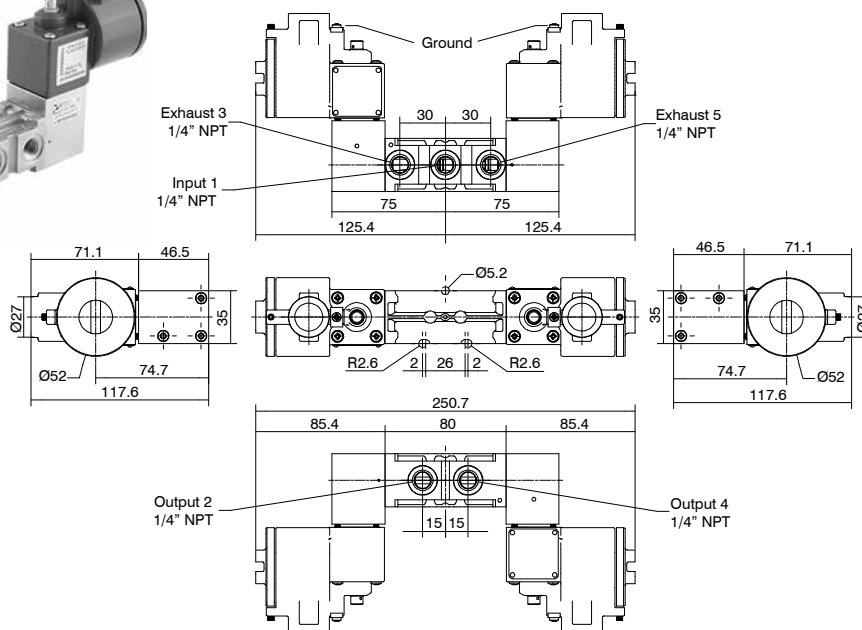
SILV
EAC

Minimum piloting pressure 2,5 bar
Fluid:
Filtered air. No lubrication needed, if applied it shall be continuous.
Inert Gas.
Sweet gas (natural).



Operational characteristics					
Maximum working pressure (bar)	Flow rate at 6 bar with $\Delta p=1$ (NI/min)	Connections	Weight (g)	Cv	kv
10	1000	1/4" NPT	1800	1,02	15,15

Solenoid-solenoid valve

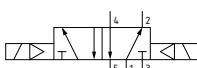


Ordering code
SS14520A01L

TENSION
1 = 24 V DC
2 = 24 V AC (50/60 Hz)
3 = 110 V AC (50/60 Hz)
4 = 220 V AC (50/60 Hz)

SILV
EAC

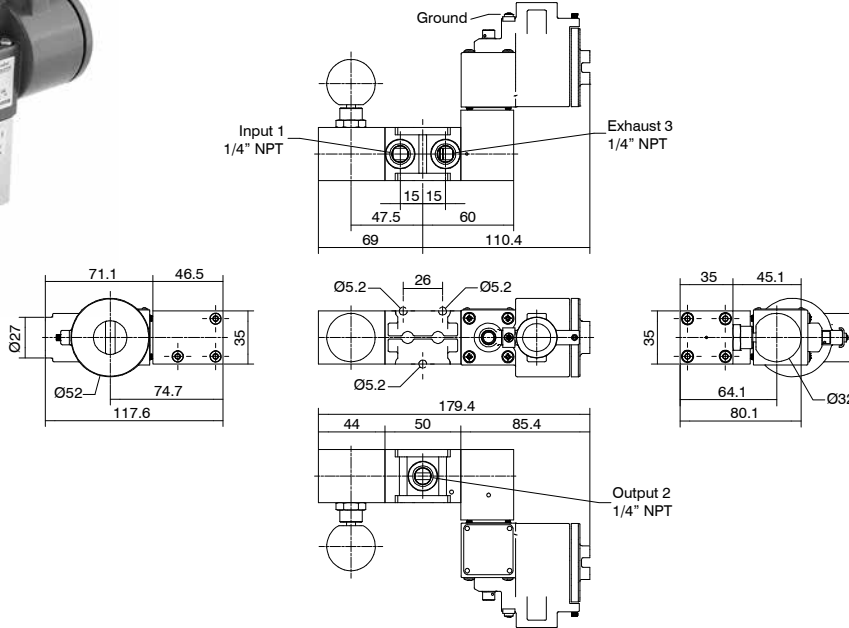
Minimum piloting pressure 2,5 bar
Fluid:
Filtered air. No lubrication needed, if applied it shall be continuous.
Inert Gas.
Sweet gas (natural).



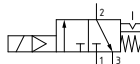
Operational characteristics					
Maximum working pressure (bar)	Flow rate at 6 bar with $\Delta p=1$ (NI/min)	Connections	Weight (g)	Cv	kv
10	1000	1/4" NPT	2750	1,02	15,15

PROCESS AUTOMATION TECHNOLOGY

Solenoid valve with self-locking manual reset



Minimum piloting pressure 2,5 bar
Fluid:
Filtered air. No lubrication needed, if applied it shall be continuous.
Inert Gas.
Sweet gas (natural).



Operational characteristics

Maximum working pressure (bar)	Flow rate at 6 bar with $\Delta p=1$ (Nl/min)	Connections	Weight (g)	Cv	kv
10	1000	1/4" NPT	1850	1,02	15,15

Ordering code

SS1432CA¹14L

TENSION

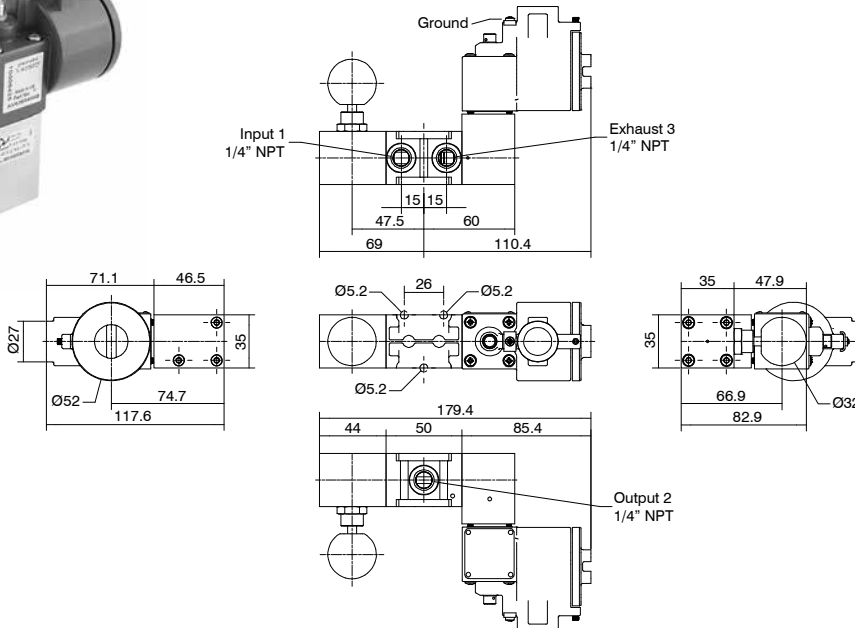
1= 24 V DC

2= 24 V AC (50/60 Hz)

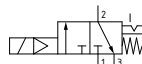
3= 110 V AC (50/60 Hz)

4= 220 V AC (50/60 Hz)

Solenoid valve with self-locking manual reset inverted



Minimum piloting pressure 2,5 bar
Fluid:
Filtered air. No lubrication needed, if applied it shall be continuous.
Inert Gas.
Sweet gas (natural).



Operational characteristics

Maximum working pressure (bar)	Flow rate at 6 bar with $\Delta p=1$ (Nl/min)	Connections	Weight (g)	Cv	kv
10	1000	1/4" NPT	1850	1,02	15,15

Ordering code

SS1432CA¹15L

TENSION

1= 24 V DC

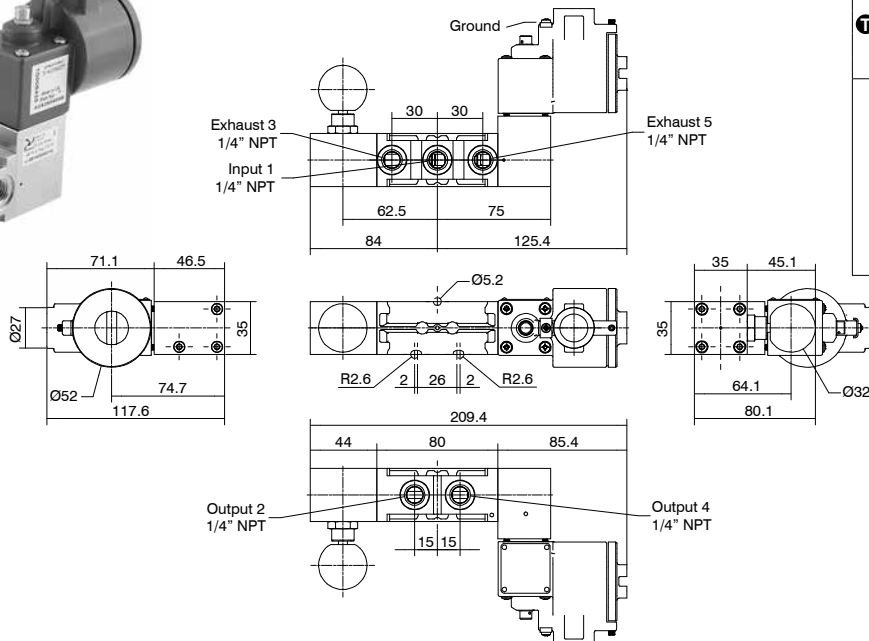
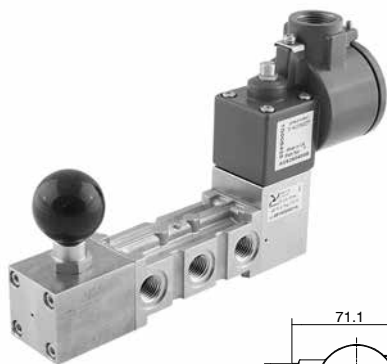
2= 24 V AC (50/60 Hz)

3= 110 V AC (50/60 Hz)

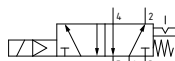
4= 220 V AC (50/60 Hz)



Solenoid valve with self-locking manual reset



Minimum piloting pressure 2,5 bar
Fluid:
Filtered air. No lubrication needed, if applied it shall be continuous.
Inert Gas.
Sweet gas (natural).



Operational characteristics

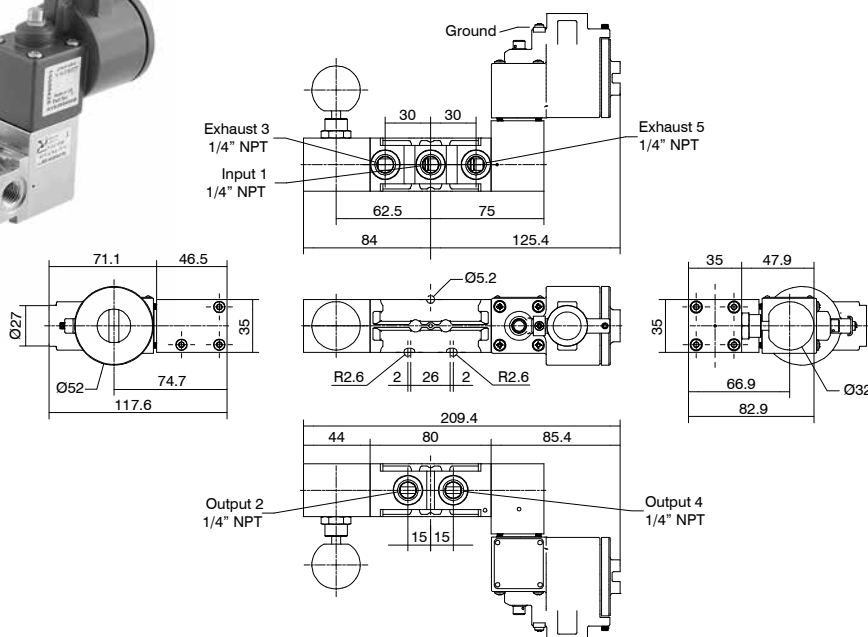
Maximum working pressure (bar)	Flow rate at 6 bar with $\Delta p=1$ (NI/min)	Connections	Weight (g)	Cv	kv
10	1000	1/4" NPT	2000	1,02	15,15

Ordering code
SS14520A114L

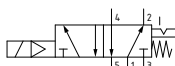
TENSION
1 = 24 V DC
2 = 24 V AC (50/60 Hz)
3 = 110 V AC (50/60 Hz)
4 = 220 V AC (50/60 Hz)

PROCESS AUTOMATION TECHNOLOGY

Solenoid valve with self-locking manual reset inverted



Minimum piloting pressure 2,5 bar
Fluid:
Filtered air. No lubrication needed, if applied it shall be continuous.
Inert Gas.
Sweet gas (natural).



Operational characteristics

Maximum working pressure (bar)	Flow rate at 6 bar with $\Delta p=1$ (NI/min)	Connections	Weight (g)	Cv	kv
10	1000	1/4" NPT	2000	1,02	15,15

Ordering code
SS14520A115L

TENSION
1 = 24 V DC
2 = 24 V AC (50/60 Hz)
3 = 110 V AC (50/60 Hz)
4 = 220 V AC (50/60 Hz)

Solenoid valves 1/4" NPT series Steel line - IP66 Exd Explosion protection

Stainless steel solenoid valves, complete with IP66 Exd Explosion protection rated solenoid coil in a stainless steel housing and CE marked have been engineered and developed to meet process automation and Oil & Gas severe service requirements, where material performances, product reliability and health and safety issues are critical elements. As a result, Pneumax products are perfectly suitable to work with sweet gas media and corrosive / aggressive gases.

All external and internal parts are AISI 316L stainless steel material in compliance with NACE standard MR0175/ISO 15156-1.

The range includes solenoid valves with 3 and 5 ways functions, complete with self feeding solenoids, designed according to the following configuration: solenoid-spring valve, solenoid-solenoid valve, solenoid valve with self-locking manual reset, solenoid valve with self-locking manual reset inverted.

Pneumax solenoid valves have 1/4" NPT connections with 1000NI/min maximum flow rate.

Pneumax solenoid valve utmost adaptability represent one of the main features to provide customized solution and module assembly solution, since both single mounting and integrated module design are available; thanks to distinctive Pneumax valve body design.

Construction characteristics

Body	AISI 316L stainless steel
Operators	AISI 316L stainless steel
Spool	AISI 316L stainless steel
Spring	AISI 316 stainless steel
Screws	AISI 316 stainless steel (A4-70 stainless steel)
Seals	NBR for low temperatures FPM (Fluoroelastomer) (available on request)

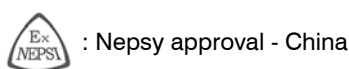
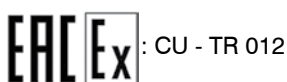
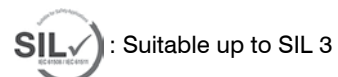
Operating range

Fluid	Filtered air. No lubrication needed, if applied it shall be continuous. Inert Gas. Sweet gas (natural).
Operating temperature for DC version	-50°C ... +70°C
Operating temperature for AC version	-50°C ... +55°C
Maximum operating pressure	10 bar

Electrical (Electropilot) construction characteristics

Housing	304 stainless steel with epoxy paint
Armour / Cores	Ferromagnetic stainless steel
Springs	Stainless steel
Seals	FPM (Fluoroelastomer)
Incorporation	PBT 30% glass load
Wire insulation	H
Nominal voltage	24 V DC 24, 110, 220/230 V AC
Power consumption DC	3W
Power consumption AC	10VA (Inrush), 5VA (Running)
Connection for cable entry	M20x1.5 (1/2" NPT available on request)
Electrical connection	Screw terminals 2 Poles 2.5 mm
IP Rating	IP66
Tolerance on voltage supply	±10%
ED continuous service	100%

Certifications available:

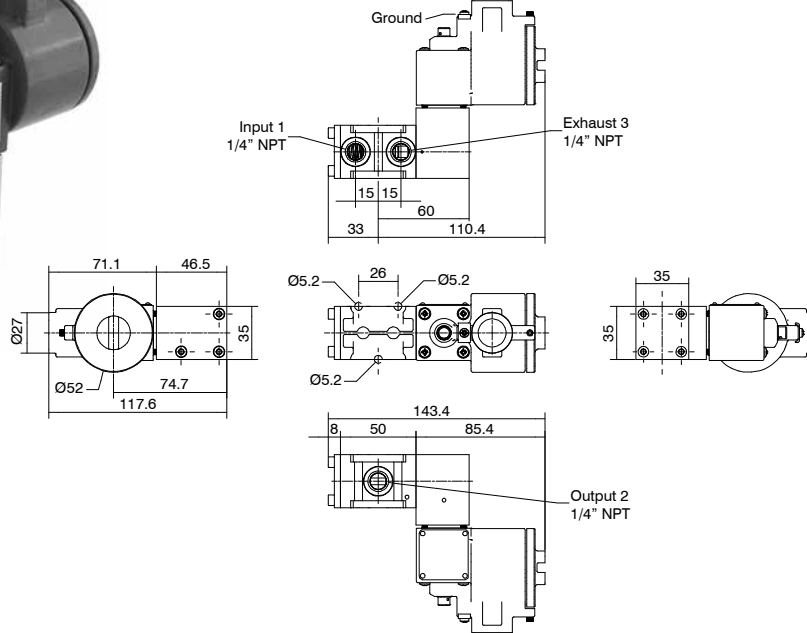


ATEX, SIL and EAC Ex: refer to products in the various sections to the catalogues.

IECEX and NEPSI: refer to Pneumatrol pilots installed upon each valve.



Solenoid-spring valve



Ordering code

SS1432CB101L

TENSION

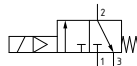
1 = 24 V DC

2 = 24 V AC (50/60 Hz)

3 = 110 V AC (50/60 Hz)

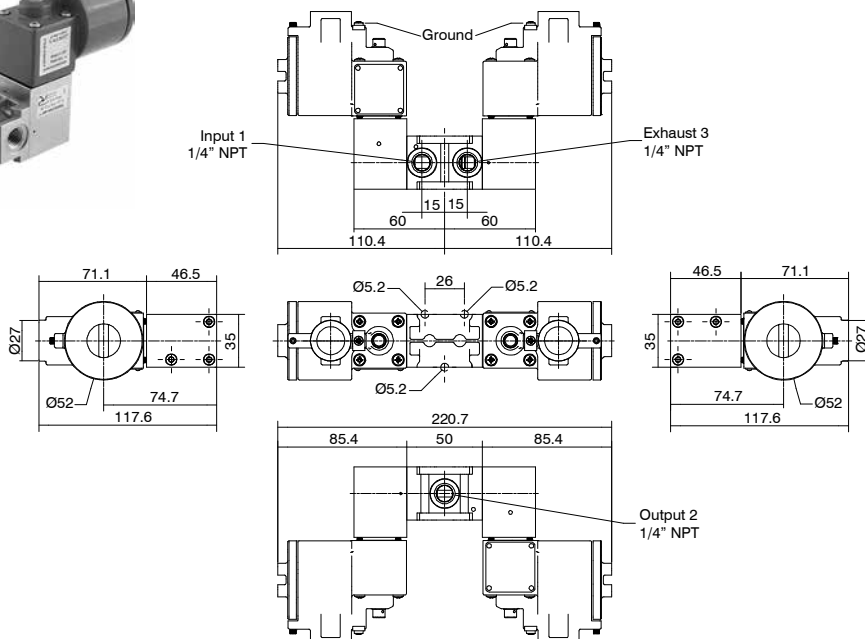
4 = 220 V AC (50/60 Hz)

Minimum piloting pressure 2,5 bar
Fluid:
Filtered air. No lubrication needed, if applied it shall be continuous.
Inert Gas.
Sweet gas (natural).



Operational characteristics					
Maximum working pressure (bar)	Flow rate at 6 bar with $\Delta p=1$ (NI/min)	Connections	Weight (g)	Cv	kv
10	1000	1/4" NPT	1500	1,02	15,15

Solenoid-solenoid valve



Ordering code

SS1432CB101L

TENSION

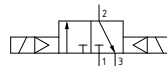
1 = 24 V DC

2 = 24 V AC (50/60 Hz)

3 = 110 V AC (50/60 Hz)

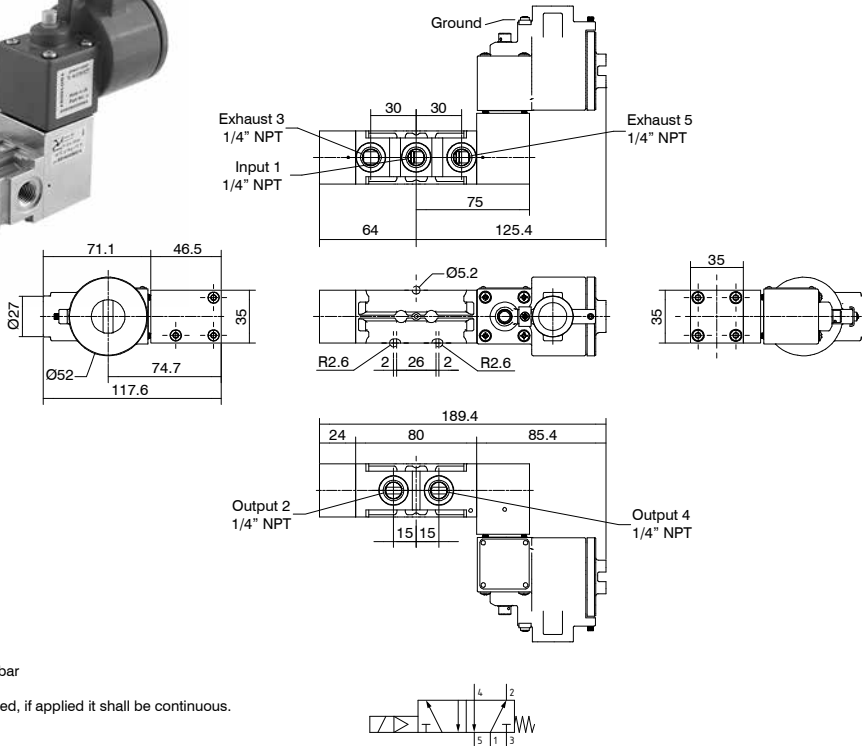
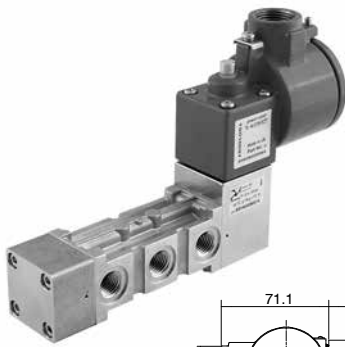
4 = 220 V AC (50/60 Hz)

Minimum piloting pressure 2,5 bar
Fluid:
Filtered air. No lubrication needed, if applied it shall be continuous.
Inert Gas.
Sweet gas (natural).

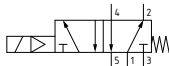


Operational characteristics					
Maximum working pressure (bar)	Flow rate at 6 bar with $\Delta p=1$ (NI/min)	Connections	Weight (g)	Cv	kv
10	1000	1/4" NPT	2600	1,02	15,15

Solenoid-spring valve



Minimum piloting pressure 2,5 bar
Fluid:
Filtered air. No lubrication needed, if applied it shall be continuous.
Inert Gas.
Sweet gas (natural).



Operational characteristics

Maximum working pressure (bar)	Flow rate at 6 bar with $\Delta p=1$ (Nl/min)	Connections	Weight (g)	Cv	kv
10	1000	1/4" NPT	1800	1,02	15,15

Ordering code

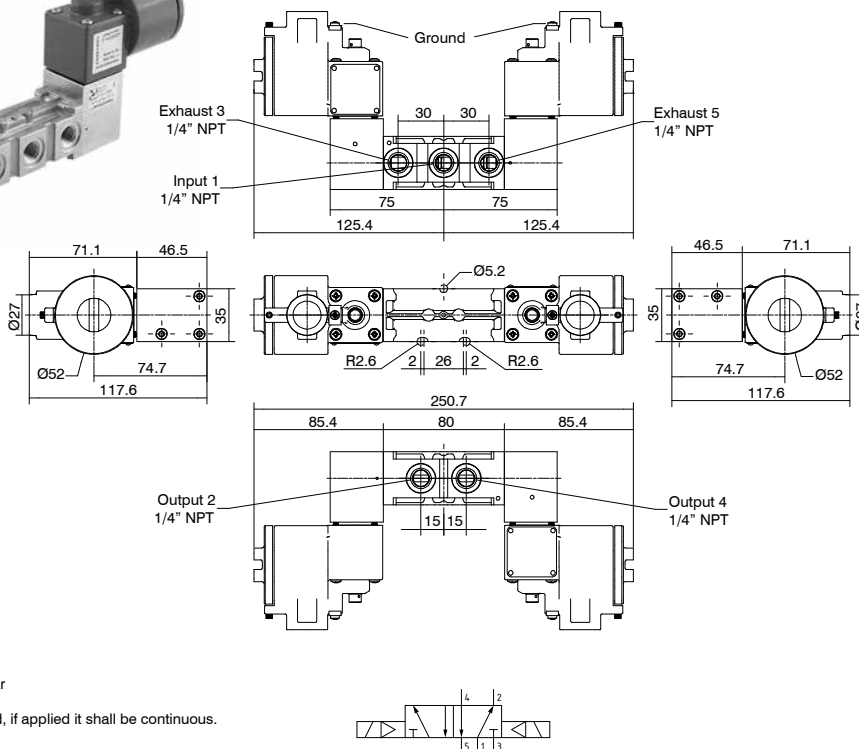
SS14520B01L

TENSION

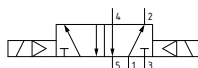
- 1= 24 V DC
- 2= 24 V AC (50/60 Hz)
- 3= 110 V AC (50/60 Hz)
- 4= 220 V AC (50/60 Hz)



Solenoid-solenoid valve



Minimum piloting pressure 2,5 bar
Fluid:
Filtered air. No lubrication needed, if applied it shall be continuous.
Inert Gas.
Sweet gas (natural).



Operational characteristics

Maximum working pressure (bar)	Flow rate at 6 bar with $\Delta p=1$ (Nl/min)	Connections	Weight (g)	Cv	kv
10	1000	1/4" NPT	2750	1,02	15,15

Ordering code

SS14520B01L

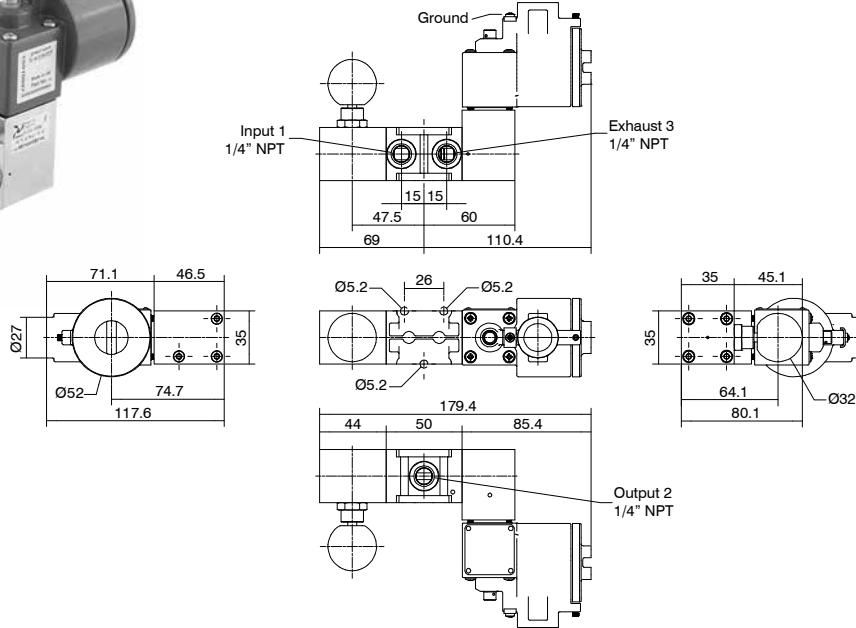
TENSION

- 1= 24 V DC
- 2= 24 V AC (50/60 Hz)
- 3= 110 V AC (50/60 Hz)
- 4= 220 V AC (50/60 Hz)

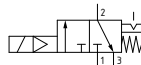




Solenoid valve with self-locking manual reset



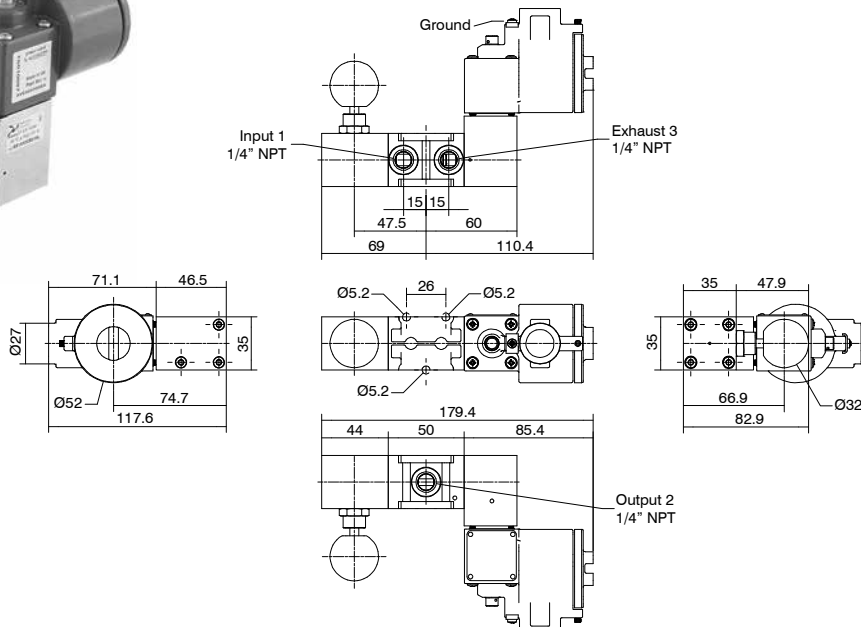
Minimum piloting pressure 2,5 bar
Fluid:
Filtered air. No lubrication needed, if applied it shall be continuous.
Inert Gas.
Sweet gas (natural).



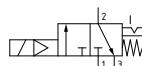
Operational characteristics

Maximum working pressure (bar)	Flow rate at 6 bar with $\Delta p=1$ (NI/min)	Connections	Weight (g)	Cv	kv
10	1000	1/4" NPT	1850	1,02	15,15

Solenoid valve with self-locking manual reset inverted



Minimum piloting pressure 2,5 bar
Fluid:
Filtered air. No lubrication needed, if applied it shall be continuous.
Inert Gas.
Sweet gas (natural).



Operational characteristics

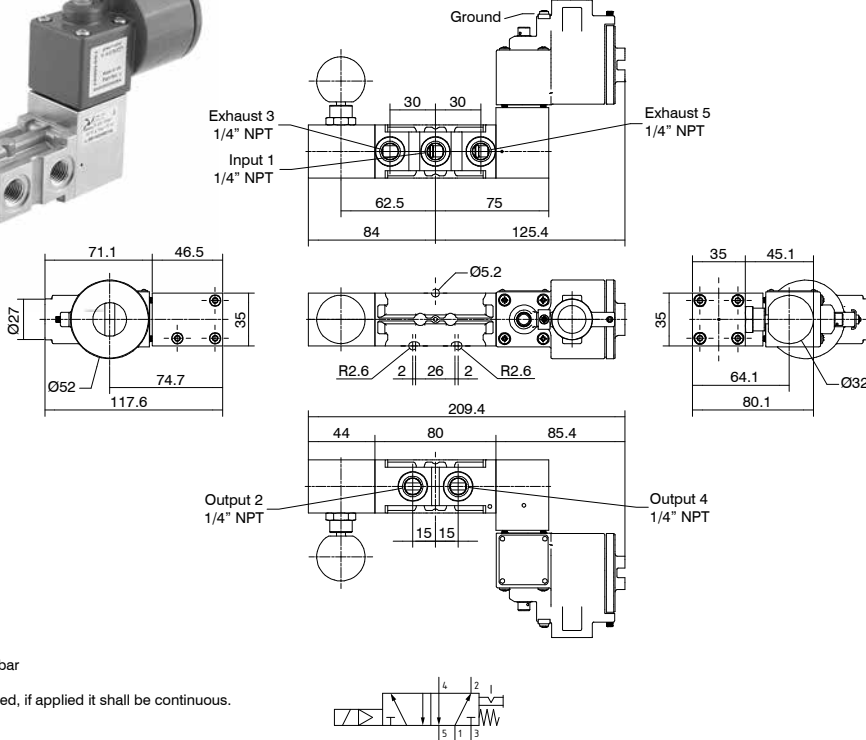
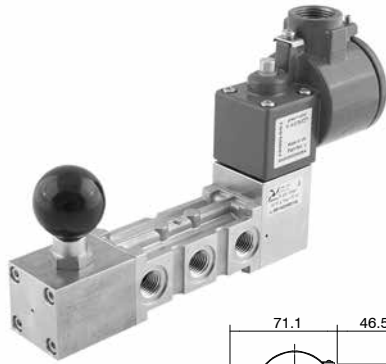
Maximum working pressure (bar)	Flow rate at 6 bar with $\Delta p=1$ (NI/min)	Connections	Weight (g)	Cv	kv
10	1000	1/4" NPT	1850	1,02	15,15

Ordering code
SS1432CB14L

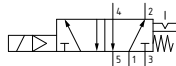
TENSION
1 = 24 V DC
2 = 24 V AC (50/60 Hz)
3 = 110 V AC (50/60 Hz)
4 = 220 V AC (50/60 Hz)

PROCESS AUTOMATION TECHNOLOGY

Solenoid valve with self-locking manual reset



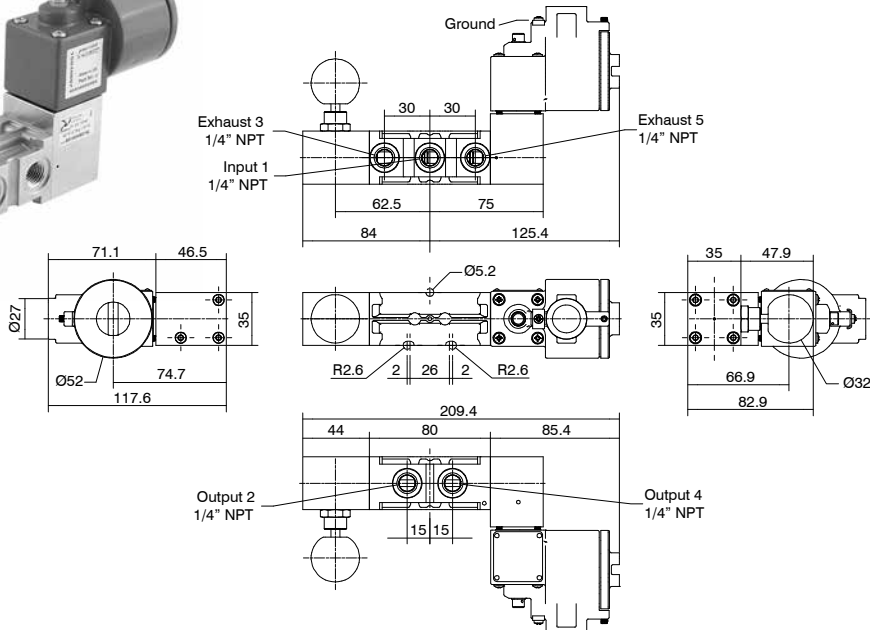
Minimum piloting pressure 2,5 bar
Fluid:
Filtered air. No lubrication needed, if applied it shall be continuous.
Inert Gas.
Sweet gas (natural).



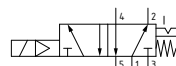
Operational characteristics

Maximum working pressure (bar)	Flow rate at 6 bar with $\Delta p=1$ (Nl/min)	Connections	Weight (g)	Cv	kv
10	1000	1/4" NPT	2000	1,02	15,15

Solenoid valve with self-locking manual reset inverted



Minimum piloting pressure 2,5 bar
Fluid:
Filtered air. No lubrication needed, if applied it shall be continuous.
Inert Gas.
Sweet gas (natural).



Operational characteristics

Maximum working pressure (bar)	Flow rate at 6 bar with $\Delta p=1$ (Nl/min)	Connections	Weight (g)	Cv	kv
10	1000	1/4" NPT	2000	1,02	15,15

Ordering code

SS14520B14L

TENSION

- 1= 24 V DC
- 2= 24 V AC (50/60 Hz)
- 3= 110 V AC (50/60 Hz)
- 4= 220 V AC (50/60 Hz)



Ordering code

SS14520B15L

TENSION

- 1= 24 V DC
- 2= 24 V AC (50/60 Hz)
- 3= 110 V AC (50/60 Hz)
- 4= 220 V AC (50/60 Hz)





Solenoid valves 1/4" NPT series Steel line - Intrinsically safe Exia

Stainless steel solenoid valves, complete with intrinsically safe Exia rated solenoid coil in and CE marked have been engineered and developed to meet process automation and Oil & Gas severe service requirements, where material performances, product reliability and health and safety issues are critical elements. As a result, Pneumax products are perfectly suitable to work with sweet gas media and corrosive / aggressive gases.

All external and internal parts are AISI 316L stainless steel material in compliance with NACE standard MR0175/ISO 15156-1.

The range includes solenoid valves with 3 and 5 ways functions, complete with self feeding solenoids, designed according to the following configuration: solenoid-spring valve, solenoid-solenoid valve, solenoid valve with self-locking manual reset, solenoid valve with self-locking manual reset inverted.

Pneumax solenoid valves have 1/4" NPT connections with 1000NI/min maximum flow rate.

Pneumax solenoid valve utmost adaptability represent one of the main features to provide customized solution and module assembly solution, since both single mounting and integrated module design are available; thanks to distinctive Pneumax valve body design.

Construction characteristics

Body	AISI 316L stainless steel
Operators	AISI 316L stainless steel
Spool	AISI 316L stainless steel
Spring	AISI 316 stainless steel
Screws	AISI 316 stainless steel (A4-70 stainless steel)
Seals	NBR for low temperatures FPM (Fluoroelastomer) (available on request)

Operating range

Fluid	Filtered air. No lubrication needed, if applied it shall be continuous. Inert Gas. Sweet gas (natural).
Operating temperature	-40°C ... +65°C
Note: The suitable operating temperature is limited by the most restrictive component, which is the pilot, regardless of the type of seals used in the valve spool.	
Maximum operating pressure	10 bar

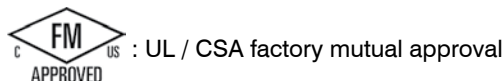
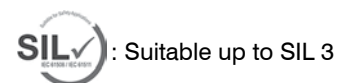
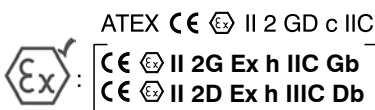
Electrical (Electropilot) construction characteristics

Housing	Zinc alloy with epoxy paint
Armour / Cores	Ferromagnetic stainless steel
Springs	Stainless steel
Seals	FPM (Fluoroelastomer)
Incorporation	PBT 30% glass load
Wire insulation	H
Guide tube	Stainless steel
Resistance	370 Ohms
Nominal voltage	24 V DC
Power consumption DC	0,4 W (Running)
Connection for cable entry	M20x1.5
Electrical connection	Screw terminals 2 Poles 2.5 mm
IP Rating	IP65
Tolerance on voltage supply	± 10%
ED continuous service	100%

Electrical specifications for intrinsically safe

U _{max} : in	31 V DC
I _{max} :	0,67 A
W _{max} : in	2,98 W

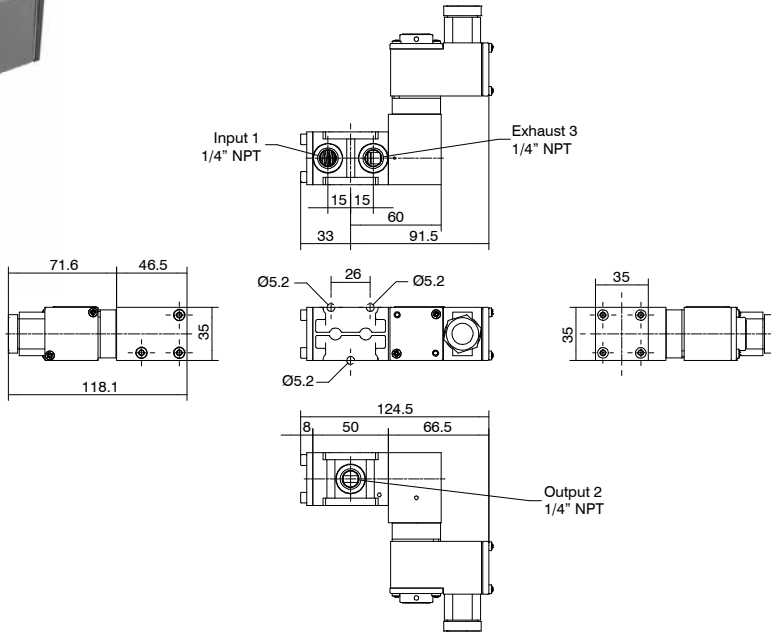
Certifications available:



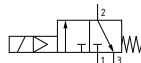
ATEX, SIL and EAC Ex: refer to products in the various sections to the catalogues.

IECEX and FM: refer to Pneumatrol pilots installed upon each valve.

Solenoid-spring valve



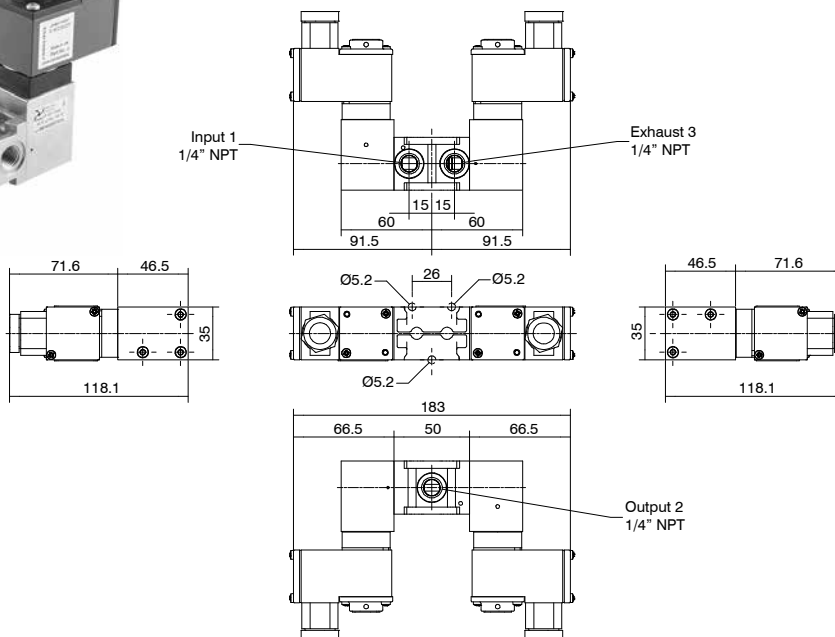
Minimum piloting pressure 2,5 bar
Fluid:
Filtered air. No lubrication needed, if applied it shall be continuous.
Inert Gas.
Sweet gas (natural).



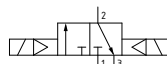
Operational characteristics

Maximum working pressure (bar)	Flow rate at 6 bar with $\Delta p=1$ (Nl/min)	Connections	Weight (g)	Cv	kv
10	1000	1/4" NPT	1200	1,02	15,15

Solenoid-solenoid valve



Minimum piloting pressure 2,5 bar
Fluid:
Filtered air. No lubrication needed, if applied it shall be continuous.
Inert Gas.
Sweet gas (natural).



Operational characteristics

Maximum working pressure (bar)	Flow rate at 6 bar with $\Delta p=1$ (Nl/min)	Connections	Weight (g)	Cv	kv
10	1000	1/4" NPT	2300	1,02	15,15

Ordering code
SS1432CC01L

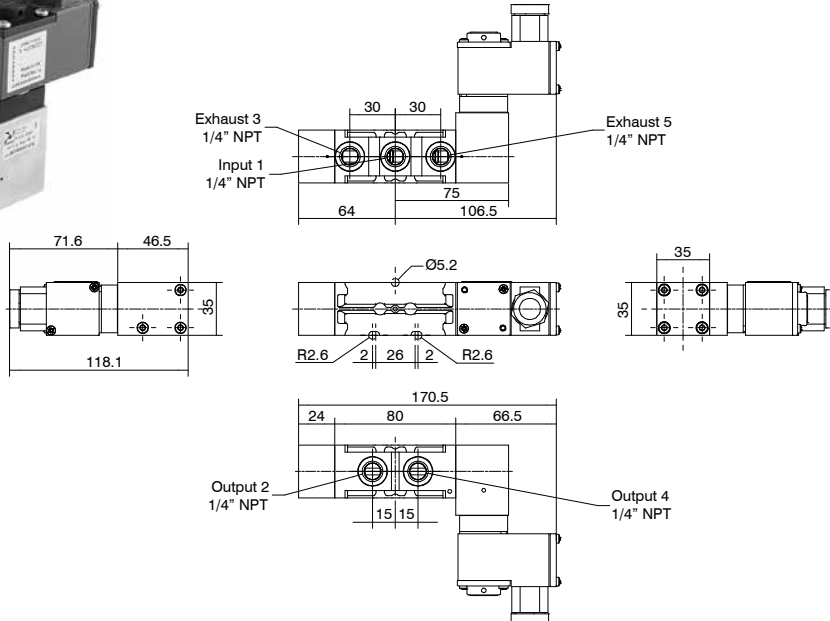
TENSION
1= 24 V DC 33 mA

Ordering code
SS1432CC01L

TENSION
1= 24 V DC 33 mA



Solenoid-spring valve



Ordering code
SS14520C^T01L

TENSION
1 = 24 V DC 33 mA

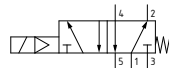
Ex **SIL**
IC 1008 EC 4101

EAC Ex

IECEX

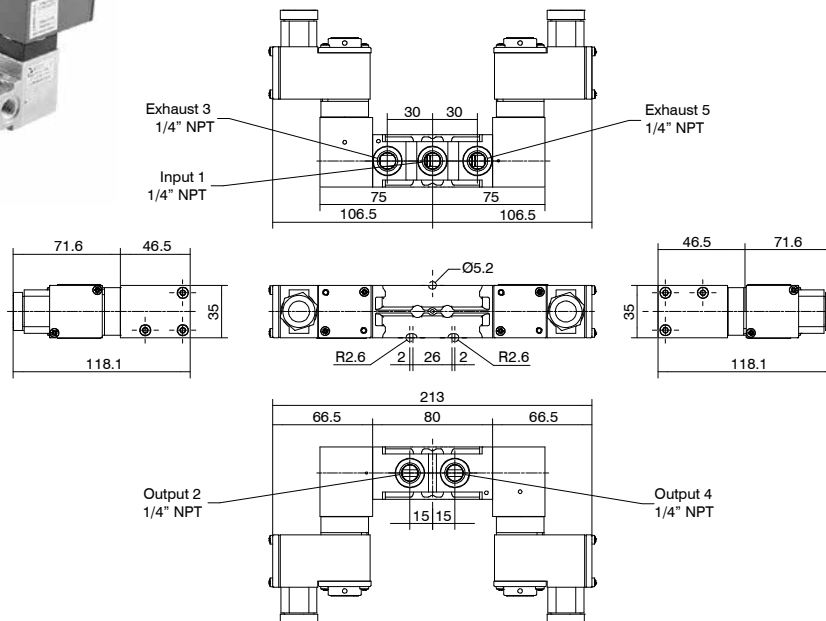
FM
C APPROVED US

Minimum piloting pressure 2,5 bar
Fluid:
Filtered air. No lubrication needed, if applied it shall be continuous.
Inert Gas.
Sweet gas (natural).



Operational characteristics					
Maximum working pressure (bar)	Flow rate at 6 bar with $\Delta p=1$ (NI/min)	Connections	Weight (g)	Cv	kv
10	1000	1/4" NPT	1500	1,02	15,15

Solenoid-solenoid valve



Ordering code
SS14520C^TC^TL

TENSION
1 = 24 V DC 33 mA

Ex **SIL**
IC 1008 EC 4101

EAC Ex

IECEX

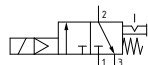
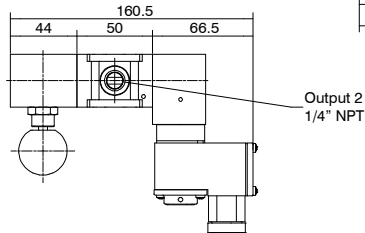
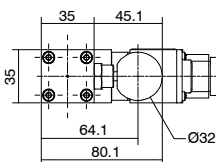
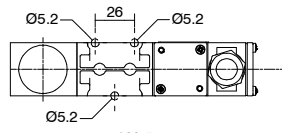
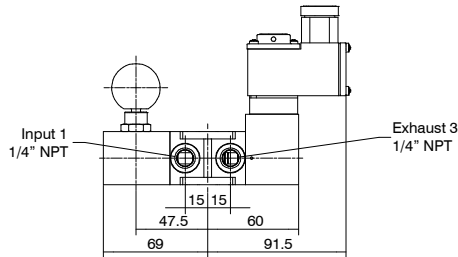
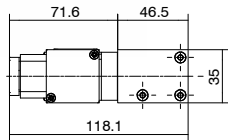
FM
C APPROVED US

Minimum piloting pressure 2,5 bar
Fluid:
Filtered air. No lubrication needed, if applied it shall be continuous.
Inert Gas.
Sweet gas (natural).



Operational characteristics					
Maximum working pressure (bar)	Flow rate at 6 bar with $\Delta p=1$ (NI/min)	Connections	Weight (g)	Cv	kv
10	1000	1/4" NPT	2150	1,02	15,15

Solenoid valve with self-locking manual reset

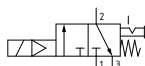
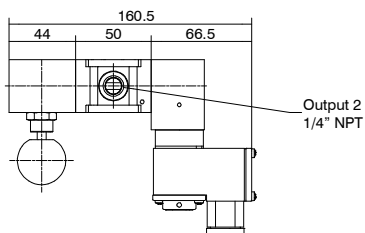
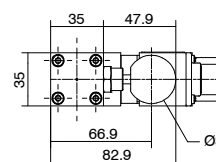
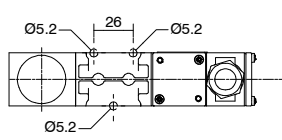
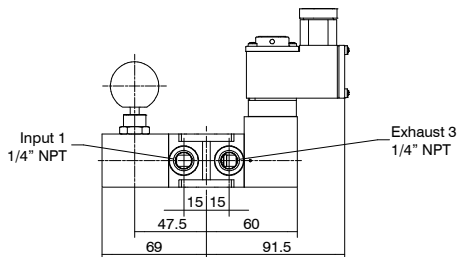
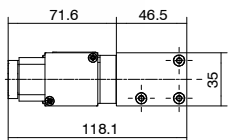


Minimum piloting pressure 2,5 bar
Fluid:
Filtered air. No lubrication needed, if applied it shall be continuous.
Inert Gas.
Sweet gas (natural).

Operational characteristics

Maximum working pressure (bar)	Flow rate at 6 bar with $\Delta p=1$ (Nl/min)	Connections	Weight (g)	Cv	kv
10	1000	1/4" NPT	1550	1,02	15,15

Solenoid valve with self-locking manual reset inverted



Minimum piloting pressure 2,5 bar
Fluid:
Filtered air. No lubrication needed, if applied it shall be continuous.
Inert Gas.
Sweet gas (natural).

Operational characteristics

Maximum working pressure (bar)	Flow rate at 6 bar with $\Delta p=1$ (Nl/min)	Connections	Weight (g)	Cv	kv
10	1000	1/4" NPT	1550	1,02	15,15

Ordering code
SS1432CC14L

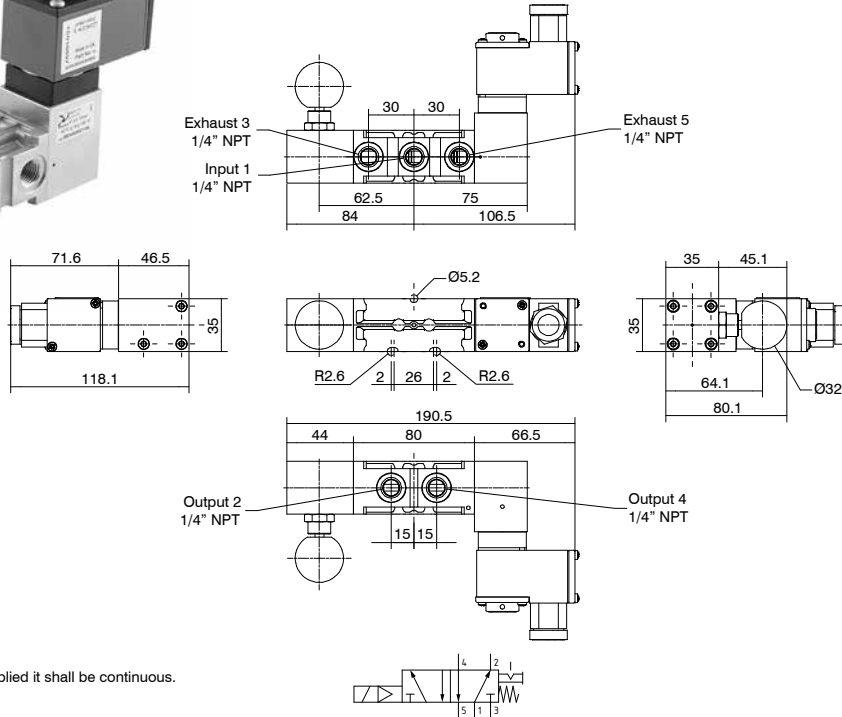
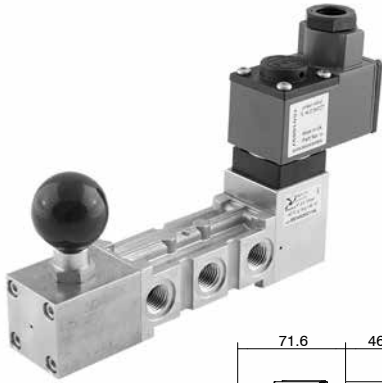
TENSION
1= 24 V DC 33 mA

Ordering code
SS1432CC15L

TENSION
1= 24 V DC 33 mA



Solenoid valve with self-locking manual reset



Minimum piloting pressure 2,5 bar
Fluid:
Filtered air. No lubrication needed, if applied it shall be continuous.
Inert Gas.
Sweet gas (natural).

Operational characteristics

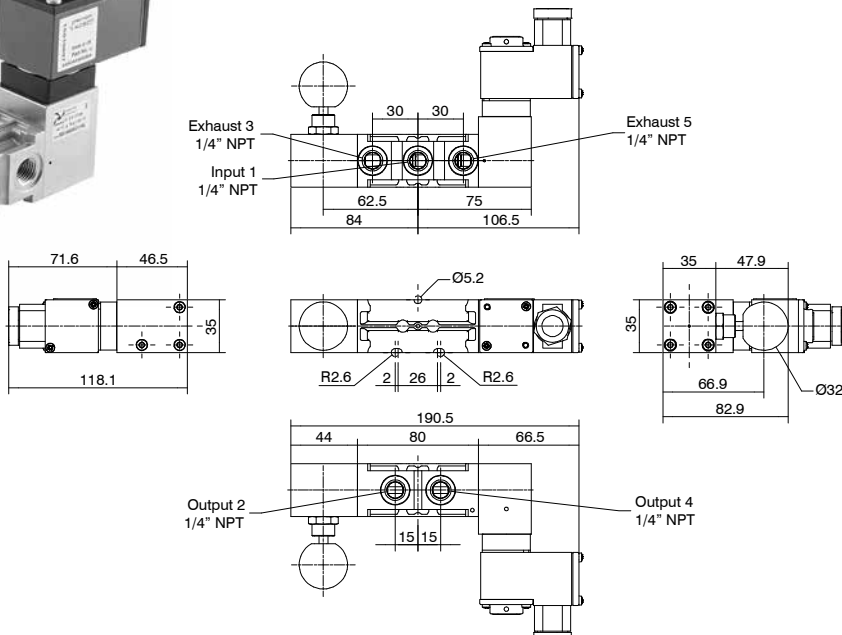
Maximum working pressure (bar)	Flow rate at 6 bar with $\Delta p=1$ (NI/min)	Connections	Weight (g)	Cv	kv
10	1000	1/4" NPT	1700	1,02	15,15

Ordering code
SS14520C14L

TENSION
1 = 24 V DC 33 mA

PROCESS AUTOMATION TECHNOLOGY

Solenoid valve with self-locking manual reset inverted



Minimum piloting pressure 2,5 bar
Fluid:
Filtered air. No lubrication needed, if applied it shall be continuous.
Inert Gas.
Sweet gas (natural).

Operational characteristics

Maximum working pressure (bar)	Flow rate at 6 bar with $\Delta p=1$ (NI/min)	Connections	Weight (g)	Cv	kv
10	1000	1/4" NPT	1700	1,02	15,15

Ordering code
SS14520C15L

TENSION
1 = 24 V DC 33 mA



Solenoid valves 1/4" NPT series Steel line - Intrinsically safe Exia with IP66 steel housing

Stainless steel solenoid valves, complete with intrinsically safe Exia rated solenoid coil in and **CC** marked have been engineered and developed to meet process automation and Oil & Gas severe service requirements, where material performances, product reliability and health and safety issues are critical elements. As a result, Pneumax products are perfectly suitable to work with sweet gas media and corrosive / aggressive gases.

All external and internal parts are AISI 316L stainless steel material in compliance with NACE standard MR0175/ISO 15156-1.

The range includes solenoid valves with 3 and 5 ways functions, complete with self feeding solenoids, designed according to the following configuration: solenoid-spring valve, solenoid-solenoid valve, solenoid valve with self-locking manual reset, solenoid valve with self-locking manual reset inverted.

Pneumax solenoid valves have 1/4" NPT connections with 1000NI/min maximum flow rate.

Pneumax solenoid valve utmost adaptability represent one of the main features to provide customized solution and module assembly solution, since both single mounting and integrated module design are available; thanks to distinctive Pneumax valve body design.

Construction characteristics

Body	AISI 316L stainless steel
Operators	AISI 316L stainless steel
Spool	AISI 316L stainless steel
Spring	AISI 316 stainless steel
Screws	AISI 316 stainless steel (A4-70 stainless steel)
Seals	NBR for low temperatures FPM (Fluoroelastomer) (available on request)

Operating range

Fluid	Filtered air. No lubrication needed, if applied it shall be continuous. Inert Gas. Sweet gas (natural).
Operating temperature	-40°C ... +65°C

Note: The suitable operating temperature is limited by the most restrictive component, which is the pilot, regardless of the type of seals used in the valve spool.

Maximum operating pressure	10 bar
----------------------------	--------

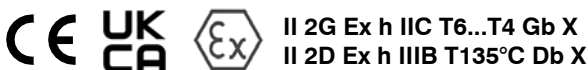
Electrical (Electropilot) construction characteristics

Housing	304 stainless steel with epoxy paint
Armour / Cores	Ferromagnetic stainless steel
Springs	Stainless steel
Seals	FPM (Fluoroelastomer)
Incorporation	PBT 30% glass load
Wire insulation	H
Guide tube	Stainless steel
Resistance	370 Ohms
Nominal voltage	24 V DC
Power consumption DC	0,4 W (Running)
Connection for cable entry	M20x1.5
Electrical connection	Screw terminals 2 Poles 2.5 mm
IP Rating	IP66
Tolerance on voltage supply	±10%
ED continuous service	100%

Electrical specifications for intrinsically safe

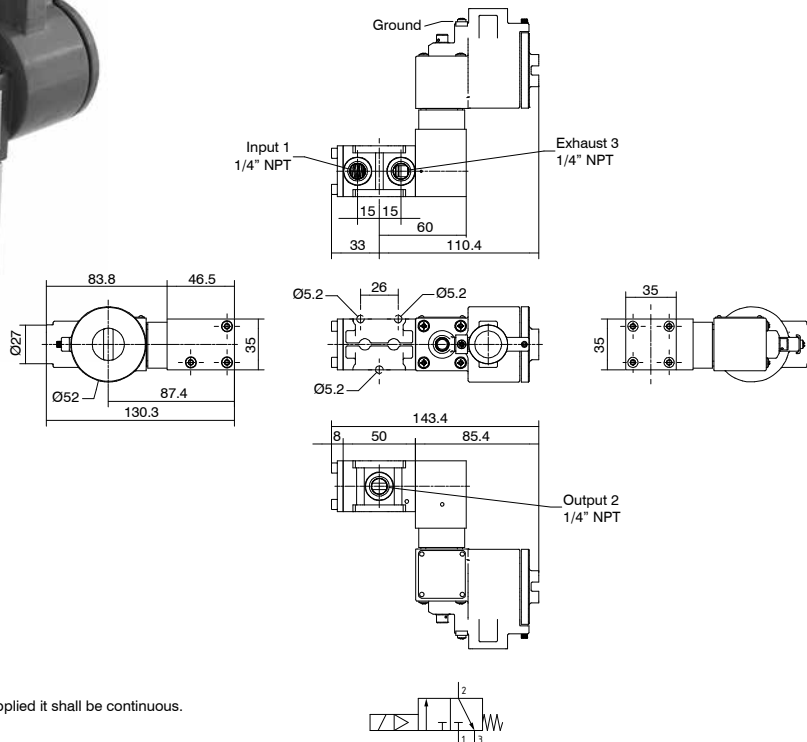
U _{max} : in	31 V DC
I _{max} :	0,67 A
W _{max} : in	2,98 W

Certifications available:





Solenoid-spring valve



Minimum piloting pressure 2,5 bar
Fluid:
Filtered air. No lubrication needed, if applied it shall be continuous.
Inert Gas.
Sweet gas (natural).

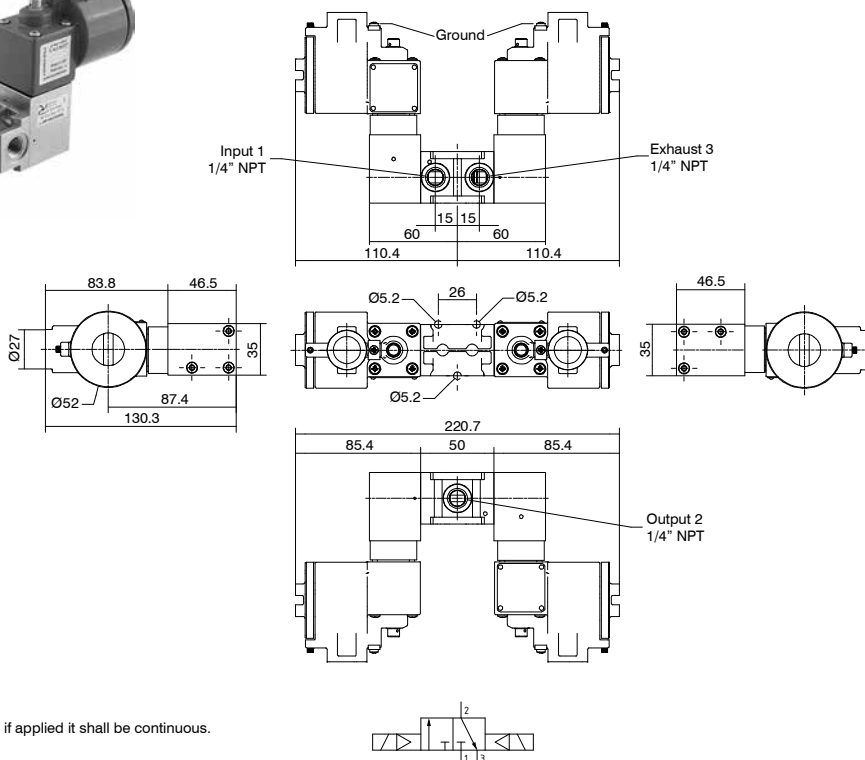
Operational characteristics

Maximum working pressure (bar)	Flow rate at 6 bar with $\Delta p=1$ (NI/min)	Connections	Weight (g)	Cv	kv
10	1000	1/4" NPT	1500	1,02	15,15

Ordering code
SS1432CM101L

PROCESS AUTOMATION TECHNOLOGY

Solenoid-solenoid valve



Minimum piloting pressure 2,5 bar
Fluid:
Filtered air. No lubrication needed, if applied it shall be continuous.
Inert Gas.
Sweet gas (natural).

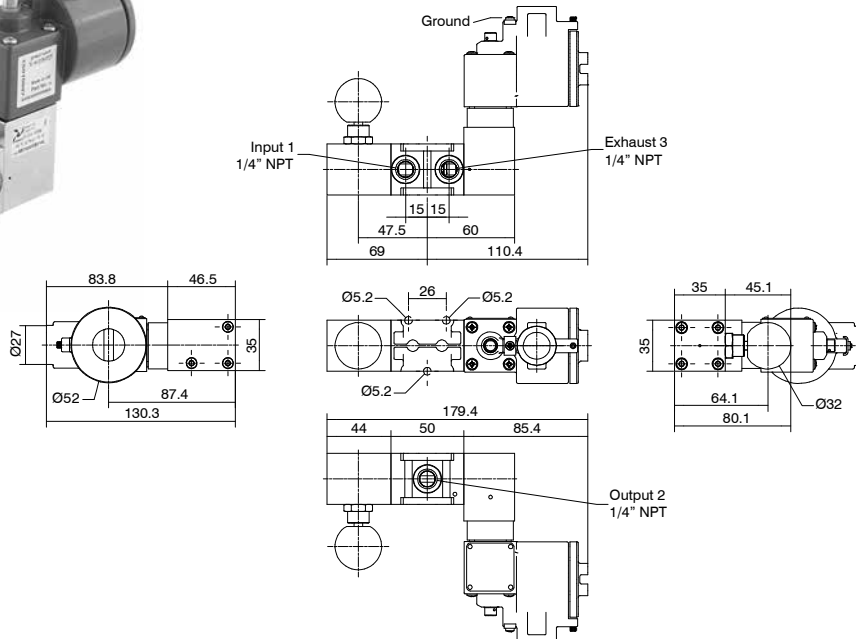
Operational characteristics

Maximum working pressure (bar)	Flow rate at 6 bar with $\Delta p=1$ (NI/min)	Connections	Weight (g)	Cv	kv
10	1000	1/4" NPT	2600	1,02	15,15

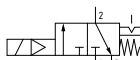
Ordering code
SS1432CM1M1L



Solenoid valve with self-locking manual reset



Minimum piloting pressure 2,5 bar
Fluid:
Filtered air. No lubrication needed, if applied it shall be continuous.
Inert Gas.
Sweet gas (natural).

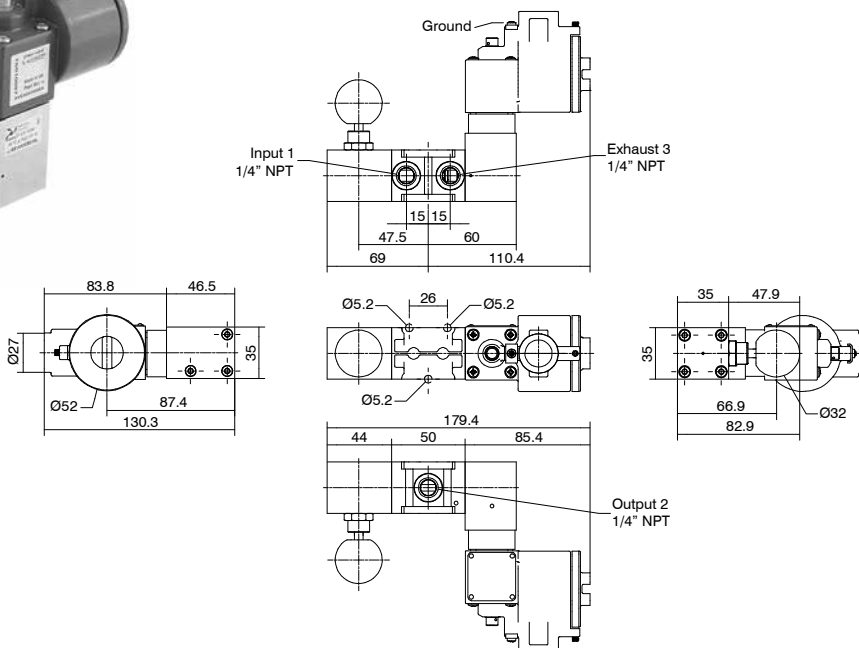


Operational characteristics

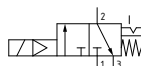
Maximum working pressure (bar)	Flow rate at 6 bar with $\Delta p=1$ (NI/min)	Connections	Weight (g)	Cv	kv
10	1000	1/4" NPT	1850	1,02	15,15

Ordering code
SS1432CM114L

Solenoid valve with self-locking manual reset inverted



Minimum piloting pressure 2,5 bar
Fluid:
Filtered air. No lubrication needed, if applied it shall be continuous.
Inert Gas.
Sweet gas (natural).



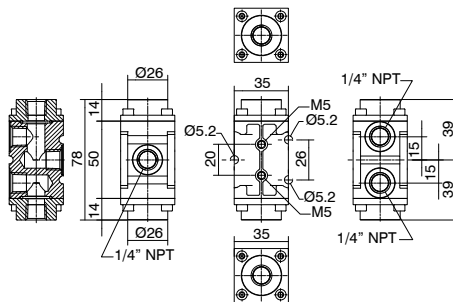
Operational characteristics

Maximum working pressure (bar)	Flow rate at 6 bar with $\Delta p=1$ (NI/min)	Connections	Weight (g)	Cv	kv
10	1000	1/4" NPT	1850	1,02	15,15

Ordering code
SS1432CM115L

PROCESS AUTOMATION TECHNOLOGY

Flow divider, 2 outputs



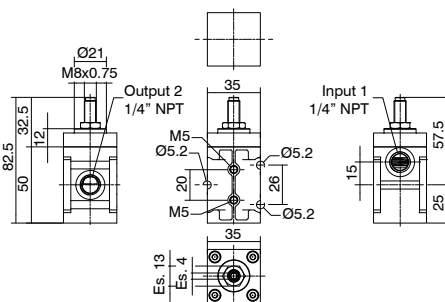
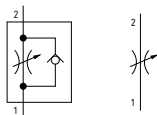
Different types of dividers available on request.

Ordering code
SS14T200

TYPE
L = Low temperature version
H = High temperature version

Operational characteristics					
Maximum working pressure (bar)	Flow rate at 6 bar with $\Delta p=1$ (NI/min)	Connections	Weight (g)	Cv	kv
12	1700	1/4" NPT	390	1,73	25,75

Flow regulator 1/4" NPT



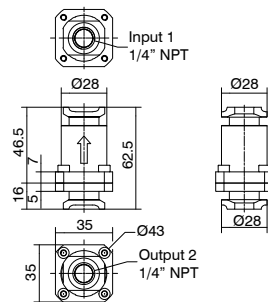
Ordering code
SS14RF

FUNCTION
U = Unidirectional
B = Bidirectional

TYPE
L = Low temperature version
H = High temperature version

Operational characteristics					
Maximum working pressure (bar)	Flow rate at 6 bar with $\Delta p=1$ (NI/min)	Connections	Weight (g)	Cv	kv
12	1000	1/4" NPT	500	1,02	15,15

Double seal non return valve

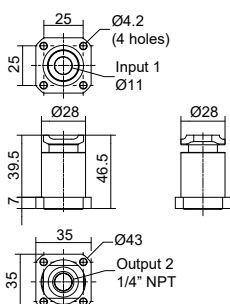


Ordering code
SS14VUS

TYPE
L = Low temperature version
H = High temperature version

Operational characteristics					
Maximum working pressure (bar)	Flow rate at 6 bar with $\Delta p=1$ (NI/min)	Connections	Weight (g)	Cv	kv
12	1400	1/4" NPT	220	1,42	21,21

Double seal non return valve for group

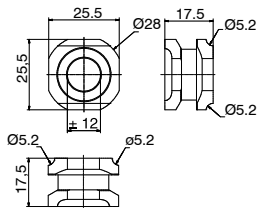


Ordering code
SS14VUG

TYPE
L = Low temperature version
H = High temperature version

Operational characteristics					
Maximum working pressure (bar)	Flow rate at 6 bar with $\Delta p=1$ (NI/min)	Connections	Weight (g)	Cv	kv
12	1400	1/4" NPT	150	1,42	21,21

Adapter for 90°



Ordering code

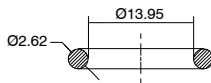
SS1490

Operational characteristics

Weight (g)

45

Seal OR 2,62 x 13,95



100-pieces pack.

Ordering code

SS14D^T

TYPE

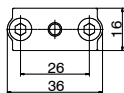
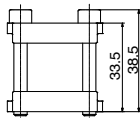
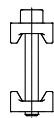
^T L= Low temperature version
H= High temperature version

Operational characteristics

Weight (g)

0,38

Mounting kit "A"



Kit includes:
Nr. 1 Front flange
Nr. 1 Threaded rear flange
Nr. 2 Screw M5x35 AISI 316

Operational characteristics

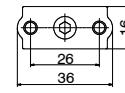
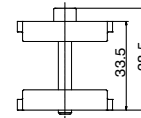
Weight (g)

55

Ordering code

SS14A

Mounting kit "B"



Kit includes:
Nr. 1 Front flange
Nr. 1 Threaded rear flange
Nr. 1 Screw M5x35 AISI 316

Operational characteristics

Weight (g)

48

Ordering code

SS14B

Single deployment flange



Kit includes:
Nr. 1 Single deployment flange
Nr. 3 Screws M5x40 AISI 316
Nr. 2 Screws M5x8 AISI 316

Operational characteristics

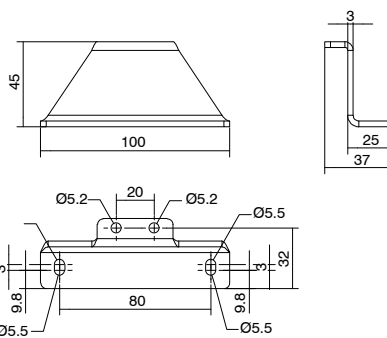
Weight (g)

55

Ordering code

SS14C

Fixing bracket



Kit includes:
Nr. 2 Screws M5x8 AISI 316
Nr. 1 Flange

Operational characteristics

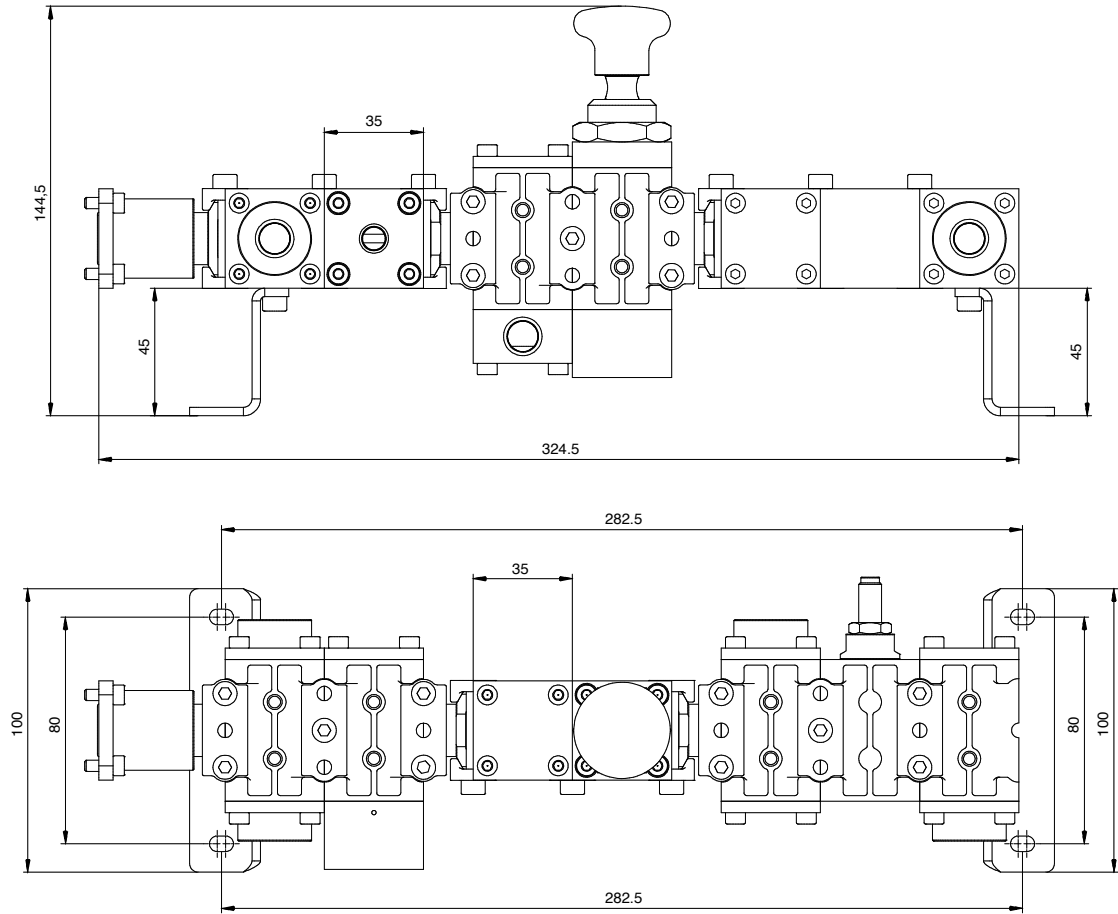
Weight (g)

125

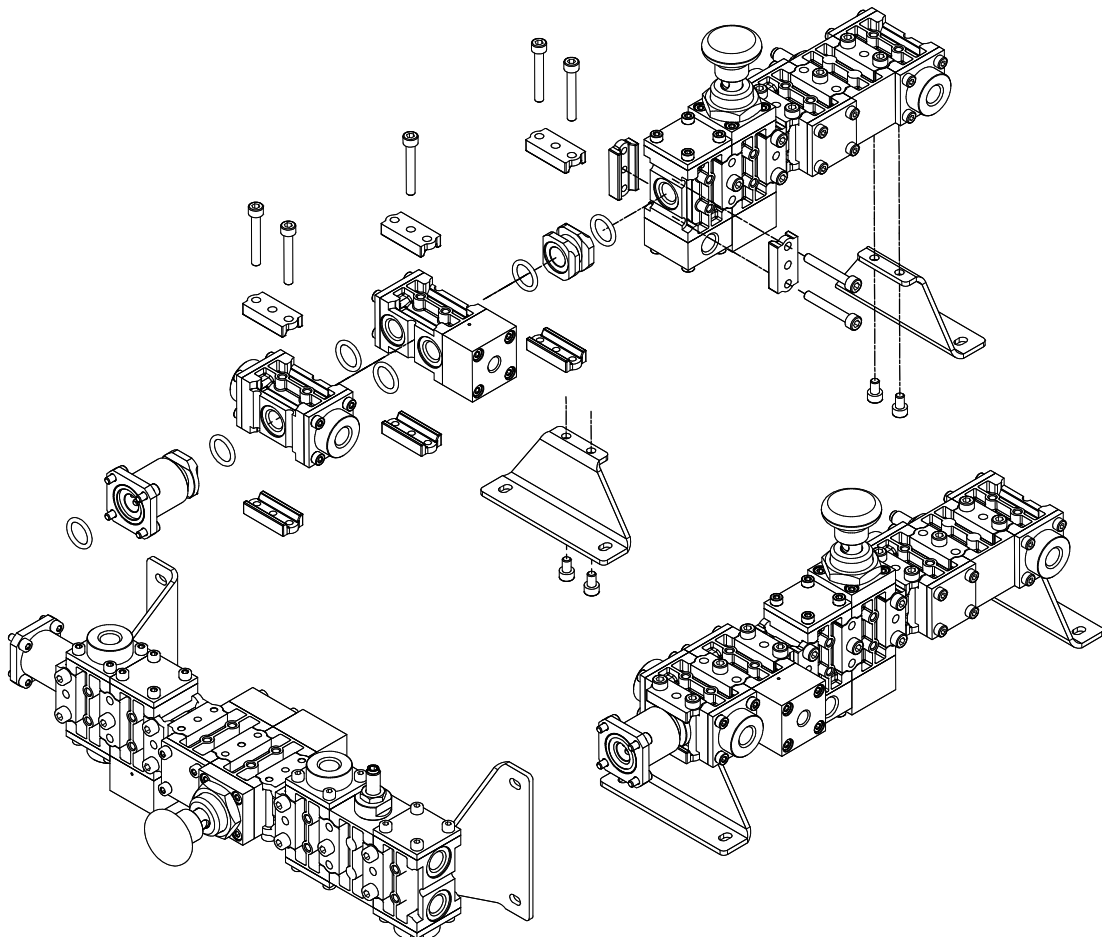
Ordering code

SS14M5

Example: manifold system



Example: group assembly scheme





Valves 1/2" NPT series Steel line

Stainless steel brand series have been engineered and developed to meet process automation and Oil & Gas severe service requirements, where material performances, product reliability and health and safety issues are critical elements. As a result, Pneumax products are perfectly suitable to work with sweet gas media and corrosive / aggressive gases.

All external and internal parts are AISI 316L stainless steel material in compliance with NACE standard MR0175/ISO 15156-1.

The range includes 3 and 5 ways valves, designed according to the following configuration: pneumatic-spring valve, pneumatic-pneumatic valve, 2 position push-pull valve, push button-spring valve, push button-pneumatic return valve, pneumatic valve with self-locking manual reset (**only in a 3 way function**), pneumatic valve with self-locking manual reset inverted (**only in a 3 way function**).

Accessories: non return valve, uni/bidirectional flow regulator and quick exhaust valve.

Pneumax valves have 1/2" NPT connections with 3500 NI/min maximum flow rate.

This version only provides single mounting.

Construction characteristics

Body	AISI 316L stainless steel
Operators	AISI 316L stainless steel
Spool	AISI 316L stainless steel
Spring	AISI 316 stainless steel
Screws	AISI 316 stainless steel (A4-70 stainless steel)
Seals	FPM (Fluoroelastomer) NBR and PU (Polyurethane) for low temperatures (-50°C) standard

Operating range

Fluid	Filtered air. No lubrication needed, if applied it shall be continuous. Inert Gas. Sweet gas (natural).
Operating temperature (for low temperature version L)	-50°C ... +70°C
Operating temperature (for high temperature version H)	-10°C ... +150°C
Maximum operating pressure	12 bar

Certifications available:

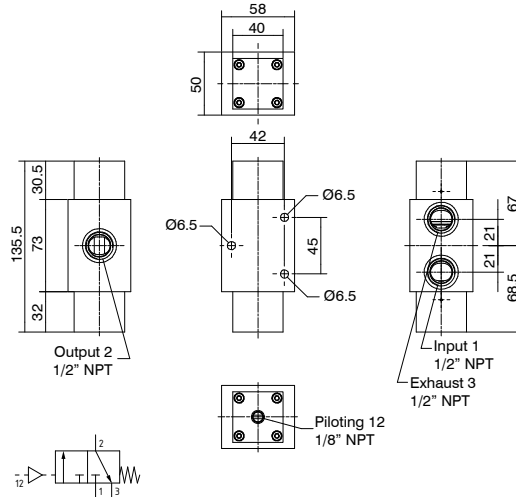


Suitable up to SIL 3



CU - TR 012

Pneumatic-spring valve



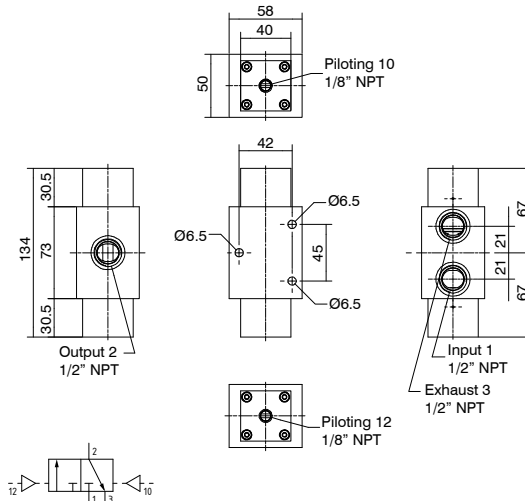
Minimum piloting pressure 3 bar
Fluid:
Filtered air. No lubrication needed, if applied it shall be continuous.
Inert Gas.
Sweet gas (natural).

Ordering code
SS1232C1101

TYPE
L= Low temperature version
H= High temperature version

Operational characteristics						
Maximum working pressure (bar)	Flow rate at 6 bar with $\Delta p=1$ (NI/min)	Connections	Pilot connections	Weight (g)	Cv	kv
12	3500	1/2" NPT	1/8" NPT	1992	3,55	53,03

Pneumatic-pneumatic valve



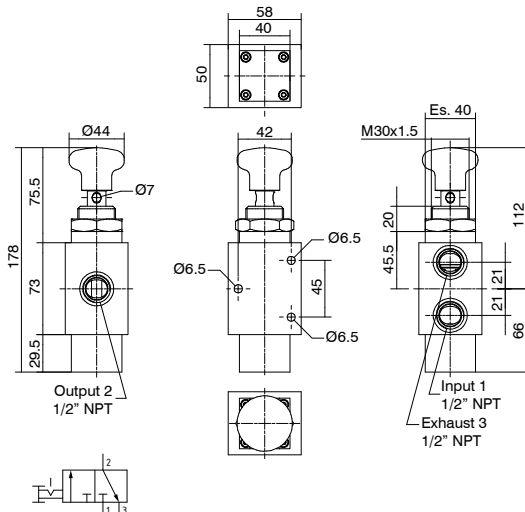
Minimum piloting pressure 3 bar
Fluid:
Filtered air. No lubrication needed, if applied it shall be continuous.
Inert Gas.
Sweet gas (natural).

Ordering code
SS1232C1111

TYPE
L= Low temperature version
H= High temperature version

Operational characteristics						
Maximum working pressure (bar)	Flow rate at 6 bar with $\Delta p=1$ (NI/min)	Connections	Pilot connections	Weight (g)	Cv	kv
12	3500	1/2" NPT	1/8" NPT	2001	3,55	53,03

2 position push-pull valve



Operating force 55N.
Fluid:
Filtered air. No lubrication needed, if applied it shall be continuous.
Inert Gas.
Sweet gas (natural).

Ordering code
SS1232C0802

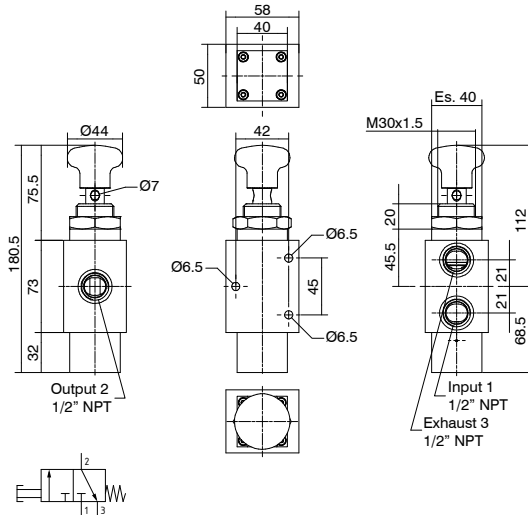
TYPE
L= Low temperature version
H= High temperature version

Operational characteristics						
Maximum working pressure (bar)	Flow rate at 6 bar with $\Delta p=1$ (NI/min)	Connections	Weight (g)	Cv	kv	
12	3500	1/2" NPT	2027	3,55	53,03	

Push button-spring valve



Operating force 200N
Fluid:
Filtered air. No lubrication needed, if applied it shall be continuous.
Inert Gas.
Sweet gas (natural).



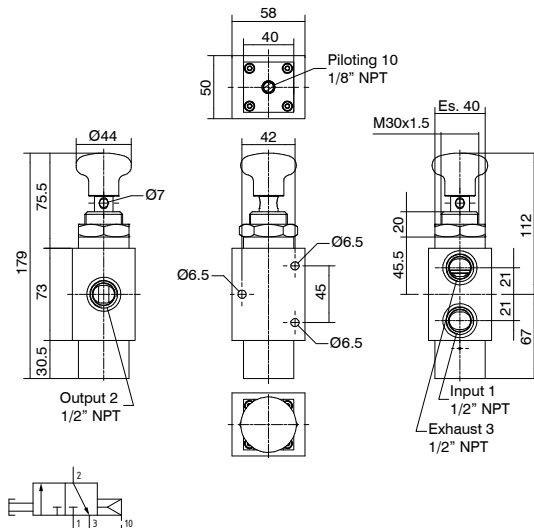
Ordering code
SS1232C0801
TYPE
L= Low temperature version
H= High temperature version

Operational characteristics					
Maximum working pressure (bar)	Flow rate at 6 bar with $\Delta p=1$ (Nl/min)	Connections	Weight (g)	Cv	kv
12	3500	1/2" NPT	2000	3,55	53,03

Push button-pneumatic return valve



Fluid:
Filtered air. No lubrication needed, if applied it shall be continuous.
Inert Gas.
Sweet gas (natural).



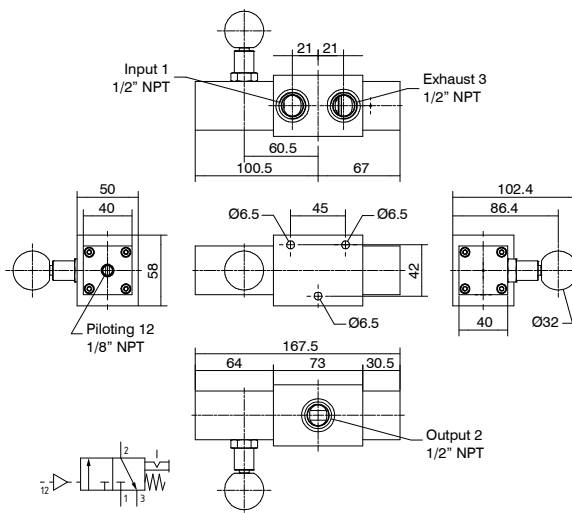
Ordering code
SS1232C0811
TYPE
L= Low temperature version
H= High temperature version

Operational characteristics						
Maximum working pressure (bar)	Flow rate at 6 bar with $\Delta p=1$ (Nl/min)	Connections	Pilot connections	Weight (g)	Cv	kv
12	3500	1/2" NPT	1/8" NPT	2012	3,55	53,03

Pneumatic valve with self-locking manual reset



Minimum piloting pressure 3 bar
Fluid:
Filtered air. No lubrication needed, if applied it shall be continuous.
Inert Gas.
Sweet gas (natural).

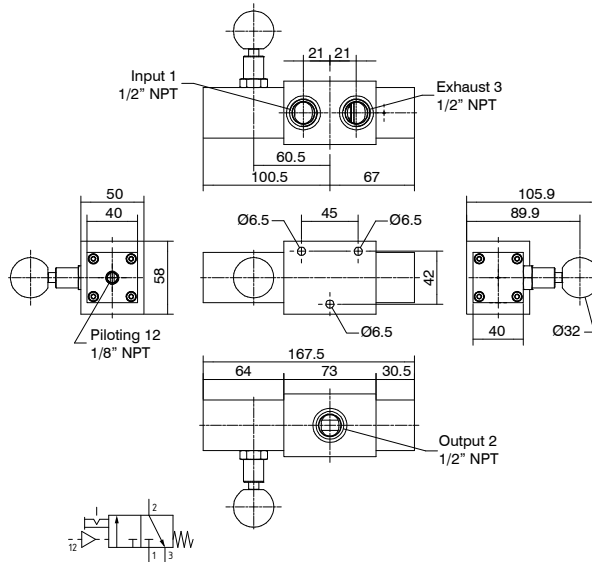


Ordering code
SS1232C1114
TYPE
L= Low temperature version
H= High temperature version

Operational characteristics						
Maximum working pressure (bar)	Flow rate at 6 bar with $\Delta p=1$ (Nl/min)	Connections	Pilot connections	Weight (g)	Cv	kv
12	3500	1/2" NPT	1/8" NPT	2409	3,55	53,03



Pneumatic valve with self-locking manual reset inverted



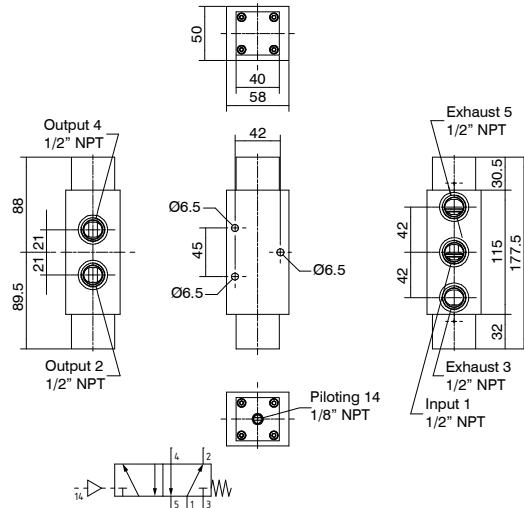
Ordering code
SS1232C1115 ^T
TYPE
^T L= Low temperature version
H= High temperature version

Minimum piloting pressure 3 bar
Fluid:
Filtered air. No lubrication needed, if applied it shall be continuous.
Inert Gas.
Sweet gas (natural).

Operational characteristics						
Maximum working pressure (bar)	Flow rate at 6 bar with $\Delta p=1$ (NL/min)	Connections	Pilot connections	Weight (g)	Cv	kv
12	3500	1/2" NPT	1/8" NPT	2408	3,55	53,03

PROCESS AUTOMATION TECHNOLOGY

Pneumatic-spring valve



Minimum piloting pressure 3 bar
Fluid: Filtered air. No lubrication needed, if applied it shall be continuous.
Inert Gas.
Sweet gas (natural).

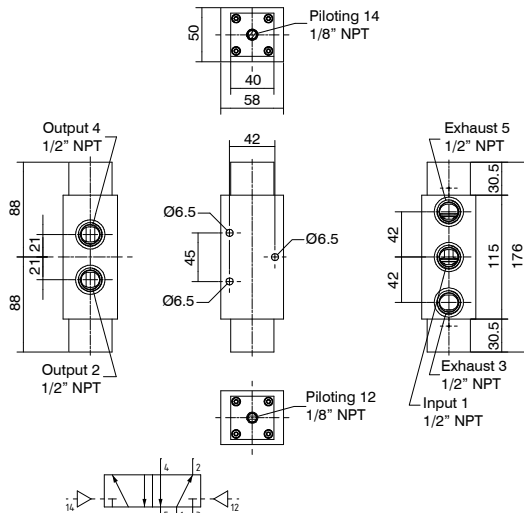
Operational characteristics

Maximum working pressure (bar)	Flow rate at 6 bar with $\Delta p=1$ (Nl/min)	Connections	Weight (g)	Cv	kv
12	3500	1/2" NPT	2744	3,55	53,03

Ordering code
SS125201101T

TYPE
T = Low temperature version
H = High temperature version

Pneumatic-pneumatic valve



Minimum piloting pressure 3 bar
Fluid: Filtered air. No lubrication needed, if applied it shall be continuous.
Inert Gas.
Sweet gas (natural).

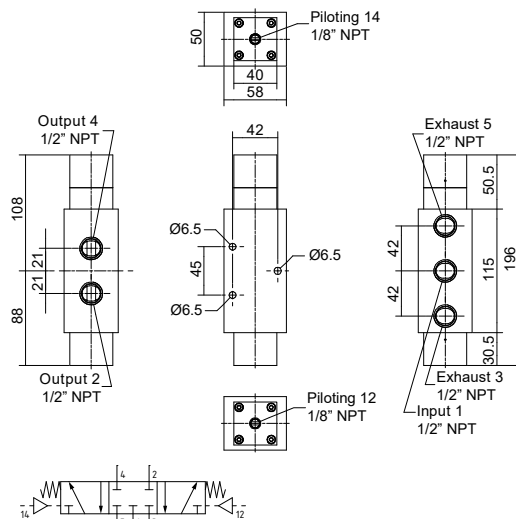
Operational characteristics

Maximum working pressure (bar)	Flow rate at 6 bar with $\Delta p=1$ (Nl/min)	Connections	Pilot connections	Weight (g)	Cv	kv
12	3500	1/2" NPT	1/8" NPT	2790	3,55	53,03

Ordering code
SS125201111T

TYPE
T = Low temperature version
H = High temperature version

Pneumatic-pneumatic closed centers valve



Minimum piloting pressure 3 bar
Fluid: Filtered air. No lubrication needed, if applied it shall be continuous.
Inert Gas.
Sweet gas (natural).

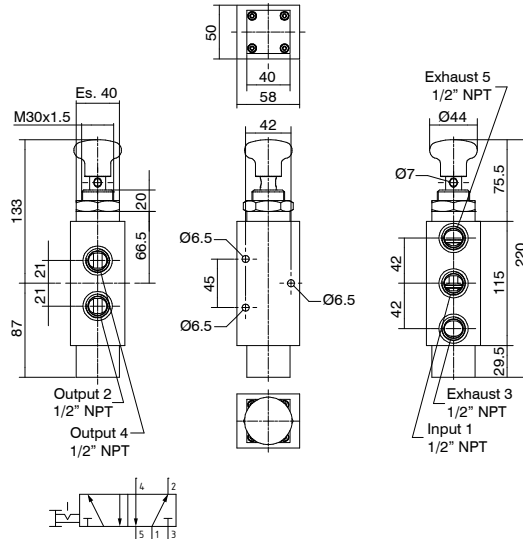
Operational characteristics

Maximum working pressure (bar)	Flow rate at 6 bar with $\Delta p=1$ (Nl/min)	Connections	Pilot connections	Weight (g)	Cv	kv
12	3500	1/2" NPT	1/8" NPT	3019	3,55	53,03

Ordering code
SS125311111T

TYPE
T = Low temperature version
H = High temperature version

2 position push-pull valve



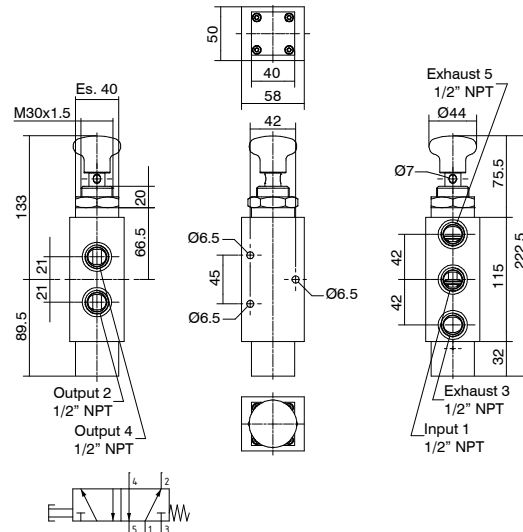
Ordering code
SS125200802^T

TYPE
^T L= Low temperature version
H= High temperature version

Operating force 55N.
Fluid: Filtered air. No lubrication needed, if applied it shall be continuous.
Inert Gas.
Sweet gas (natural).

Operational characteristics					
Maximum working pressure (bar)	Flow rate at 6 bar with $\Delta p=1$ (NI/min)	Connections	Weight (g)	Cv	kv
12	3500	1/2" NPT	2757	3,55	53,03

Push button-spring valve



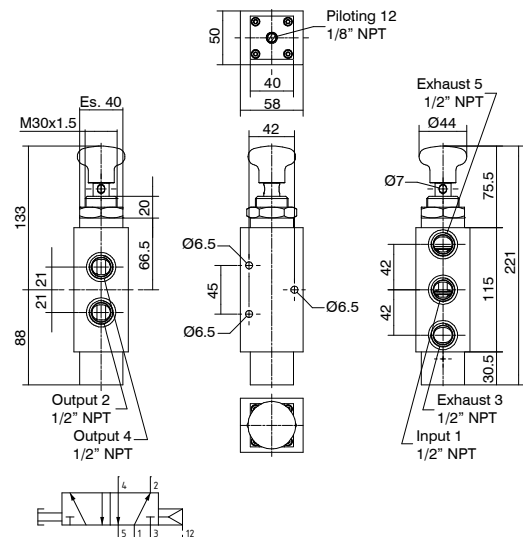
Ordering code
SS125200801^T

TYPE
^T L= Low temperature version
H= High temperature version

Operating force 200N
Fluid: Filtered air. No lubrication needed, if applied it shall be continuous.
Inert Gas.
Sweet gas (natural).

Operational characteristics					
Maximum working pressure (bar)	Flow rate at 6 bar with $\Delta p=1$ (NI/min)	Connections	Weight (g)	Cv	kv
12	3500	1/2" NPT	2730	3,55	53,03

Push button-pneumatic return valve



Ordering code
SS125200811^T

TYPE
^T L= Low temperature version
H= High temperature version

Minimum piloting pressure 3 bar
Fluid: Filtered air. No lubrication needed, if applied it shall be continuous.
Inert Gas.
Sweet gas (natural).

Operational characteristics						
Maximum working pressure (bar)	Flow rate at 6 bar with $\Delta p=1$ (NI/min)	Connections	Pilot connections	Weight (g)	Cv	kv
12	3500	1/2" NPT	1/8" NPT	2780	3,55	53,03



Solenoid valves 1/2" NPT series Steel line - For safe area with IP66 stainless steel housing

Stainless steel solenoid valves, complete with IP66 rated solenoid coil in a stainless steel housing and **CE** marked have been engineered and developed to meet process automation and Oil & Gas severe service requirements, where material performances, product reliability and health and safety issues are critical elements. As a result, Pneumax products are perfectly suitable to work with sweet gas media and corrosive / aggressive gases.

All external and internal parts are AISI 316L stainless steel material in compliance with NACE standard MR0175/ISO 15156-1.

The range includes solenoid valves with 3 and 5 ways functions, complete with self feeding solenoids, designed according to the following configuration: solenoid-spring valve, solenoid-solenoid valve, solenoid valve with self-locking manual reset (**only in a 3 way function**), solenoid valve with self-locking manual reset inverted (**only in a 3 way function**).

Pneumax solenoid valves have 1/2" NPT connections with 3500 NI/min maximum flow rate.

This version only provides single mounting.

Construction characteristics

Body	AISI 316L stainless steel
Operators	AISI 316L stainless steel
Spool	AISI 316L stainless steel
Spring	AISI 316 stainless steel
Screws	AISI 316 stainless steel (A4-70 stainless steel)
Seals	NBR for low temperatures FPM (Fluoroelastomer) (available on request)

Operating range

Fluid	Filtered air. No lubrication needed, if applied it shall be continuous. Inert Gas. Sweet gas (natural).
Operating temperature	-20°C ... +70°C
Note: The suitable operating temperature is limited by the most restrictive component, which is the pilot, regardless of the type of seals used in the valve spool.	
Maximum operating pressure	10 bar

Electrical (Electropilot) construction characteristics

Housing	304 stainless steel with epoxy paint
Armour / Cores	Ferromagnetic stainless steel
Springs	Stainless steel
Seals	FPM (Fluoroelastomer)
Incorporation	PBT 30% glass load
Wire insulation	H
Nominal voltage	24 V DC 24, 110, 220 V AC
Power consumption DC	2,4W
Power consumption AC	10VA (Inrush), 5VA (Running)
Connection for cable entry	M20x1.5 (1/2" NPT available on request)
Electrical connection	Screw terminals 2 Poles 2.5 mm
IP Rating	IP66
Tolerance on voltage supply	±10%
ED continuous service	100%

Certifications available:

Non ATEX marked product

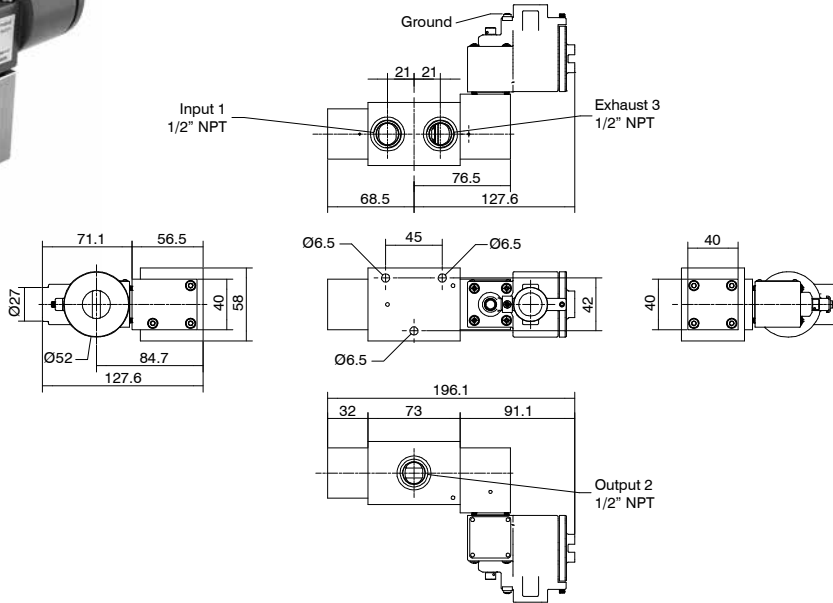


: Suitable up to SIL 3





Solenoid-spring valve



Ordering code

SS1232CA01L

TENSION

1 = 24 V DC

2 = 24 V AC (50/60 Hz)

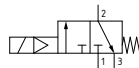
3 = 110 V AC (50/60 Hz)

4 = 220 V AC (50/60 Hz)

SILV

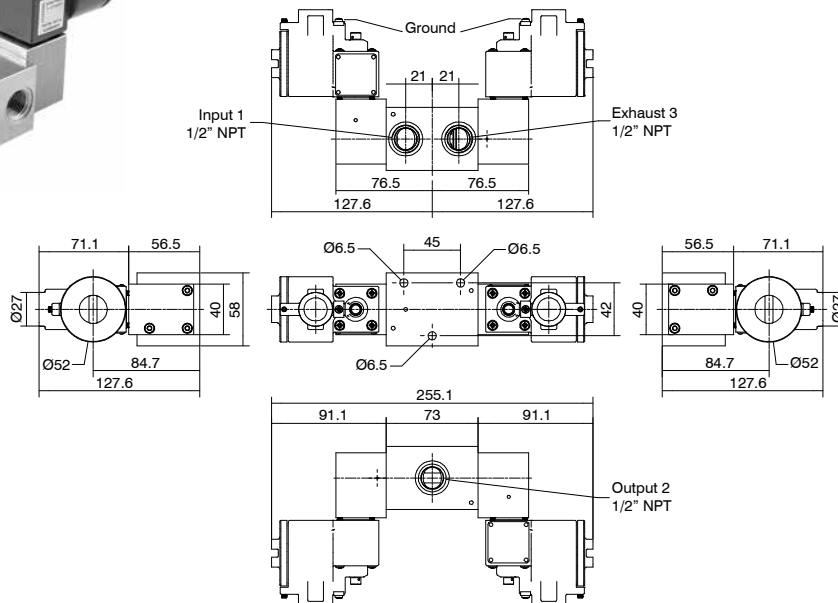
EAC

Minimum piloting pressure 3 bar
Fluid:
Filtered air. No lubrication needed, if applied it shall be continuous.
Inert Gas.
Sweet gas (natural).



Operational characteristics					
Maximum working pressure (bar)	Flow rate at 6 bar with $\Delta p=1$ (NI/min)	Connections	Weight (g)	Cv	kv
10	3500	1/2" NPT	2776	3,55	53,03

Solenoid-solenoid valve



Ordering code

SS1232CA0A0L

TENSION

1 = 24 V DC

2 = 24 V AC (50/60 Hz)

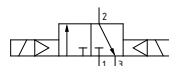
3 = 110 V AC (50/60 Hz)

4 = 220 V AC (50/60 Hz)

SILV

EAC

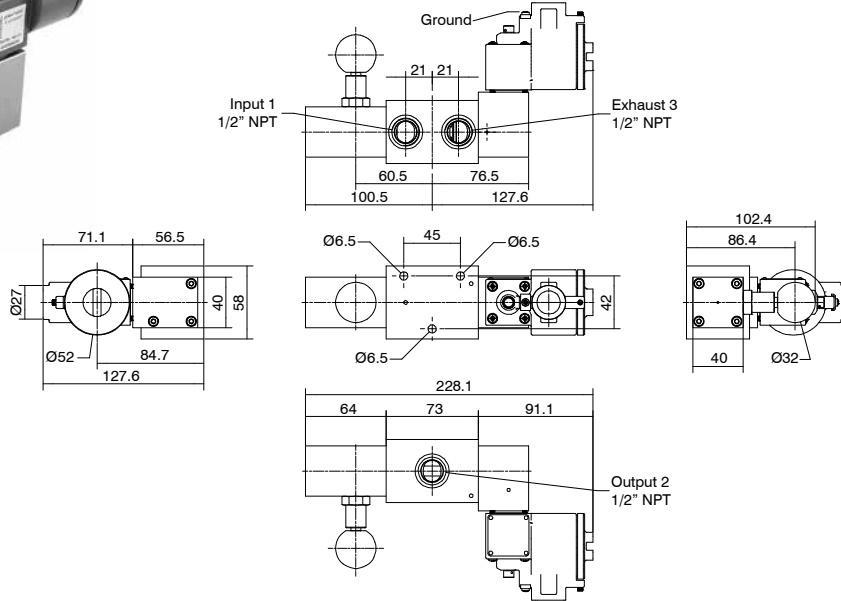
Minimum piloting pressure 3 bar
Fluid:
Filtered air. No lubrication needed, if applied it shall be continuous.
Inert Gas.
Sweet gas (natural).



Operational characteristics					
Maximum working pressure (bar)	Flow rate at 6 bar with $\Delta p=1$ (NI/min)	Connections	Weight (g)	Cv	kv
10	3500	1/2" NPT	3909	3,55	53,03



Solenoid valve with self-locking manual reset

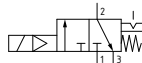


Ordering code
SS1232CA14L

TENSION
1 = 24 V DC
2 = 24 V AC (50/60 Hz)
3 = 110 V AC (50/60 Hz)
4 = 220 V AC (50/60 Hz)

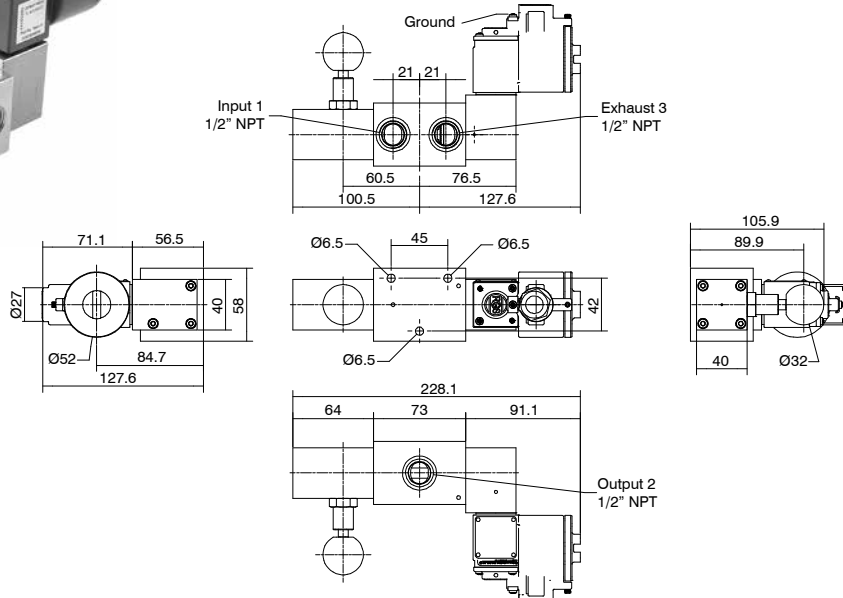
SILV
EAC

Minimum piloting pressure 3 bar
Fluid:
Filtered air. No lubrication needed, if applied it shall be continuous.
Inert Gas.
Sweet gas (natural).



Operational characteristics					
Maximum working pressure (bar)	Flow rate at 6 bar with $\Delta p=1$ (NI/min)	Connections	Weight (g)	Cv	kv
10	3500	1/2" NPT	3358	3,55	53,03

Solenoid valve with self-locking manual reset inverted

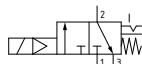


Ordering code
SS1232CA15L

TENSION
1 = 24 V DC
2 = 24 V AC (50/60 Hz)
3 = 110 V AC (50/60 Hz)
4 = 220 V AC (50/60 Hz)

SILV
EAC

Minimum piloting pressure 3 bar
Fluid:
Filtered air. No lubrication needed, if applied it shall be continuous.
Inert Gas.
Sweet gas (natural).



Operational characteristics					
Maximum working pressure (bar)	Flow rate at 6 bar with $\Delta p=1$ (NI/min)	Connections	Weight (g)	Cv	kv
10	3500	1/2" NPT	3360	3,55	53,03

Solenoid valves 1/2" NPT series Steel line - IP66 Exd Explosion protection

Stainless steel solenoid valves, complete with IP66 Exd Explosion protection rated solenoid coil in a stainless steel housing and CE marked have been engineered and developed to meet process automation and Oil & Gas severe service requirements, where material performances, product reliability and health and safety issues are critical elements. As a result, Pneumax products are perfectly suitable to work with sweet gas media and corrosive / aggressive gases.

All external and internal parts are AISI 316L stainless steel material in compliance with NACE standard MR0175/ISO 15156-1.

The range includes solenoid valves with 3 and 5 ways functions, complete with self feeding solenoids, designed according to the following configuration: solenoid-spring valve, solenoid-solenoid valve, solenoid valve with self-locking manual reset (**only in a 3 way function**), solenoid valve with self-locking manual reset inverted (**only in a 3 way function**).

Pneumax solenoid valves have 1/2" NPT connections with 3500 NI/min maximum flow rate.

This version only provides single mounting.

Construction characteristics

Body	AISI 316L stainless steel
Operators	AISI 316L stainless steel
Spool	AISI 316L stainless steel
Spring	AISI 316 stainless steel
Screws	AISI 316 stainless steel (A4-70 stainless steel)
Seals	NBR for low temperatures FPM (Fluoroelastomer) (available on request)

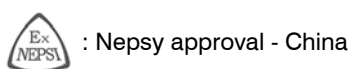
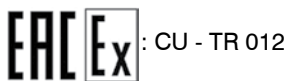
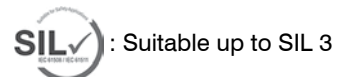
Operating range

Fluid	Filtered air. No lubrication needed, if applied it shall be continuous. Inert Gas. Sweet gas (natural).
Operating temperature for DC version	-50°C ... +70°C
Operating temperature for AC version	-50°C ... +55°C
Maximum operating pressure	10 bar

Electrical (Electropilot) construction characteristics

Housing	304 stainless steel with epoxy paint
Armour / Cores	Ferromagnetic stainless steel
Springs	Stainless steel
Seals	FPM (Fluoroelastomer)
Incorporation	PBT 30% glass load
Wire insulation	H
Nominal voltage	24 V DC 24, 110, 220/230 V AC
Power consumption DC	3W
Power consumption AC	10VA (Inrush), 5VA (Running)
Connection for cable entry	M20x1.5 (1/2" NPT available on request)
Electrical connection	Screw terminals 2 Poles 2.5 mm
IP Rating	IP66
Tolerance on voltage supply	±10%
ED continuous service	100%

Certifications available:

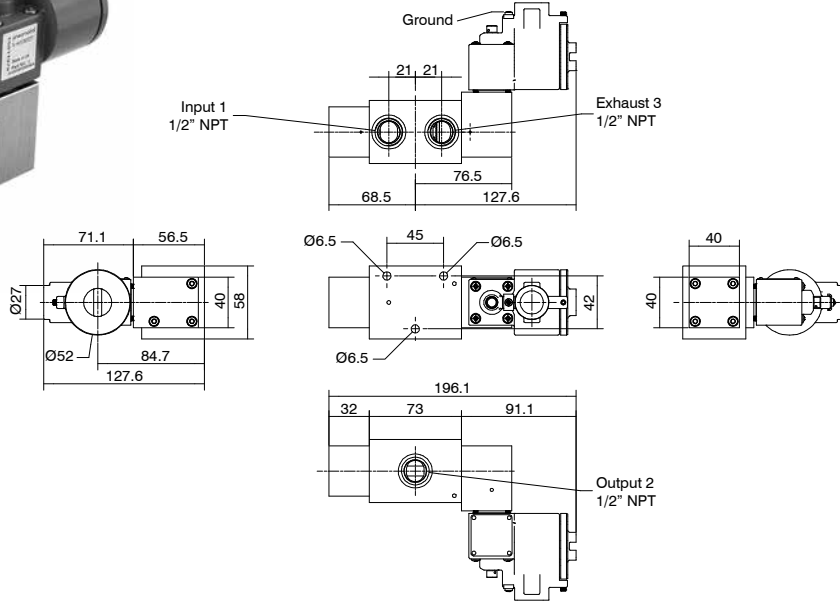


ATEX, SIL and EAC Ex: refer to products in the various sections to the catalogues.

IECEx and NEPSI: refer to Pneumatrol pilots installed upon each valve.



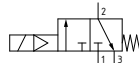
Solenoid-spring valve



Ordering code
SS1232CB01L

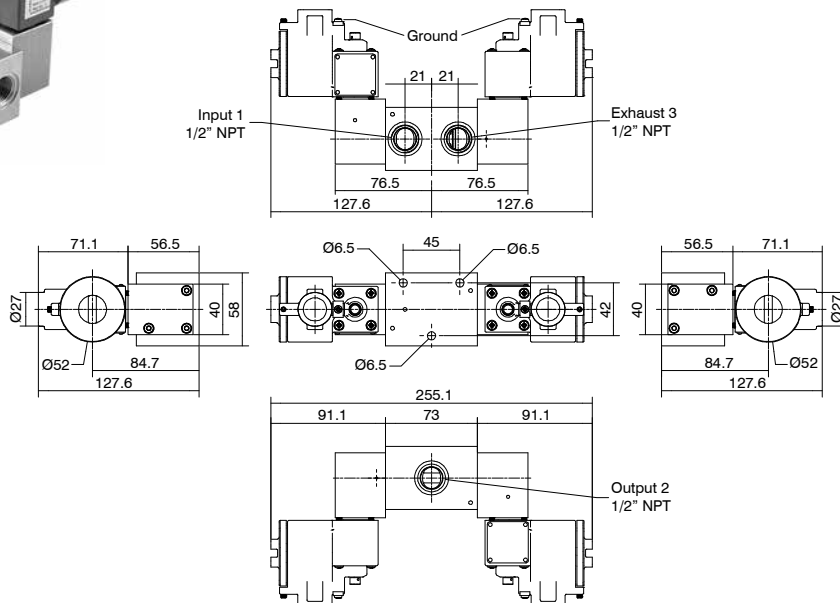
TENSION
1 = 24 V DC
2 = 24 V AC (50/60 Hz)
3 = 110 V AC (50/60 Hz)
4 = 220 V AC (50/60 Hz)

Minimum piloting pressure 3 bar
Fluid:
Filtered air. No lubrication needed, if applied it shall be continuous.
Inert Gas.
Sweet gas (natural).



Operational characteristics					
Maximum working pressure (bar)	Flow rate at 6 bar with $\Delta p=1$ (NI/min)	Connections	Weight (g)	Cv	kv
10	3500	1/2" NPT	2776	3,55	53,03

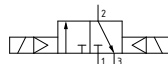
Solenoid-solenoid valve



Ordering code
SS1232CB0B0L

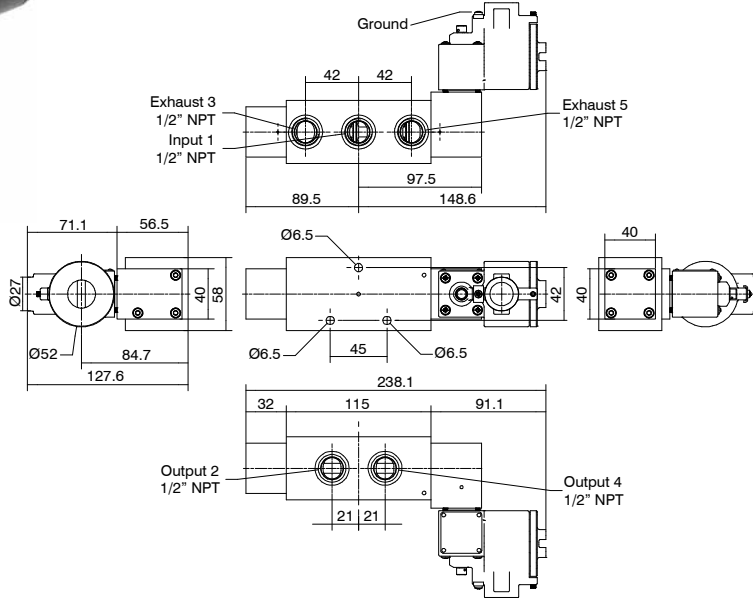
TENSION
1 = 24 V DC
2 = 24 V AC (50/60 Hz)
3 = 110 V AC (50/60 Hz)
4 = 220 V AC (50/60 Hz)

Minimum piloting pressure 3 bar
Fluid:
Filtered air. No lubrication needed, if applied it shall be continuous.
Inert Gas.
Sweet gas (natural).

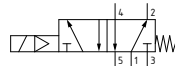


Operational characteristics					
Maximum working pressure (bar)	Flow rate at 6 bar with $\Delta p=1$ (NI/min)	Connections	Weight (g)	Cv	kv
10	3500	1/2" NPT	3909	3,55	53,03

Solenoid-spring valve



Minimum piloting pressure 3 bar
Fluid:
Filtered air. No lubrication needed, if applied it shall be continuous.
Inert Gas.
Sweet gas (natural).



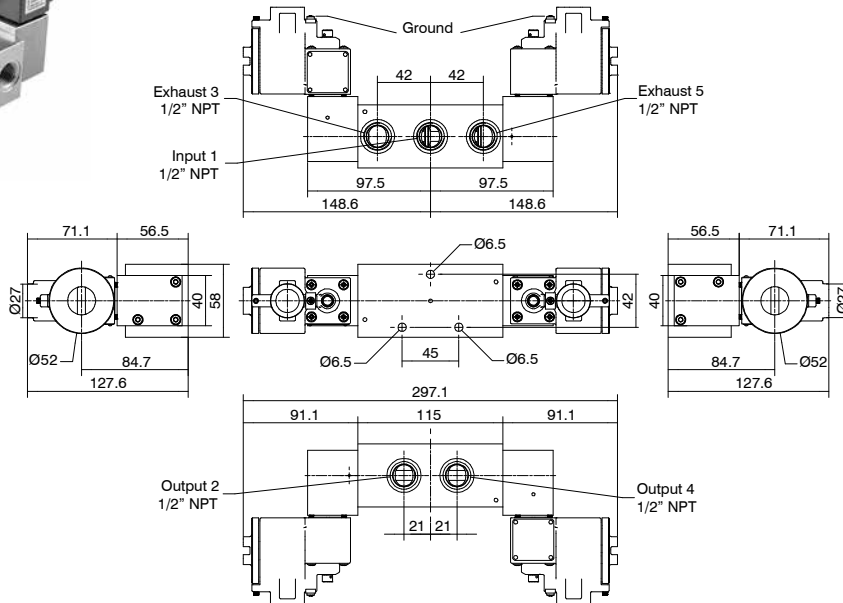
Ordering code
SS12520B01L

TENSION
1= 24 V DC
2= 24 V AC (50/60 Hz)
3= 110 V AC (50/60 Hz)
4= 220 V AC (50/60 Hz)

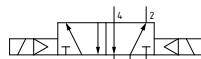
Operational characteristics

Maximum working pressure (bar)	Flow rate at 6 bar with $\Delta p=1$ (Nl/min)	Connections	Weight (g)	Cv	kv
10	3500	1/2" NPT	3679	3,55	53,03

Solenoid-solenoid valve



Minimum piloting pressure 3 bar
Fluid:
Filtered air. No lubrication needed, if applied it shall be continuous.
Inert Gas.
Sweet gas (natural).



Ordering code
SS12520B0BOL

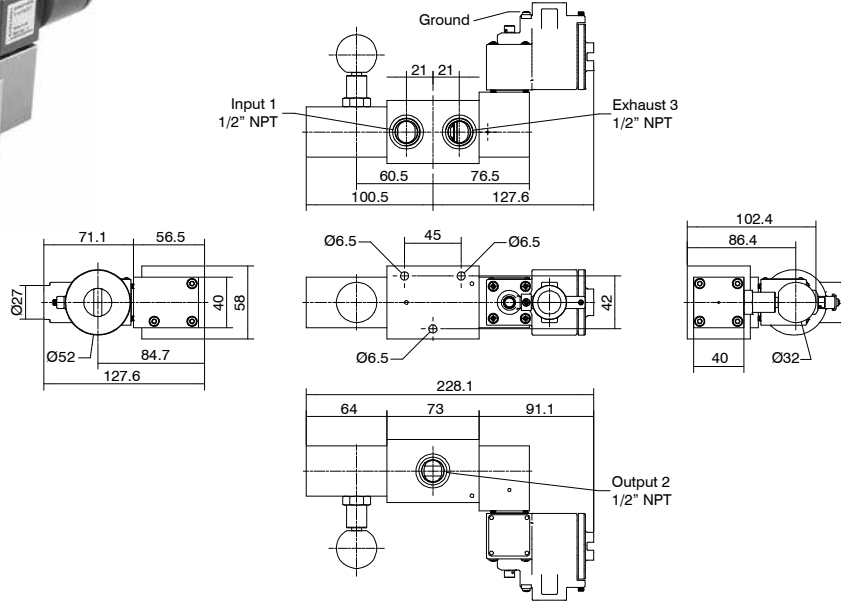
TENSION
1= 24 V DC
2= 24 V AC (50/60 Hz)
3= 110 V AC (50/60 Hz)
4= 220 V AC (50/60 Hz)

Operational characteristics

Maximum working pressure (bar)	Flow rate at 6 bar with $\Delta p=1$ (Nl/min)	Connections	Weight (g)	Cv	kv
10	3500	1/2" NPT	4678	3,55	53,03



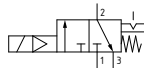
Solenoid valve with self-locking manual reset



Ordering code
SS1232CB^T14L

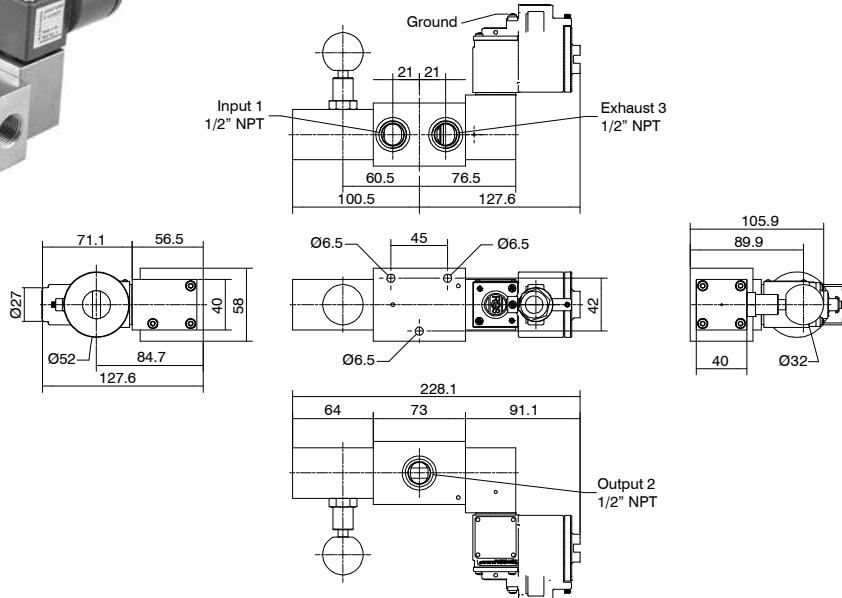
TENSION
1 = 24 V DC
T 2 = 24 V AC (50/60 Hz)
3 = 110 V AC (50/60 Hz)
4 = 220 V AC (50/60 Hz)

Minimum piloting pressure 3 bar
Fluid:
Filtered air. No lubrication needed, if applied it shall be continuous.
Inert Gas.
Sweet gas (natural).



Operational characteristics					
Maximum working pressure (bar)	Flow rate at 6 bar with $\Delta p=1$ (NI/min)	Connections	Weight (g)	Cv	kv
10	3500	1/2" NPT	3358	3,55	53,03

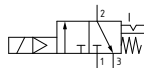
Solenoid valve with self-locking manual reset inverted



Ordering code
SS1232CB^T15L

TENSION
1 = 24 V DC
T 2 = 24 V AC (50/60 Hz)
3 = 110 V AC (50/60 Hz)
4 = 220 V AC (50/60 Hz)

Minimum piloting pressure 3 bar
Fluid:
Filtered air. No lubrication needed, if applied it shall be continuous.
Inert Gas.
Sweet gas (natural).



Operational characteristics					
Maximum working pressure (bar)	Flow rate at 6 bar with $\Delta p=1$ (NI/min)	Connections	Weight (g)	Cv	kv
10	3500	1/2" NPT	3360	3,55	53,03

Solenoid valves 1/2" NPT series Steel line - Intrinsically safe Exia

Stainless steel solenoid valves, complete with intrinsically safe Exia rated solenoid coil in and **CE** marked have been engineered and developed to meet process automation and Oil & Gas severe service requirements, where material performances, product reliability and health and safety issues are critical elements. As a result, Pneumax products are perfectly suitable to work with sweet gas media and corrosive / aggressive gases.

All external and internal parts are AISI 316L stainless steel material in compliance with NACE standard MR0175/ISO 15156-1.

The range includes solenoid valves with 3 and 5 ways functions, complete with self feeding solenoids, designed according to the following configuration: solenoid-spring valve, solenoid-solenoid valve, solenoid valve with self-locking manual reset, solenoid valve with self-locking manual reset inverted.

Pneumax solenoid valves have 1/2" NPT connections with 3500 NI/min maximum flow rate.

This version only provides single mounting.

Construction characteristics

Body	AISI 316L stainless steel
Operators	AISI 316L stainless steel
Spool	AISI 316L stainless steel
Spring	AISI 316 stainless steel
Screws	AISI 316 stainless steel (A4-70 stainless steel)
Seals	NBR for low temperatures FPM (Fluoroelastomer) (available on request)

Operating range

Fluid	Filtered air. No lubrication needed, if applied it shall be continuous. Inert Gas. Sweet gas (natural).
Operating temperature	-40°C ... +65°C

Note: The suitable operating temperature is limited by the most restrictive component, which is the pilot, regardless of the type of seals used in the valve spool.

Maximum operating pressure	10 bar
----------------------------	--------

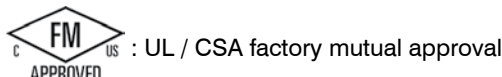
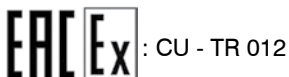
Electrical (Electropilot) construction characteristics

Housing	Zinc alloy with epoxy paint
Armour / Cores	Ferromagnetic stainless steel
Springs	Stainless steel
Seals	FPM (Fluoroelastomer)
Incorporation	PBT 30% glass load
Wire insulation	H
Guide tube	Stainless steel
Resistance	370 Ohms
Nominal voltage	24 V DC
Power consumption DC	0,4 W (Running)
Connection for cable entry	M20x1.5
Electrical connection	Screw terminals 2 Poles 2.5 mm
IP Rating	IP65
Tolerance on voltage supply	±10%
ED continuous service	100%

Electrical specifications for intrinsically safe

U _{max} : in	31 V DC
I _{max} :	0,67 A
W _{max} : in	2,98 W

Certifications available:

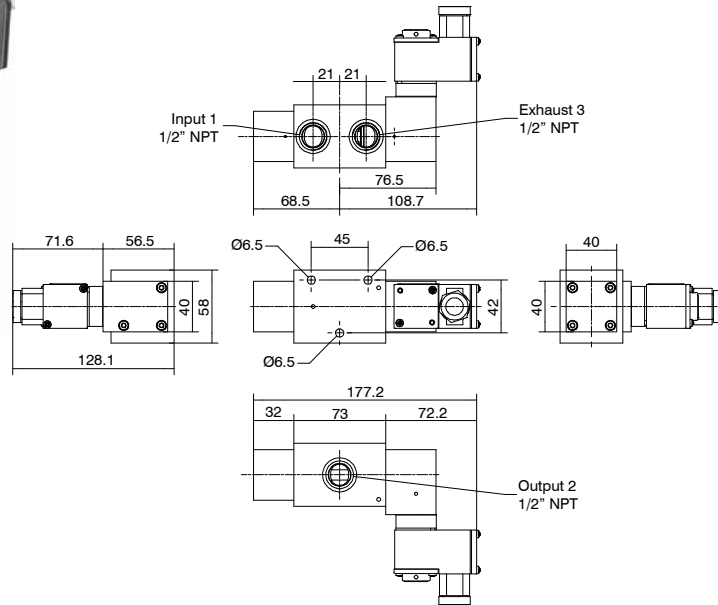


ATEX, SIL and EAC Ex: refer to products in the various sections to the catalogues.

IECEx and FM: refer to Pneumatrol pilots installed upon each valve.



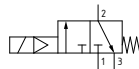
Solenoid-spring valve



Ordering code
SS1232CC001L

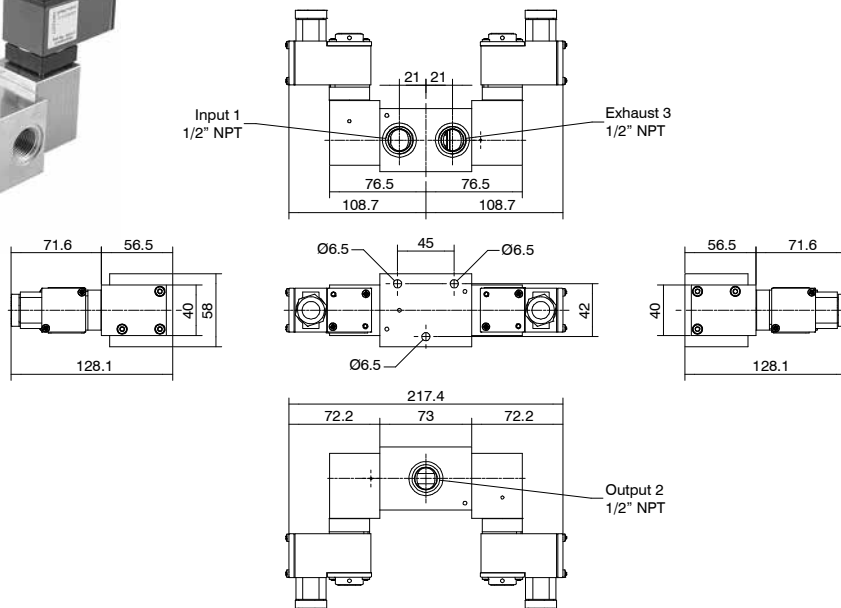
TENSION
1 = 24 V DC 33 mA

Minimum piloting pressure 3 bar
Fluid:
Filtered air. No lubrication needed, if applied it shall be continuous.
Inert Gas.
Sweet gas (natural).



Operational characteristics					
Maximum working pressure (bar)	Flow rate at 6 bar with $\Delta p=1$ (NI/min)	Connections	Weight (g)	Cv	kv
10	3500	1/2" NPT	2437	3,55	53,03

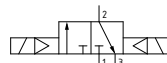
Solenoid-solenoid valve



Ordering code
SS1232CC001L

TENSION
1 = 24 V DC 33 mA

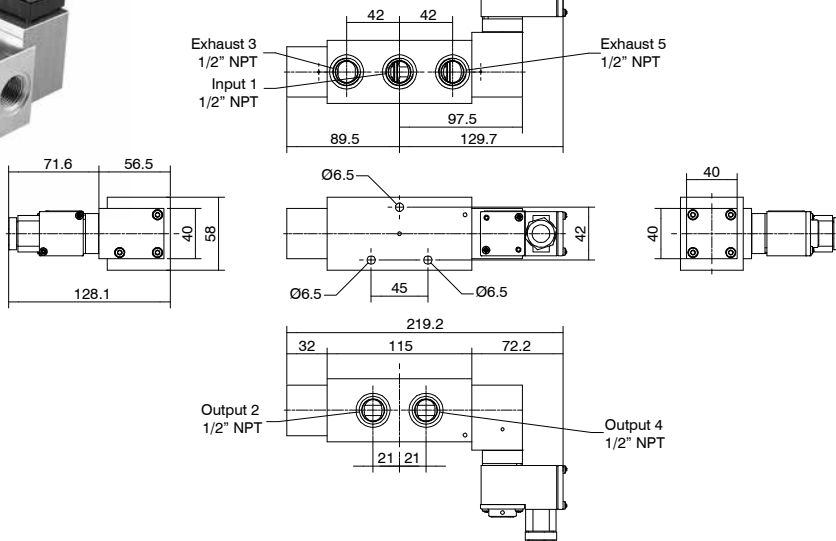
Minimum piloting pressure 3 bar
Fluid:
Filtered air. No lubrication needed, if applied it shall be continuous.
Inert Gas.
Sweet gas (natural).



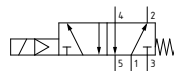
Operational characteristics					
Maximum working pressure (bar)	Flow rate at 6 bar with $\Delta p=1$ (NI/min)	Connections	Weight (g)	Cv	kv
10	3500	1/2" NPT	3228	3,55	53,03

PROCESS AUTOMATION TECHNOLOGY

Solenoid-spring valve



Minimum piloting pressure 3 bar
Fluid:
Filtered air. No lubrication needed, if applied it shall be continuous.
Inert Gas.
Sweet gas (natural).



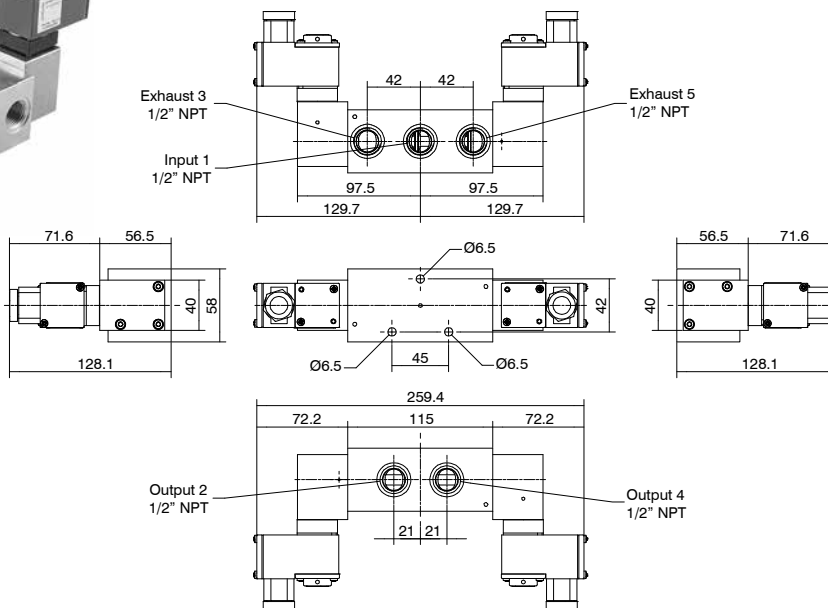
Operational characteristics

Maximum working pressure (bar)	Flow rate at 6 bar with $\Delta p=1$ (Nl/min)	Connections	Weight (g)	Cv	kv
10	3500	1/2" NPT	3349	3,55	53,03

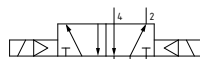
Ordering code
SS12520C01L

TENSION
1 = 24 V DC 33 mA

Solenoid-solenoid valve



Minimum piloting pressure 3 bar
Fluid:
Filtered air. No lubrication needed, if applied it shall be continuous.
Inert Gas.
Sweet gas (natural).



Operational characteristics

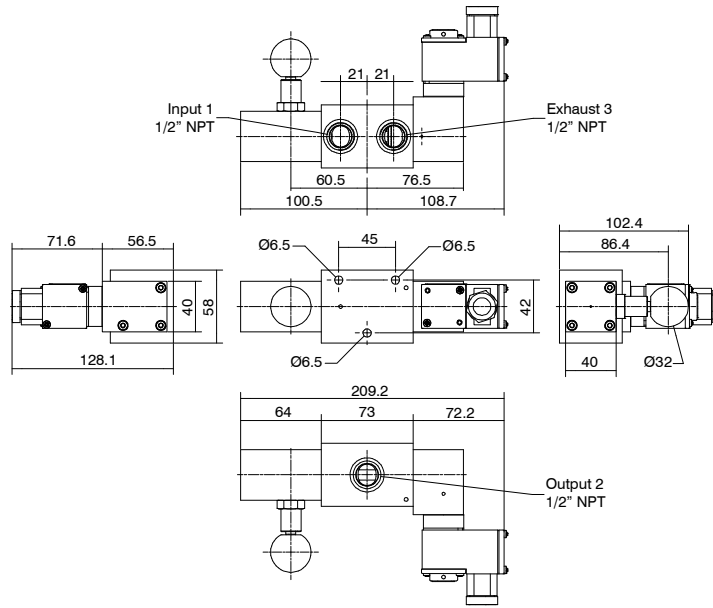
Maximum working pressure (bar)	Flow rate at 6 bar with $\Delta p=1$ (Nl/min)	Connections	Weight (g)	Cv	kv
10	3500	1/2" NPT	3749	3,55	53,03

Ordering code
SS12520C01L

TENSION
1 = 24 V DC 33 mA



Solenoid valve with self-locking manual reset

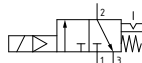


Ordering code
SS1232CC014L

TENSION
1 = 24 V DC 33 mA

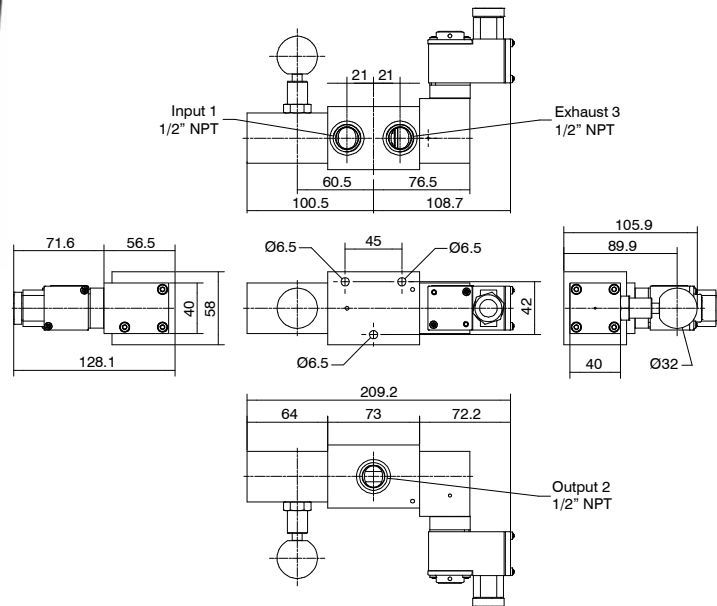
Ex SIL_v
EAC Ex
IECEx
FM APPROVED

Minimum piloting pressure 3 bar
Fluid:
Filtered air. No lubrication needed, if applied it shall be continuous.
Inert Gas.
Sweet gas (natural).



Operational characteristics					
Maximum working pressure (bar)	Flow rate at 6 bar with $\Delta p=1$ (NI/min)	Connections	Weight (g)	Cv	kv
10	3500	1/2" NPT	3020	3,55	53,03

Solenoid valve with self-locking manual reset inverted

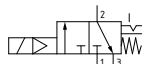


Ordering code
SS1232CC015L

TENSION
1 = 24 V DC 33 mA

Ex SIL_v
EAC Ex
IECEx
FM APPROVED

Minimum piloting pressure 3 bar
Fluid:
Filtered air. No lubrication needed, if applied it shall be continuous.
Inert Gas.
Sweet gas (natural).



Operational characteristics					
Maximum working pressure (bar)	Flow rate at 6 bar with $\Delta p=1$ (NI/min)	Connections	Weight (g)	Cv	kv
10	3500	1/2" NPT	3015	3,55	53,03



Solenoid valves 1/2" NPT series Steel line - Intrinsically safe Exia with IP66 steel housing

Stainless steel solenoid valves, complete with IP66 intrinsically safe Exia protection rated solenoid coil in a stainless steel housing. CE marked have been engineered and developed to meet process automation and Oil & Gas severe service requirements, where material performances, product reliability and health and safety issues are critical elements. As a result, Pneumax products are perfectly suitable to work with sweet gas media and corrosive / aggressive gases.

All external and internal parts are AISI 316L stainless steel material in compliance with NACE standard MR0175/ISO 15156-1.

The range includes solenoid valves with 3 and 5 ways functions, complete with self feeding solenoids, designed according to the following configuration: solenoid-spring valve, solenoid-solenoid valve, solenoid valve with self-locking manual reset (**only in a 3 way function**), solenoid valve with self-locking manual reset inverted (**only in a 3 way function**).

Pneumax solenoid valves have 1/2" NPT connections with 3500 NI/min maximum flow rate.

This version only provides single mounting.

Construction characteristics

Body	AISI 316L stainless steel
Operators	AISI 316L stainless steel
Spool	AISI 316L stainless steel
Spring	AISI 316 stainless steel
Screws	AISI 316 stainless steel (A4-70 stainless steel)
Seals	NBR for low temperatures FPM (Fluoroelastomer) (available on request)

Operating range

Fluid	Filtered air. No lubrication needed, if applied it shall be continuous. Inert Gas. Sweet gas (natural).
Operating temperature for DC version	-50°C ... +70°C
Operating temperature for AC version	-50°C ... +55°C
Maximum operating pressure	10 bar

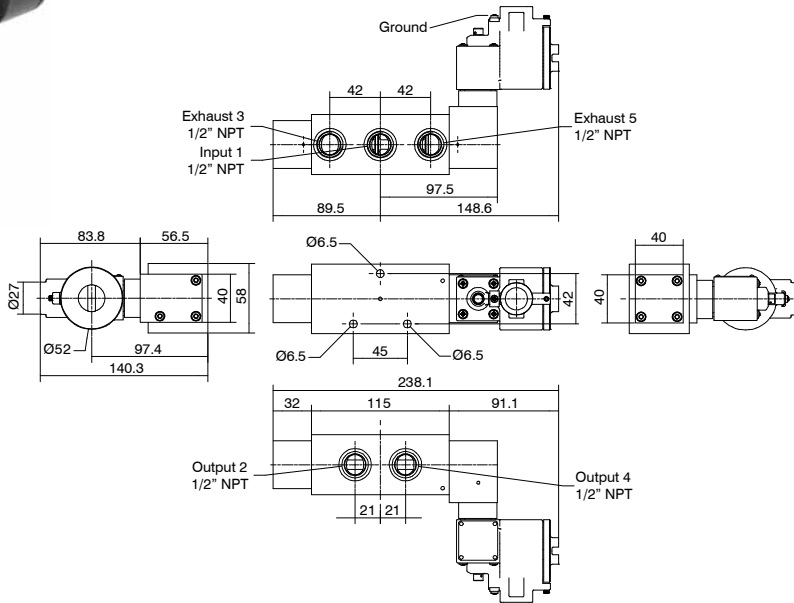
Electrical (Electropilot) construction characteristics

Housing	304 stainless steel with epoxy paint
Armour / Cores	Ferromagnetic stainless steel
Springs	Stainless steel
Seals	FPM (Fluoroelastomer)
Incorporation	PBT 30% glass load
Wire insulation	H
Nominal voltage	24 V DC 24, 110, 220/230 V AC
Power consumption DC	3W
Power consumption AC	10VA (Inrush), 5VA (Running)
Connection for cable entry	M20x1.5 (1/2" NPT available on request)
Electrical connection	Screw terminals 2 Poles 2.5 mm
IP Rating	IP66
Tolerance on voltage supply	±10%
ED continuous service	100%

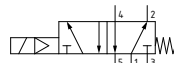
Certifications available:



Solenoid-spring valve



Minimum piloting pressure 3 bar
Fluid:
Filtered air. No lubrication needed, if applied it shall be continuous.
Inert Gas.
Sweet gas (natural).



Operational characteristics

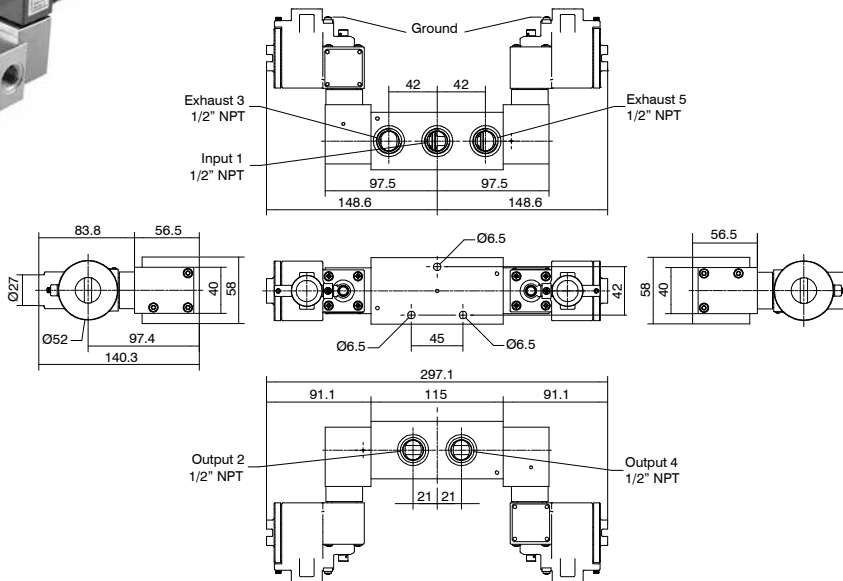
Maximum working pressure (bar)	Flow rate at 6 bar with $\Delta p=1$ (Nl/min)	Connections	Weight (g)	Cv	kv
10	3500	1/2" NPT	3679	3,55	53,03

Ordering code

SS12520M101L



Solenoid-solenoid valve



Minimum piloting pressure 3 bar
Fluid:
Filtered air. No lubrication needed, if applied it shall be continuous.
Inert Gas.
Sweet gas (natural).



Operational characteristics

Maximum working pressure (bar)	Flow rate at 6 bar with $\Delta p=1$ (Nl/min)	Connections	Weight (g)	Cv	kv
10	3500	1/2" NPT	4678	3,55	53,03

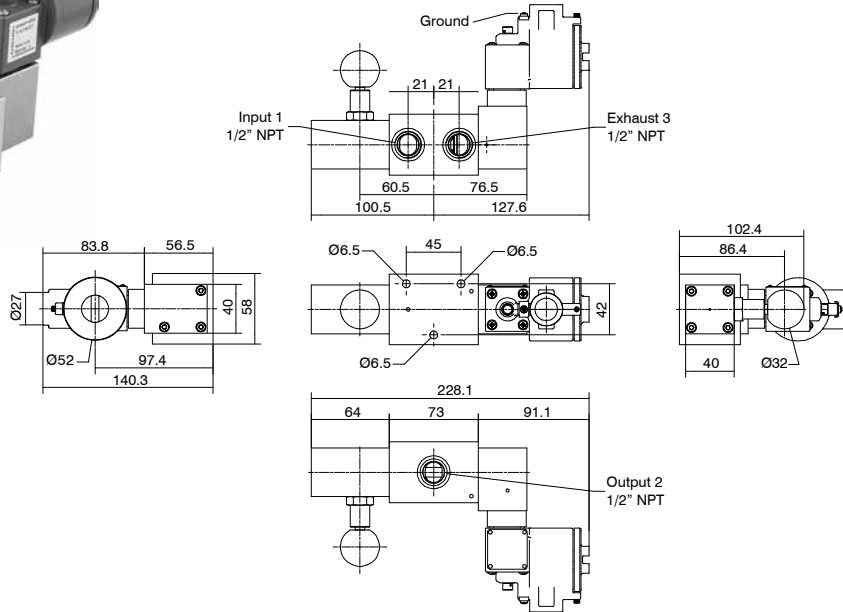
Ordering code

SS12520M1M1L



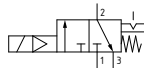


Solenoid valve with self-locking manual reset



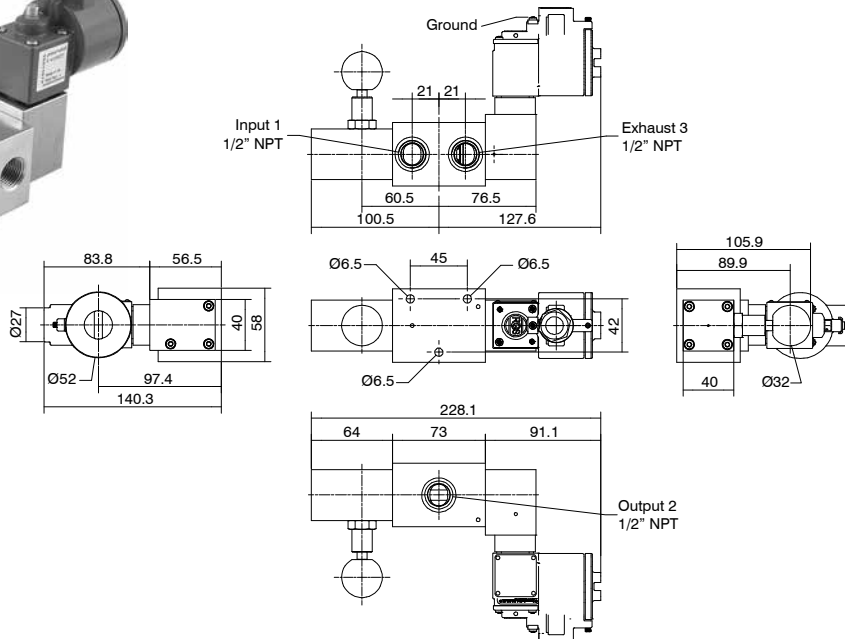
Ordering code
SS1232CM114L

Minimum piloting pressure 3 bar
Fluid:
Filtered air. No lubrication needed, if applied it shall be continuous.
Inert Gas.
Sweet gas (natural).



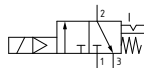
Operational characteristics					
Maximum working pressure (bar)	Flow rate at 6 bar with $\Delta p=1$ (NI/min)	Connections	Weight (g)	Cv	kv
10	3500	1/2" NPT	3358	3,55	53,03

Solenoid valve with self-locking manual reset inverted



Ordering code
SS1232CM115L

Minimum piloting pressure 3 bar
Fluid:
Filtered air. No lubrication needed, if applied it shall be continuous.
Inert Gas.
Sweet gas (natural).



Operational characteristics					
Maximum working pressure (bar)	Flow rate at 6 bar with $\Delta p=1$ (NI/min)	Connections	Weight (g)	Cv	kv
10	3500	1/2" NPT	3360	3,55	53,03

PROCESS AUTOMATION TECHNOLOGY

Valves 3/4" NPT series Steel line

Stainless steel brand series have been engineered and developed to meet process automation and Oil & Gas severe service requirements, where material performances, product reliability and health and safety issues are critical elements. As a result, Pneumax products are perfectly suitable to work with sweet gas media and corrosive / aggressive gases.

All external and internal parts are AISI 316L stainless steel material in compliance with NACE standard MR0175/ISO 15156-1.

The range includes 3 and 5 ways valves, designed according to the following configuration: pneumatic-spring valve, pneumatic-pneumatic valve. Accessories: non return valve, uni/bidirectional flow regulator and quick exhaust valve.

Pneumax valves have 3/4" NPT connections with 10000 NI/min maximum flow rate.

This version only provides single mounting.

Construction characteristics

Body	AISI 316L stainless steel
Operators	AISI 316L stainless steel
Spool	AISI 316L stainless steel
Spring	AISI 316 stainless steel
Screws	AISI 316 stainless steel (A4-70 stainless steel)
Seals	FPM (Fluoroelastomer) NBR and PU (Polyurethane) for low temperatures (-50°C) standard

Operating range

Fluid	Filtered air. No lubrication needed, if applied it shall be continuous. Inert Gas. Sweet gas (natural).
Operating temperature (for low temperature version L)	-50°C ... +70°C
Operating temperature (for high temperature version H)	-10°C ... +150°C
Maximum operating pressure	12 bar

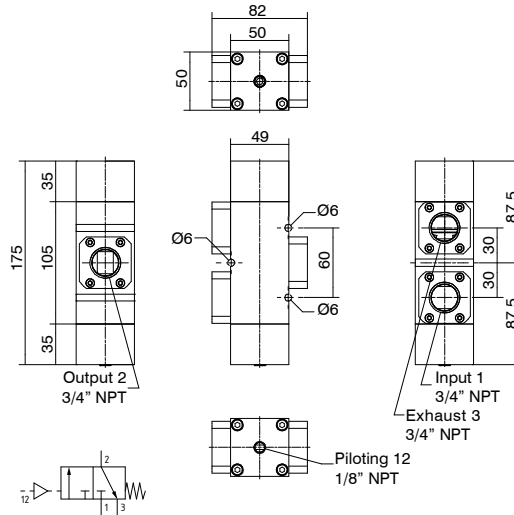
Certifications available:

ATEX   II 2 GD c IIC
 :   II 2G Ex h IIC Gb
  II 2D Ex h IIIC Db



: Suitable up to SIL 3

Pneumatic-spring valve



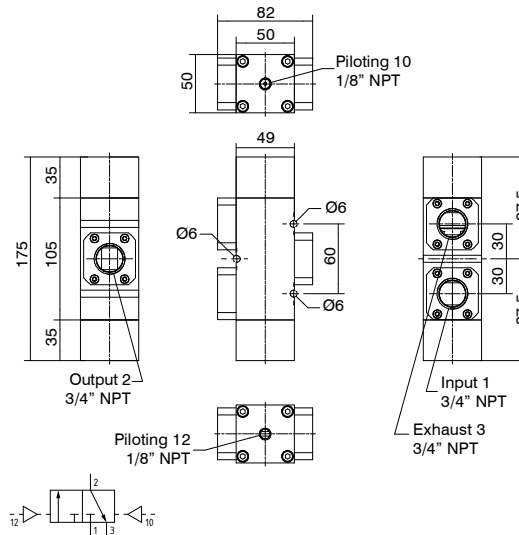
Ordering code
SS3432C1101

TYPE
L = Low temperature version
H = High temperature version

Minimum piloting pressure 3 bar
Maximum piloting pressure 8 bar
Fluid:
Filtered air. No lubrication needed, if applied it shall be continuous.
Inert Gas.
Sweet gas (natural).

Operational characteristics						
Maximum working pressure (bar)	Flow rate at 6 bar with $\Delta p=1$ (NI/min)	Connections	Pilot connections	Weight (g)	Cv	kv
12	10000	3/4" NPT	1/8" NPT	3190	10,16	151,51

Pneumatic-pneumatic valve



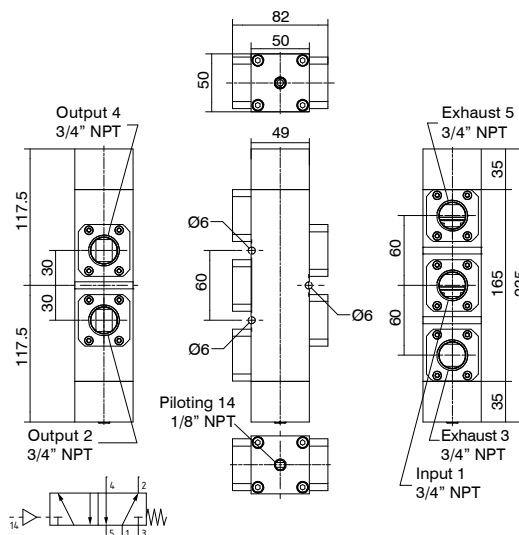
Ordering code
SS3432C1111

TYPE
L = Low temperature version
H = High temperature version

Minimum piloting pressure 3 bar
Maximum piloting pressure 8 bar
Fluid:
Filtered air. No lubrication needed, if applied it shall be continuous.
Inert Gas.
Sweet gas (natural).

Operational characteristics						
Maximum working pressure (bar)	Flow rate at 6 bar with $\Delta p=1$ (NI/min)	Connections	Pilot connections	Weight (g)	Cv	kv
12	10000	3/4" NPT	1/8" NPT	3165	10,16	151,51

Pneumatic-spring valve



Ordering code
SS345201101

TYPE
L = Low temperature version
H = High temperature version

Minimum piloting pressure 3 bar
Maximum piloting pressure 8 bar
Fluid:
Filtered air. No lubrication needed, if applied it shall be continuous.
Inert Gas.
Sweet gas (natural).

Operational characteristics						
Maximum working pressure (bar)	Flow rate at 6 bar with $\Delta p=1$ (NI/min)	Connections	Pilot connections	Weight (g)	Cv	kv
12	10000	3/4" NPT	1/8" NPT	4345	10,16	151,51



Valves 1" NPT series Steel line

Stainless steel brand series have been engineered and developed to meet process automation and Oil & Gas severe service requirements, where material performances, product reliability and health and safety issues are critical elements. As a result, Pneumax products are perfectly suitable to work with sweet gas media and corrosive / aggressive gases.

All external and internal parts are AISI 316L stainless steel material in compliance with NACE standard MR0175/ISO 15156-1.

The range includes 3 and 5 ways valves, designed according to the following configuration: pneumatic-spring valve, pneumatic-pneumatic valve. Accessories: non return valve, uni/bidirectional flow regulator and quick exhaust valve.

Pneumax valves have 1" NPT connections with 13500 NI/min maximum flow rate.

This version only provides single mounting.

Construction characteristics

Body	AISI 316L stainless steel
Operators	AISI 316L stainless steel
Spool	AISI 316L stainless steel
Spring	AISI 316 stainless steel
Screws	AISI 316 stainless steel (A4-70 stainless steel)
Seals	FPM (Fluoroelastomer) NBR and PU (Polyurethane) for low temperatures (-50°C) standard

Operating range

Fluid	Filtered air. No lubrication needed, if applied it shall be continuous. Inert Gas. Sweet gas (natural).
Operating temperature (for low temperature version L)	-50°C ... +70°C
Operating temperature (for high temperature version H)	-10°C ... +150°C
Maximum operating pressure	12 bar

Certifications available:

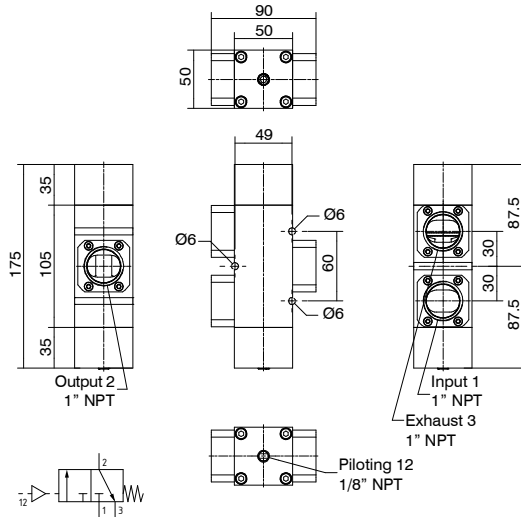


: Suitable up to SIL 3

Pneumatic-spring valve



Minimum piloting pressure 3 bar
Maximum piloting pressure 8 bar
Fluid:
Filtered air. No lubrication needed, if applied it shall be continuous.
Inert Gas.
Sweet gas (natural).



Ordering code
SS1132C1101T
TYPE
T L= Low temperature version H= High temperature version

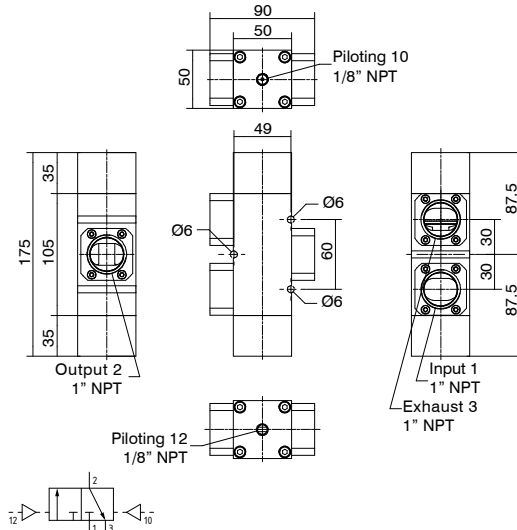
Operational characteristics

Maximum working pressure (bar)	Flow rate at 6 bar with $\Delta p=1$ (Nl/min)	Connections	Pilot connections	Weight (g)	Cv	kv
12	13500	1" NPT	1/8" NPT	3180	13,72	204,54

Pneumatic-pneumatic valve



Minimum piloting pressure 3 bar
Maximum piloting pressure 8 bar
Fluid:
Filtered air. No lubrication needed, if applied it shall be continuous.
Inert Gas.
Sweet gas (natural).



Ordering code
SS1132C1111T
TYPE
T L= Low temperature version H= High temperature version

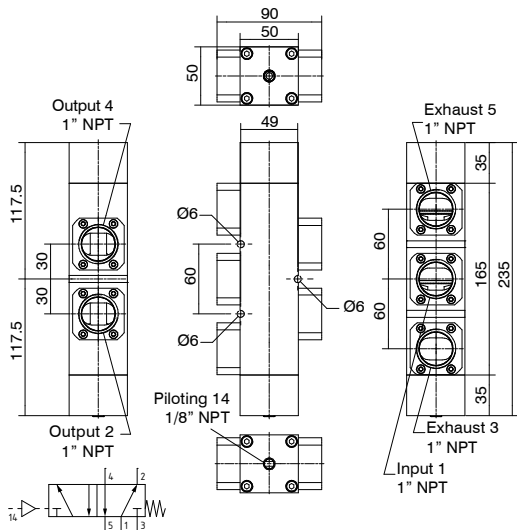
Operational characteristics

Maximum working pressure (bar)	Flow rate at 6 bar with $\Delta p=1$ (Nl/min)	Connections	Pilot connections	Weight (g)	Cv	kv
12	13500	1" NPT	1/8" NPT	3155	13,72	204,54

Pneumatic-spring valve



Minimum piloting pressure 3 bar
Maximum piloting pressure 8 bar
Fluid:
Filtered air. No lubrication needed, if applied it shall be continuous.
Inert Gas.
Sweet gas (natural).

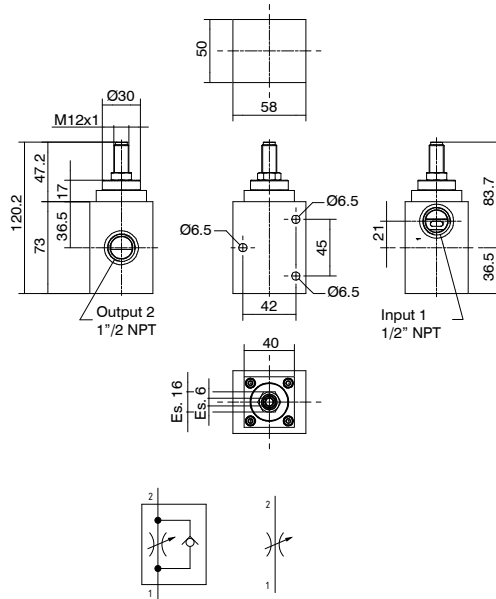


Ordering code
SS115201101T
TYPE
T L= Low temperature version H= High temperature version

Operational characteristics

Maximum working pressure (bar)	Flow rate at 6 bar with $\Delta p=1$ (Nl/min)	Connections	Pilot connections	Weight (g)	Cv	kv
12	13500	1" NPT	1/8" NPT	4325	13,72	204,54

Flow regulator 1/2" NPT



Fluid: Air, Inert Gas, Sweet gas (natural) - Filtered air.
No lubrication needed, if applied it shall be continuous.

Operational characteristics

Maximum working pressure (bar)	Flow rate at 6 bar with $\Delta p=1$ (Nl/min)	Connections	Weight (g)	Cv	kv
12	3500	1/2" NPT	1641	3,55	53,03

Ordering code

SS12RF

FUNCTION

U = Unidirectional

B = Bidirectional

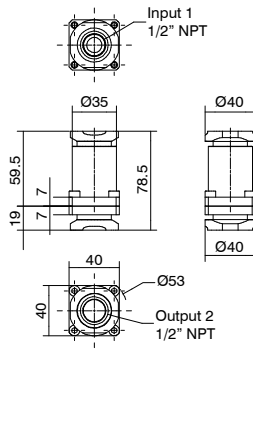
TYPE

L = Low temperature version

H = High temperature version

EAC Ex

Double seal non return valve



Fluid: Air, Inert Gas, Sweet gas (natural) - Filtered air.
No lubrication needed, if applied it shall be continuous.

Operational characteristics

Maximum working pressure (bar)	Flow rate at 6 bar with $\Delta p=1$ (Nl/min)	Connections	Weight (g)	Cv	kv
12	3500	1/2" NPT	444	3,55	53,03

Ordering code

SS12VUS

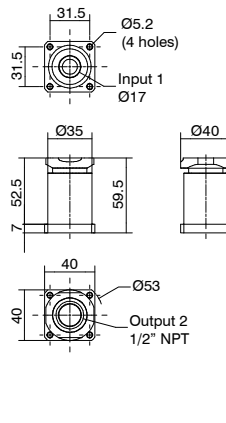
TYPE

L = Low temperature version

H = High temperature version

EAC Ex

Double seal non return valve for group



Fluid: Air, Inert Gas, Sweet gas (natural) - Filtered air.
No lubrication needed, if applied it shall be continuous.

Operational characteristics

Maximum working pressure (bar)	Flow rate at 6 bar with $\Delta p=1$ (Nl/min)	Connections	Weight (g)	Cv	kv
12	3500	1/2" NPT	296	3,55	53,03

Ordering code

SS12VUG

TYPE

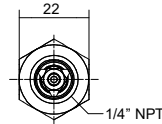
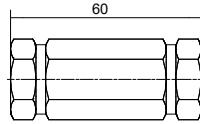
L = Low temperature version

H = High temperature version

EAC Ex



► Non return valve 1/4" NPT-F/F AISI 316L HT



Ordering code

SS14VU03SV4N

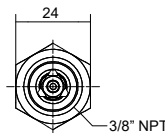
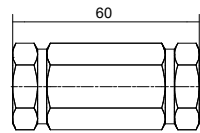


On request are available versions with temperature range: -55°C ... +150°C

Operational characteristics

Maximum working pressure (bar)	Flow rate at 6 bar with $\Delta p=1$ (Nl/min)	Minimum operating pressure differential (bar)	Leak-tight with pressure differential (bar)	Temperature °C	Weight (g)	Cv	kv
210	680	0,2	0,2	-25 ... +205	107	0,69	10,30

► Non return valve 3/8" NPT-F/F AISI 316L HT



Ordering code

SS38VU03SV6N

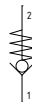
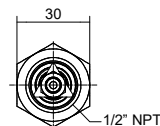
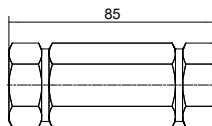


On request are available versions with temperature range: -55°C ... +150°C

Operational characteristics

Maximum working pressure (bar)	Flow rate at 6 bar with $\Delta p=1$ (Nl/min)	Minimum operating pressure differential (bar)	Leak-tight with pressure differential (bar)	Temperature °C	Weight (g)	Cv	kv
210	2020	0,2	0,2	-25 ... +205	253	2,05	30,60

► Non return valve 1/2" NPT-F/F AISI 316L HT



Ordering code

SS12VU03SV8N

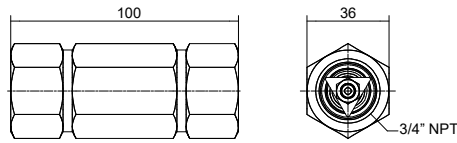


On request are available versions with temperature range: -55°C ... +150°C

Operational characteristics

Maximum working pressure (bar)	Flow rate at 6 bar with $\Delta p=1$ (Nl/min)	Minimum operating pressure differential (bar)	Leak-tight with pressure differential (bar)	Temperature °C	Weight (g)	Cv	kv
210	2650	0,2	0,2	-25 ... +205	380	2,69	40,15

▶ **Non return valve 3/4" NPT-F/F AISI 316L HT**



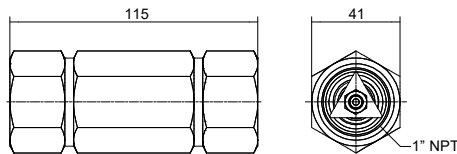
Ordering code
SS34VU03SV12N

On request are available versions with temperature range: -55°C ... +150°C

Operational characteristics

Maximum working pressure (bar)	Flow rate at 6 bar with $\Delta p=1$ (NI/min)	Minimum operating pressure differential (bar)	Leak-tight with pressure differential (bar)	Temperature °C	Weight (g)	Cv	kv
210	4030	0,2	0,2	-25 ... +205	577	4,09	61,06

▶ **Non return valve 1" NPT-F/F AISI 316L HT**



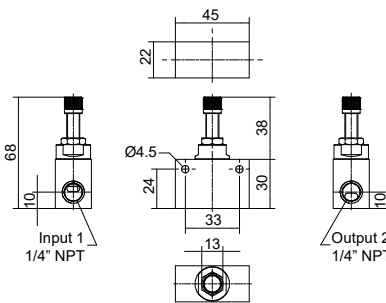
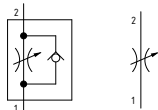
Ordering code
SS11VU03SV16N

On request are available versions with temperature range: -55°C ... +150°C

Operational characteristics

Maximum working pressure (bar)	Flow rate at 6 bar with $\Delta p=1$ (NI/min)	Minimum operating pressure differential (bar)	Leak-tight with pressure differential (bar)	Temperature °C	Weight (g)	Cv	kv
210	5500	0,2	0,2	-25 ... +205	774	5,59	83,33

Flow regulator 1/4" NPT single use



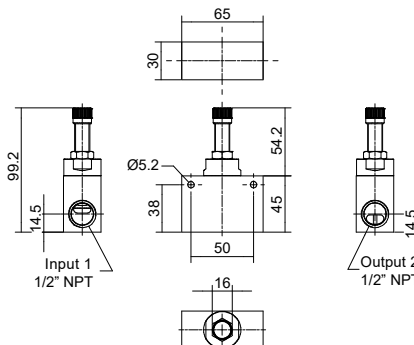
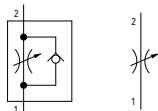
Ordering code
SS1401RF^FT

FUNCTION
F U = Unidirectional
B = Bidirectional

TYPE
T L = Low temperature version
H = High temperature version

Operational characteristics						
Maximum working pressure (bar)	Flow rate at 6 bar with $\Delta p=1$ (NI/min)	Connections	Weight (g)	Temperature °C		
12	700	1/4" NPT	219	-50 ... +70 (version L)	-10 ... +150 (version H)	Cv 0,71 kv 10,60

Flow regulator 1/2" NPT single use



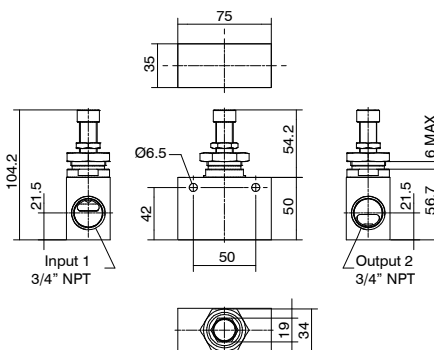
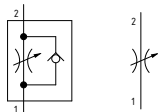
Ordering code
SS1201RF^FT

FUNCTION
F U = Unidirectional
B = Bidirectional

TYPE
T L = Low temperature version
H = High temperature version

Operational characteristics						
Maximum working pressure (bar)	Flow rate at 6 bar with $\Delta p=1$ (NI/min)	Connections	Weight (g)	Temperature °C		
12	2000	1/2" NPT	634,5	-50 ... +70 (version L)	-10 ... +150 (version H)	Cv 2,03 kv 30,30

Flow regulator 3/4" NPT single use



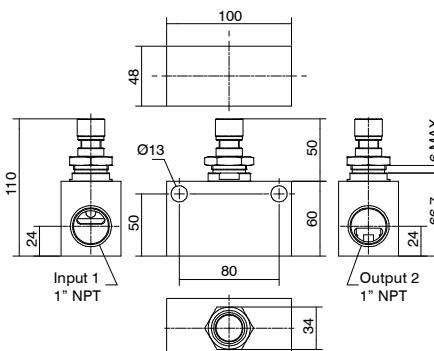
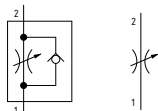
Ordering code
SS3401RF^FT

FUNCTION
F U = Unidirectional
B = Bidirectional

TYPE
T L = Low temperature version
H = High temperature version

Operational characteristics						
Maximum working pressure (bar)	Flow rate at 6 bar with $\Delta p=1$ (NI/min)	Connections	Weight (g)	Temperature °C		
12	2800	3/4" NPT	925	-50 ... +70 (version L)	-10 ... +150 (version H)	Cv 2,84 kv 42,42

Flow regulator 1" NPT single use



Ordering code
SS1101RF^FT

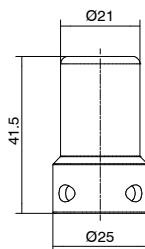
FUNCTION
F U = Unidirectional
B = Bidirectional

TYPE
T L = Low temperature version
H = High temperature version

Operational characteristics						
Maximum working pressure (bar)	Flow rate at 6 bar with $\Delta p=1$ (NI/min)	Connections	Weight (g)	Temperature °C		
12	3300	1" NPT	2000	-50 ... +70 (version L)	-10 ... +150 (version H)	Cv 3,35 kv 50

► Flow regulator system 1/4" NPT tamper-proof system

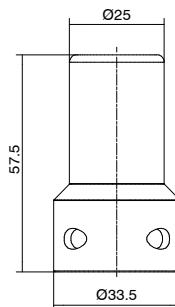
Ordering code
SS14RFK



Note: Available for 1/4" NPT flow regulator
We suggest using a long shackle padlock: Shackle diameter \leq 4mm
The padlock is not supplied with the product.
Weight 40 g

► Flow regulator system 1/2" NPT tamper-proof system

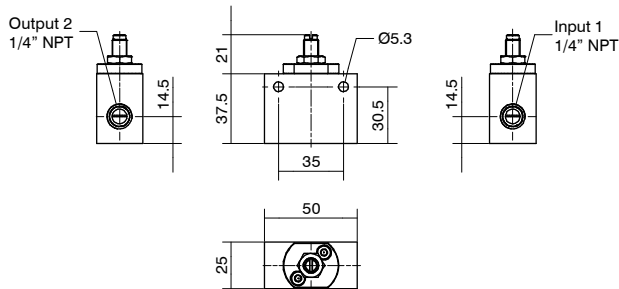
Ordering code
SS12RFK



Note: Available for 1/2" NPT flow regulator
We suggest using a long shackle padlock: Shackle diameter \leq 5mm
The padlock is not supplied with the product.
Weight 75 g



Bidirectional flow regulator 1/4" NPT high flow rate



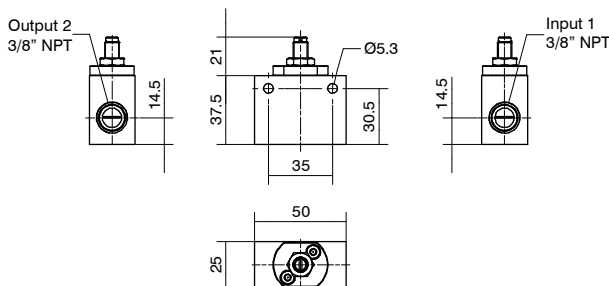
Flow rate with the needle in the fully closed position ~ 20 NI/min



Ordering code
SS14A1RFB^T
TYPE
^T L= Low temperature version H= High temperature version

Operational characteristics					
Maximum working pressure (bar)	Flow rate at 6 bar with $\Delta p=1$ (NI/min)	Connections	Weight (g)	Cv	kv
12	2200	1/4" NPT	400	2,23	33,33

Bidirectional flow regulator 3/8" NPT high flow rate



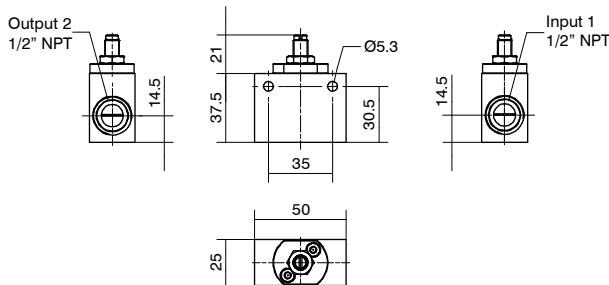
Flow rate with the needle in the fully closed position ~ 20 NI/min



Ordering code
SS38A1RFB^T
TYPE
^T L= Low temperature version H= High temperature version

Operational characteristics					
Maximum working pressure (bar)	Flow rate at 6 bar with $\Delta p=1$ (NI/min)	Connections	Weight (g)	Cv	kv
12	3200	3/8" NPT	380	3,25	48,48

Bidirectional flow regulator 1/2" NPT high flow rate



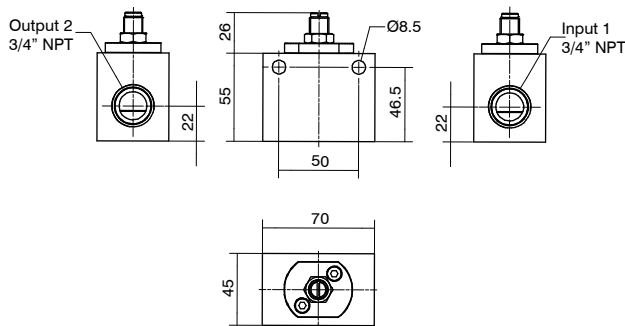
Flow rate with the needle in the fully closed position ~ 20 NI/min



Ordering code
SS12A1RFB^T
TYPE
^T L= Low temperature version H= High temperature version

Operational characteristics					
Maximum working pressure (bar)	Flow rate at 6 bar with $\Delta p=1$ (NI/min)	Connections	Weight (g)	Cv	kv
12	6500	1/2" NPT	360	6,60	98,48

Bidirectional flow regulator 3/4" NPT high flow rate



Flow rate with the needle in the fully closed position ~ 40 NI/min

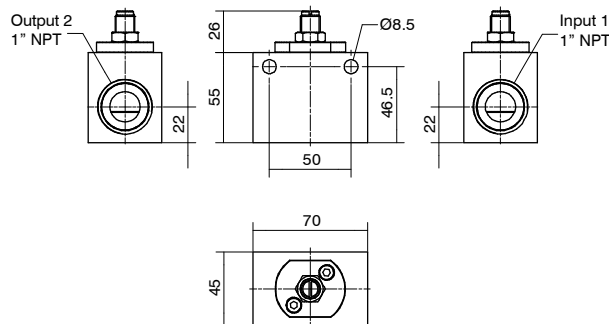


Operational characteristics

Maximum working pressure (bar)	Flow rate at 6 bar with $\Delta p=1$ (NI/min)	Connections	Weight (g)	Cv	kv
12	15000	3/4" NPT	1300	15,24	227,27

Ordering code
SS34A1RFB
TYPE
L= Low temperature version
H= High temperature version

Bidirectional Flow regulator 1" NPT high flow rate



Flow rate with the needle in the fully closed position ~ 70 NI/min

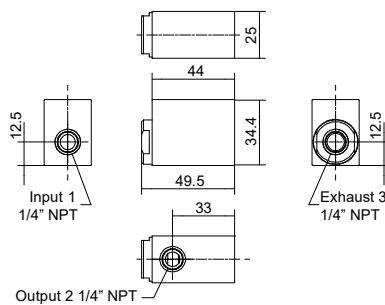
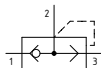


Operational characteristics

Maximum working pressure (bar)	Flow rate at 6 bar with $\Delta p=1$ (NI/min)	Connections	Weight (g)	Cv	kv
12	16500	1" NPT	1150	16,76	250

Ordering code
SS11A1RFB
TYPE
L= Low temperature version
H= High temperature version

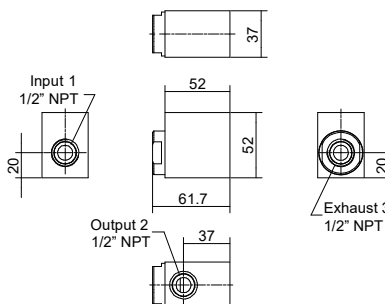
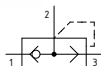
Quick exhaust valve 1/4" NPT



Ordering code
SS1402SR
TYPE
L = Low temperature version
H = High temperature version

Operational characteristics										
Maximum working pressure (bar)	Inlet flow rate at 6 bar with $\Delta p=1$ (NI/min)	Cv	kv	Flow rate from 2 to 3 at 6 bar on free exhaust (NI/min)	Cv	kv	Connections	Temperature °C		Weight (g)
12	700	0,71	10,60	2700	2,74	40,9	1/4" NPT	-50 ... +70 (version L)	-10 ... +150 (version H)	250

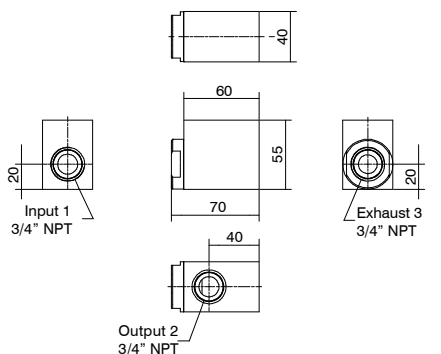
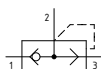
Quick exhaust valve 1/2" NPT



Ordering code
SS1202SR
TYPE
L = Low temperature version
H = High temperature version

Operational characteristics										
Maximum working pressure (bar)	Inlet flow rate at 6 bar with $\Delta p=1$ (NI/min)	Cv	kv	Flow rate from 2 to 3 at 6 bar on free exhaust (NI/min)	Cv	kv	Connections	Temperature °C		Weight (g)
12	2000	2,03	30,30	7150	7,26	108,33	1/2" NPT	-50 ... +70 (version L)	-10 ... +150 (version H)	617,5

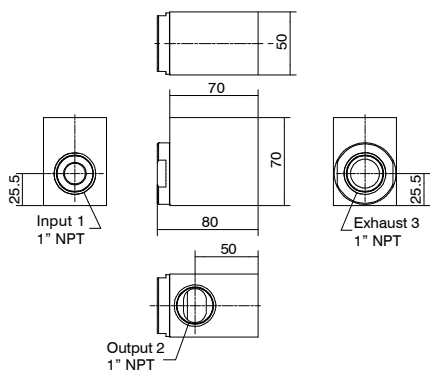
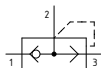
Quick exhaust valve 3/4" NPT



Ordering code
SS3402SR
TYPE
L = Low temperature version
H = High temperature version

Operational characteristics										
Maximum working pressure (bar)	Inlet flow rate at 6 bar with $\Delta p=1$ (NI/min)	Cv	kv	Flow rate from 2 to 3 at 6 bar on free exhaust (NI/min)	Cv	kv	Connections	Temperature °C		Weight (g)
12	3000	3,04	45,45	10000	10,16	151,51	3/4" NPT	-50 ... +70 (version L)	-10 ... +150 (version H)	745

Quick exhaust valve 1" NPT



Ordering code
SS1102SR
TYPE
L = Low temperature version
H = High temperature version

Operational characteristics										
Maximum working pressure (bar)	Inlet flow rate at 6 bar with $\Delta p=1$ (NI/min)	Cv	kv	Flow rate from 2 to 3 at 6 bar on free exhaust (NI/min)	Cv	kv	Connections	Temperature °C		Weight (g)
12	5000	5,08	75,75	18000	18,29	272,72	1" NPT	-50 ... +70 (version L)	-10 ... +150 (version H)	1365



Series SA - aluminium

PNEUMAX, worldwide recognized leader in industrial automation, provide a wide range of solutions and components for the process automation industry. Application oriented production and long-term experience in wide range applications makes Pneumax a reliable partner capable to assist the customers since the very beginning of project execution.

General

Brand aluminum valve series has been developed in compliance with the latest and most technologically advance testing and prototyping methodologies, to secure top performances and reliability. The widest product selection and configuration makes Pneumax aluminum valve a proper selection for both Grass Roots Plants execution and Plant retrofitting / upgrading.

Main industries served are Chemical, Petrochemical, Power Generation and Oil & Gas.

All external and internal parts are aluminum material.

The range includes balanced spool valves with 3 and 5 way function valves, with the following functions available: pneumatic-spring valve, pneumatic-pneumatic valve, 2 position push-pull valve (**only for 1/4" NPT version**), push button-spring valve (**only for 1/4" NPT version**), push button-pneumatic return valve (**only for 1/4" NPT version**).

Accessories which include: non return valve, uni/bidirectional flow regulator and quick exhaust valve.

1/8" NPT pilot connection.

Working port size

Flow at 6 bar with $\Delta p=1$ (NI/min)

1/4" NPT	1360
1/2" NPT	2500
1" NPT	6500



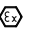
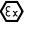
Construction characteristics

Body	Aluminium
Operators	Aluminium
Spacers	Aluminium
Spool	AISI 303 stainless steel
Spring	AISI 302 stainless steel
Screws	Stainless steel
Seals	NBR for low temperature (-30°C)

Operating range

Fluid	Filtered air. No lubrication needed, if applied it shall be continuous. Inert Gas. Sweet gas (natural).
Operating temperature	-30°C ... +70°C
Maximum operating pressure	12 bar

Certifications available:

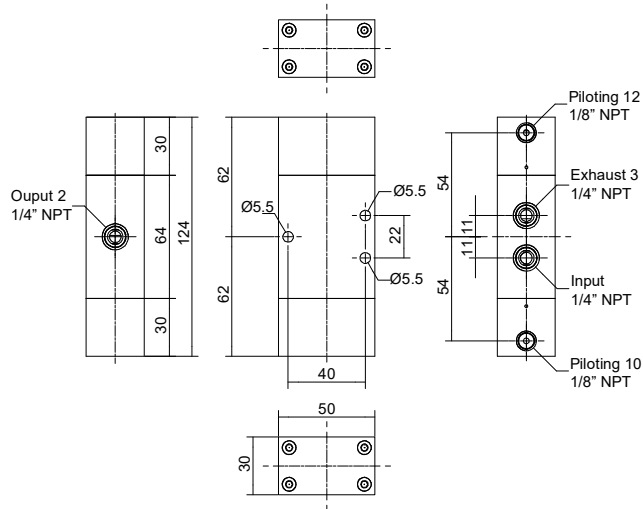
ATEX CE  II 2 GD c IIC T5 T100°C
 : [CE  II 2G Ex h IIC Gb
 CE  II 2D Ex h IIC T100°C Db]



: Suitable up to SIL 3



Pneumatic-Pneumatic



Minimum piloting pressure 2 bar

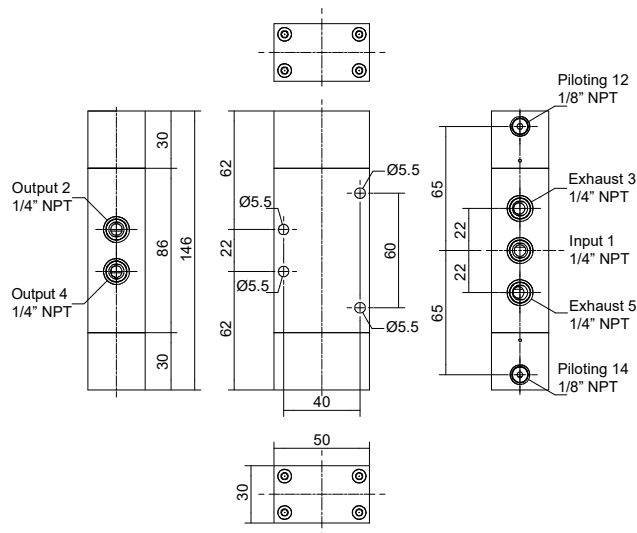
Operational characteristics

Fluid	Maximum working pressure (bar)	Temperature °C	Flow rate at 6 bar with $\Delta p=1$ (Nl/min)	Orifice size (mm)	Working port size	Pilot connections	Weight (g)	Cv	kv
Filtered and lubricated air	12	-30 ... +70	1360	8	1/4" NPT	1/8" NPT	470	1,38	20,60

Ordering code
SA1432C1111L

PROCESS AUTOMATION TECHNOLOGY

Pneumatic-Pneumatic



Minimum piloting pressure 2 bar

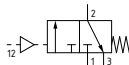
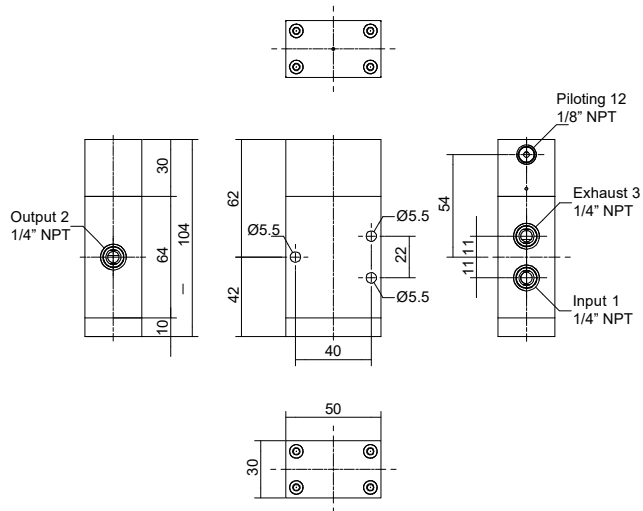


Operational characteristics

Fluid	Maximum working pressure (bar)	Temperature °C	Flow rate at 6 bar with $\Delta p=1$ (Nl/min)	Orifice size (mm)	Working port size	Pilot connections	Weight (g)	Cv	kv
Filtered and lubricated air	12	-30 ... +70	1360	8	1/4" NPT	1/8" NPT	550	1,38	20,60

Ordering code
SA145201111L

Pneumatic-Spring



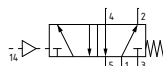
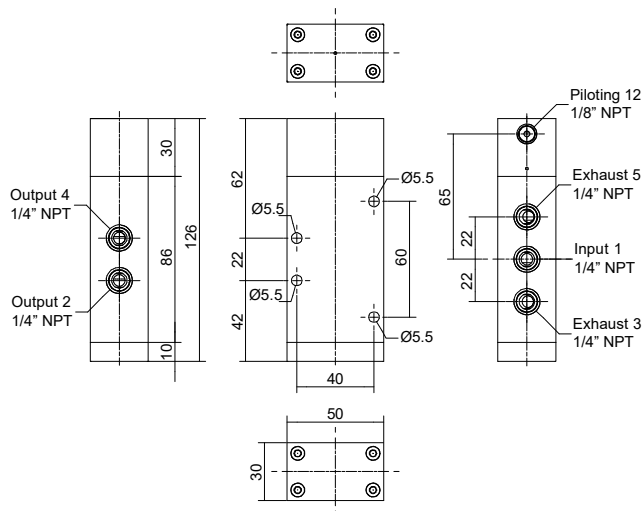
Minimum piloting pressure 2,5 bar

Operational characteristics

Fluid	Maximum working pressure (bar)	Temperature °C	Flow rate at 6 bar with $\Delta p=1$ (NI/min)	Orifice size (mm)	Working port size	Pilot connections	Weight (g)	Cv	kv
Filtered and lubricated air	12	-30 ... +70	1360	8	1/4" NPT	1/8" NPT	394	1,38	20,60

Ordering code
SA1432C1101L

Pneumatic-Spring



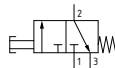
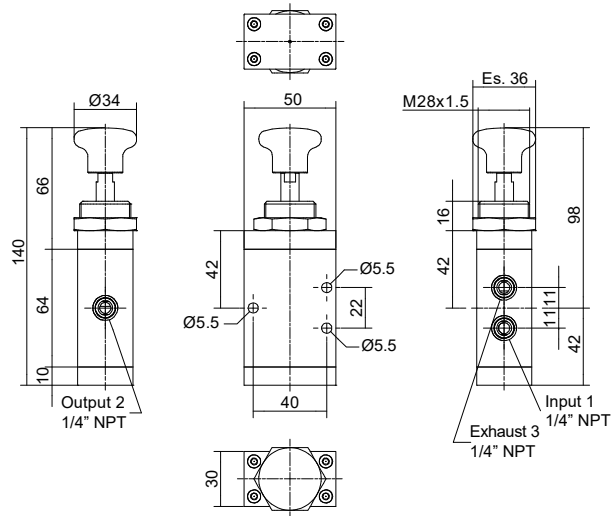
Minimum piloting pressure 2,5 bar

Operational characteristics

Fluid	Maximum working pressure (bar)	Temperature °C	Flow rate at 6 bar with $\Delta p=1$ (NI/min)	Orifice size (mm)	Working port size	Pilot connections	Weight (g)	Cv	kv
Filtered and lubricated air	12	-30 ... +70	1360	8	1/4" NPT	1/8" NPT	475	1,38	20,60

Ordering code
SA145201101L

► Push button-pneumatic valve

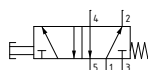
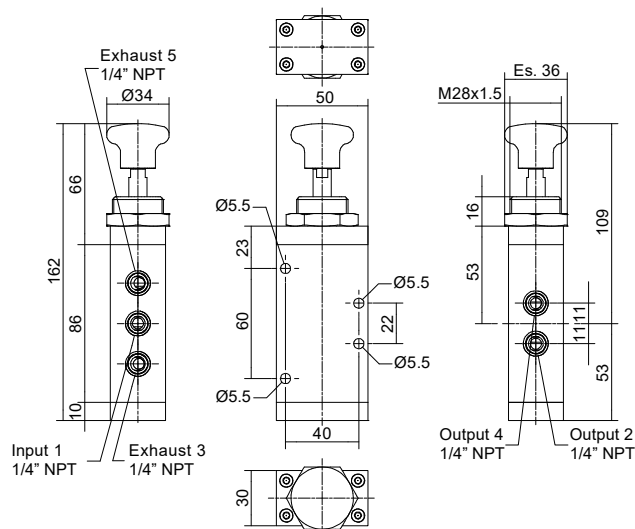


Operating force 71,5N

Operational characteristics								
Fluid	Maximum working pressure (bar)	Temperature °C	Flow rate at 6 bar with $\Delta p=1$ (Nl/min)	Orifice size (mm)	Working port size	Weight (g)	Cv	kv
Filtered and lubricated air	12	-30 ... +70	1360	8	1/4" NPT	405	1,38	20,60

Ordering code
SA1432C0801L

► Push button-pneumatic valve

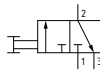
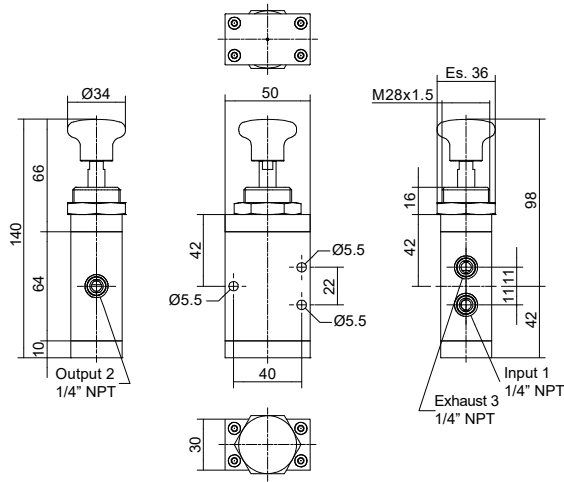


Operating force 71,5N

Operational characteristics								
Fluid	Maximum working pressure (bar)	Temperature °C	Flow rate at 6 bar with $\Delta p=1$ (Nl/min)	Orifice size (mm)	Working port size	Weight (g)	Cv	kv
Filtered and lubricated air	12	-30 ... +70	1360	8	1/4" NPT	487	1,38	20,60

Ordering code
SA145200801L

Bistable push button valve



Operating force 105N

Operational characteristics

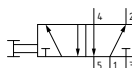
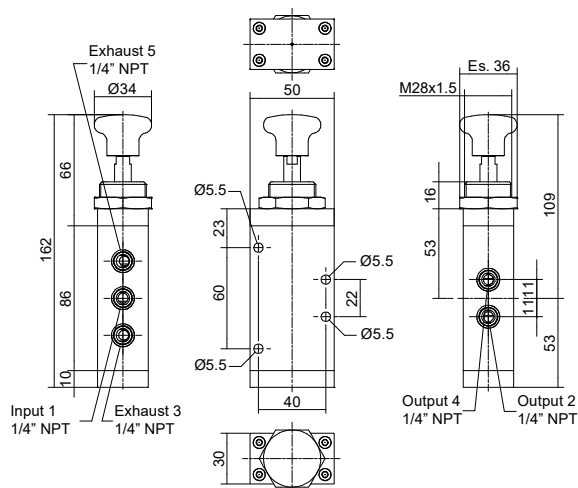
Fluid	Maximum working pressure (bar)	Temperature °C	Flow rate at 6 bar with $\Delta p=1$ (NI/min)	Orifice size (mm)	Working port size	Weight (g)	Cv	kv
Filtered and lubricated air	12	-30 ... +70	1360	8	1/4" NPT	395	1,38	20,60

Ordering code

SA1432C0803L



Bistable push button valve



Operating force 105N

Operational characteristics

Fluid	Maximum working pressure (bar)	Temperature °C	Flow rate at 6 bar with $\Delta p=1$ (NI/min)	Orifice size (mm)	Working port size	Weight (g)	Cv	kv
Filtered and lubricated air	12	-30 ... +70	1360	8	1/4" NPT	483	1,38	20,60

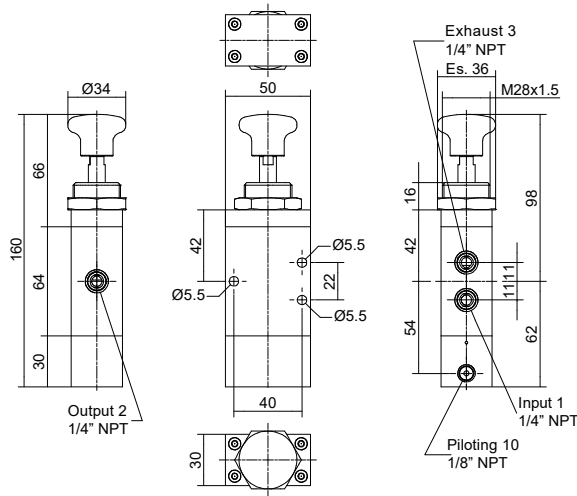
Ordering code

SA145200803L



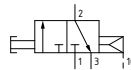


► Push button-pneumatic valve



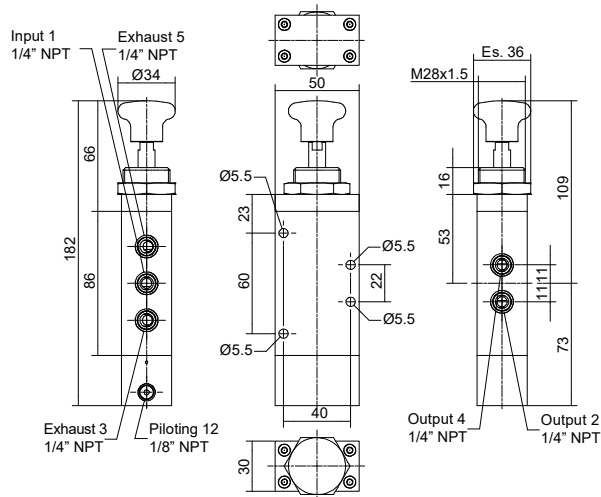
Ordering code
SA1432C0811L

Minimum piloting pressure 2 bar



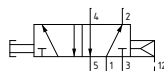
Operational characteristics									
Fluid	Maximum working pressure (bar)	Temperature °C	Flow rate at 6 bar with $\Delta p=1$ (Nl/min)	Orifice size (mm)	Working port size	Pilot connections	Weight (g)	Cv	kv
Filtered and lubricated air	12	-30 ... +70	1360	8	1/4" NPT	1/8" NPT	481	2,54	37,88

► Push button-pneumatic valve



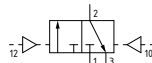
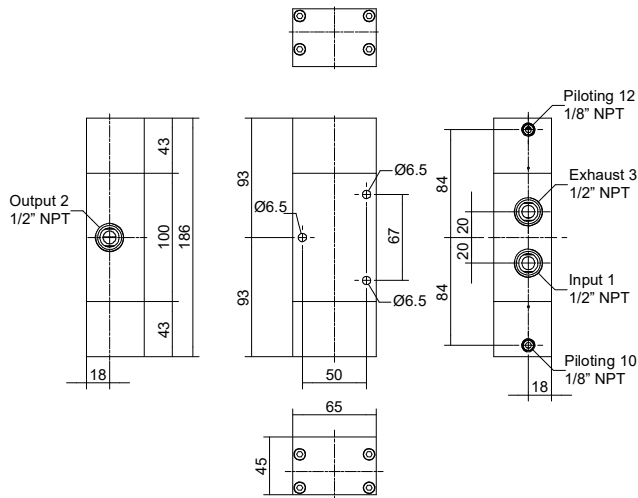
Ordering code
SA145200811L

Minimum piloting pressure 2 bar



Operational characteristics									
Fluid	Maximum working pressure (bar)	Temperature °C	Flow rate at 6 bar with $\Delta p=1$ (Nl/min)	Orifice size (mm)	Working port size	Pilot connections	Weight (g)	Cv	kv
Filtered and lubricated air	12	-30 ... +70	1360	8	1/4" NPT	1/8" NPT	561	2,54	37,88

Pneumatic-Pneumatic



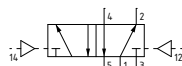
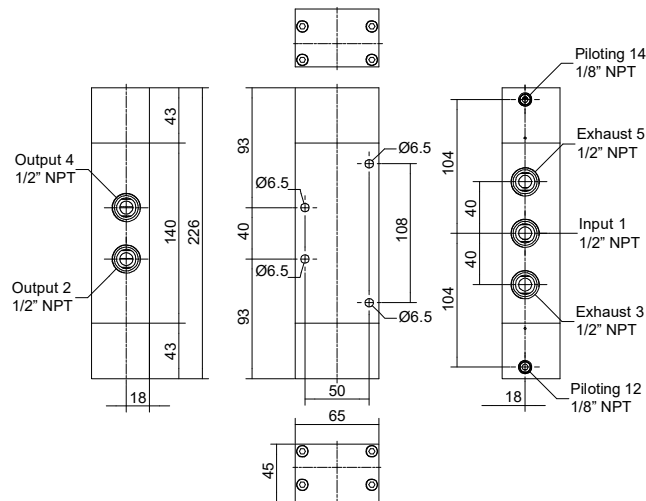
Minimum piloting pressure 2 bar

Operational characteristics

Fluid	Maximum working pressure (bar)	Temperature °C	Flow rate at 6 bar with $\Delta p=1$ (NI/min)	Orifice size (mm)	Working port size	Pilot connections	Weight (g)	Cv	kv
Filtered and lubricated air	12	-30 ... +70	2500	15	1/2" NPT	1/8" NPT	1360	2,54	37,88

Ordering code
SA1232C1111L

Pneumatic-Pneumatic



Minimum piloting pressure 2 bar

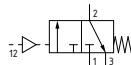
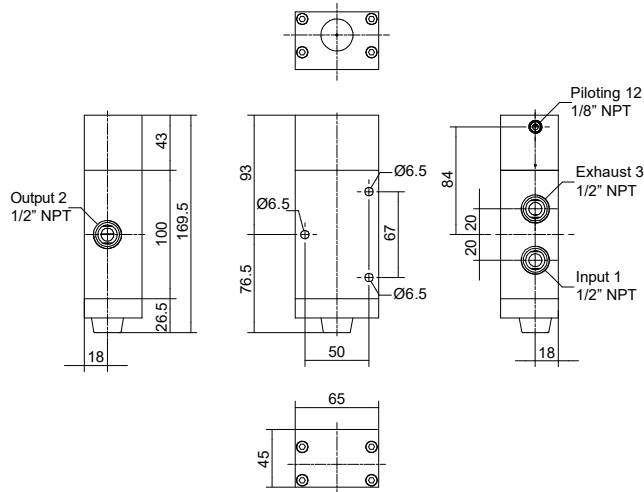
Operational characteristics

Fluid	Maximum working pressure (bar)	Temperature °C	Flow rate at 6 bar with $\Delta p=1$ (NI/min)	Orifice size (mm)	Working port size	Pilot connections	Weight (g)	Cv	kv
Filtered and lubricated air	12	-30 ... +70	2500	15	1/2" NPT	1/8" NPT	1660	2,54	37,88

Ordering code
SA125201111L



Pneumatic-Spring



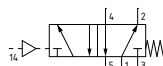
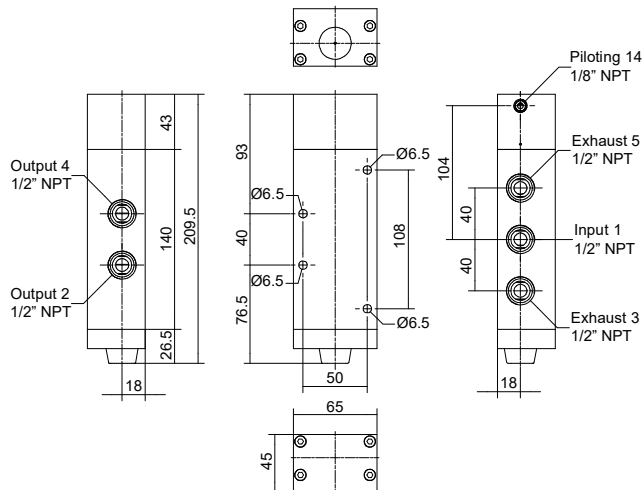
Minimum piloting pressure 2,5 bar

Operational characteristics

Fluid	Maximum working pressure (bar)	Temperature °C	Flow rate at 6 bar with $\Delta p=1$ (Nl/min)	Orifice size (mm)	Working port size	Pilot connections	Weight (g)	Cv	kv
Filtered and lubricated air	12	-30 ... +70	2500	15	1/2 NPT	1/8" NPT	1135	2,54	37,88

Ordering code
SA1232C1101L

Pneumatic-Spring



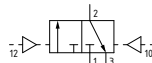
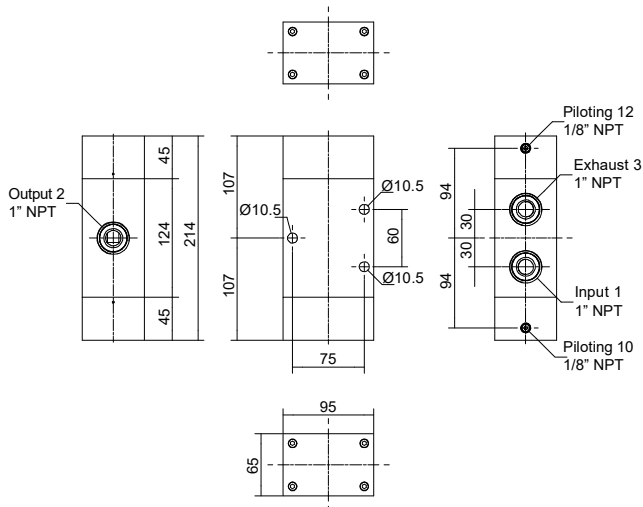
Minimum piloting pressure 2,5 bar

Operational characteristics

Fluid	Maximum working pressure (bar)	Temperature °C	Flow rate at 6 bar with $\Delta p=1$ (Nl/min)	Orifice size (mm)	Working port size	Pilot connections	Weight (g)	Cv	kv
Filtered and lubricated air	12	-30 ... +70	2500	15	1/2" NPT	1/8" NPT	1430	2,54	37,88

Ordering code
SA125201101L

Pneumatic-Pneumatic



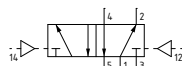
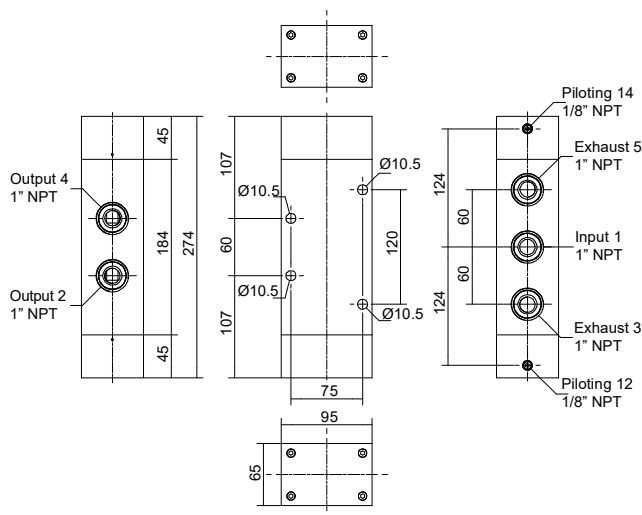
Minimum piloting pressure 2 bar

Operational characteristics

Fluid	Maximum working pressure (bar)	Temperature °C	Flow rate at 6 bar with $\Delta p=1$ (NI/min)	Orifice size (mm)	Working port size	Pilot connections	Weight (g)	Cv	kv
Filtered and lubricated air	12	-30 ... +70	6500	20	1" NPT	1/8" NPT	3315	6,60	98,48

Ordering code
SA1132C1111L

Pneumatic-Pneumatic



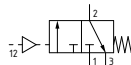
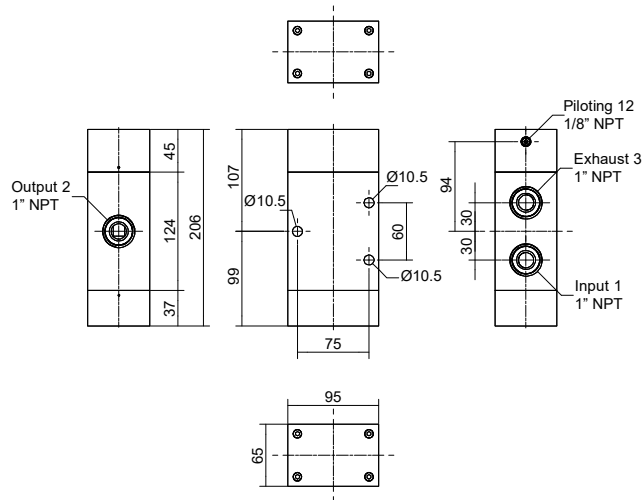
Minimum piloting pressure 2 bar

Operational characteristics

Fluid	Maximum working pressure (bar)	Temperature °C	Flow rate at 6 bar with $\Delta p=1$ (NI/min)	Orifice size (mm)	Working port size	Pilot connections	Weight (g)	Cv	kv
Filtered and lubricated air	12	-30 ... +70	6500	20	1" NPT	1/8" NPT	4220	6,60	98,48

Ordering code
SA115201111L

Pneumatic-Spring



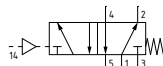
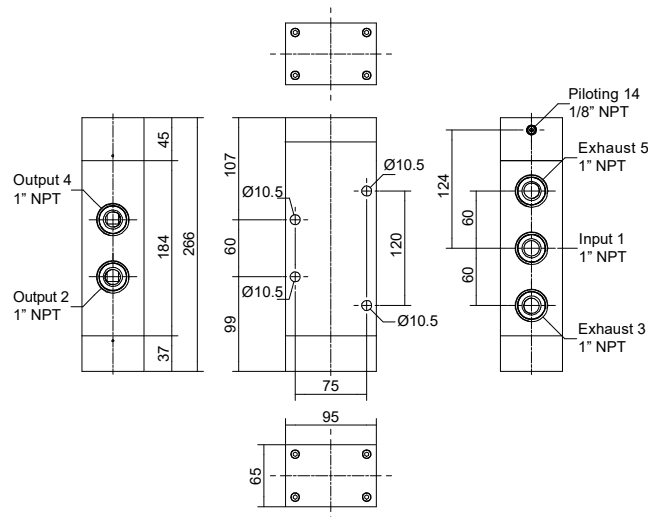
Minimum piloting pressure 2,5 bar

Operational characteristics									
Fluid	Maximum working pressure (bar)	Temperature °C	Flow rate at 6 bar with $\Delta p=1$ (Nl/min)	Orifice size (mm)	Working port size	Pilot connections	Weight (g)	Cv	kv
Filtered and lubricated air	12	-30 ... +70	6500	20	1" NPT	1/8" NPT	3225	6,60	98,48

Ordering code
SA1132C1101L

PROCESS AUTOMATION TECHNOLOGY

Pneumatic-Spring

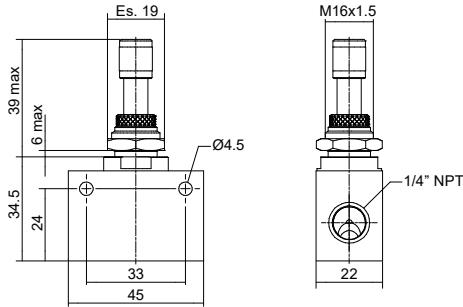
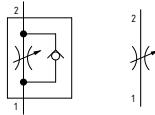


Minimum piloting pressure 2,5 bar

Operational characteristics									
Fluid	Maximum working pressure (bar)	Temperature °C	Flow rate at 6 bar with $\Delta p=1$ (Nl/min)	Orifice size (mm)	Working port size	Pilot connections	Weight (g)	Cv	kv
Filtered and lubricated air	12	-30 ... +70	6500	20	1" NPT	1/8" NPT	4130	6,60	98,48

Ordering code
SA115201101L

Flow regulator 1/4" NPT



Ordering code

A6.01.F

FUNCTION

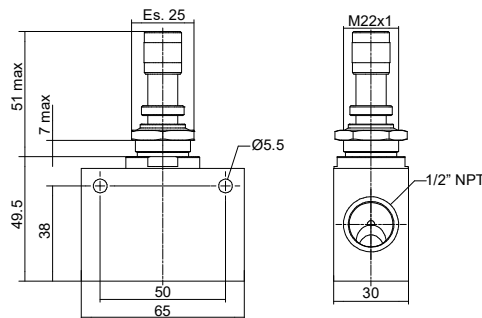
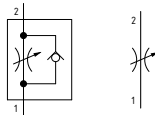
- F** 14N=Unidirectional
- 14/1N=Bidirectional



Operational characteristics

Fluid	Maximum working pressure (bar)	Flow rate at 6 bar with $\Delta p=1$ (NI/min)	Orifice size (mm)	Temperature °C	Weight (g)	Cv	kv
Filtered air	12	900	7	-30 ... +70	102	0,91	13,63

Flow regulator 1/2" NPT



Ordering code

A6.01.F

FUNCTION

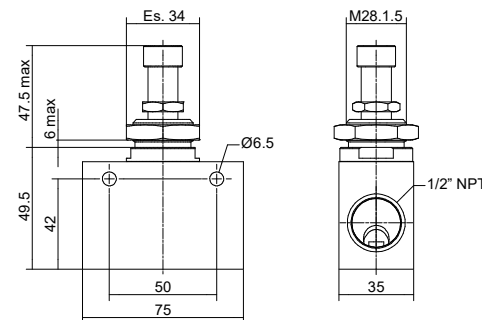
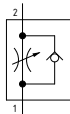
- F** 12N=Unidirectional
- 12/1N=Bidirectional



Operational characteristics

Fluid	Maximum working pressure (bar)	Flow rate at 6 bar with $\Delta p=1$ (NI/min)	Orifice size (mm)	Temperature °C	Weight (g)	Cv	kv
Filtered air	12	2000	12	-30 ... +70	276	2,03	30,30

Flow regulator 3/4" NPT - Unidirectional



Ordering code

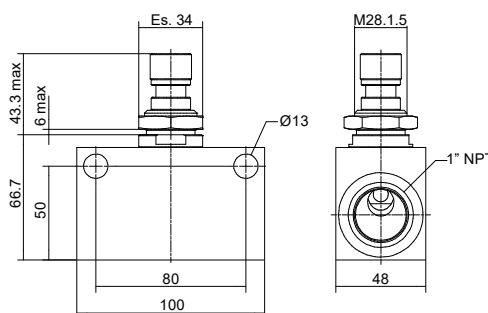
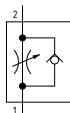
A6.01.34



Operational characteristics

Fluid	Maximum working pressure (bar)	Flow rate at 6 bar with $\Delta p=1$ (NI/min)	Orifice size (mm)	Temperature °C	Weight (g)	Cv	kv
Filtered air	12	2800	12	-30 ... +70	482	2,84	42,42

Flow regulator 1" NPT - Unidirectional



Ordering code

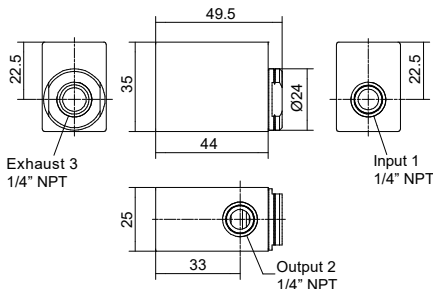
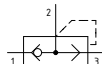
A6.01.11



Operational characteristics

Fluid	Maximum working pressure (bar)	Flow rate at 6 bar with $\Delta p=1$ (NI/min)	Orifice size (mm)	Temperature °C	Weight (g)	Cv	kv
Filtered air	12	3300	14	-30 ... +70	874	3,35	50

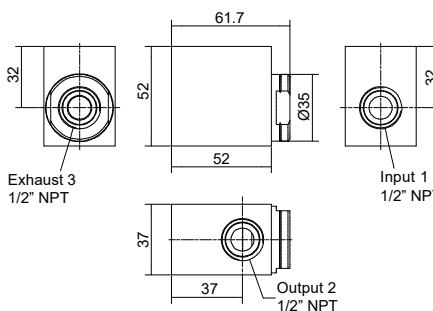
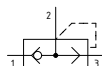
Quick exhaust valve 1/4" NPT



Ordering code
A6.02.14

Operational characteristics									
Fluid	Working pressure (bar)	Flow rate from 1 to 2 at 6 bar with $\Delta p=1$ (Nl/min)	Cv	kv	Flow rate from 2 to 3 at 6 bar on free exhaust (Nl/min)	Cv	kv	Temperature °C	Weight (g)
Filtered air	0,5 ... 10	500	0,50	0,75	2500	2,54	37,87	-30 ... +70	112

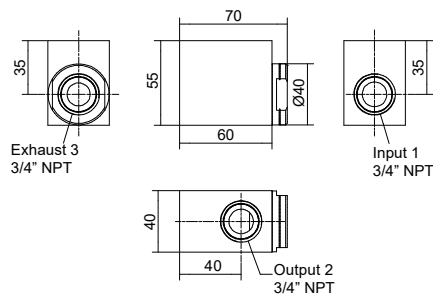
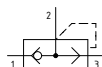
Quick exhaust valve 1/2" NPT



Ordering code
A6.02.12

Operational characteristics									
Fluid	Working pressure (bar)	Flow rate from 1 to 2 at 6 bar with $\Delta p=1$ (Nl/min)	Cv	kv	Flow rate from 2 to 3 at 6 bar on free exhaust (Nl/min)	Cv	kv	Temperature °C	Weight (g)
Filtered air	0,5 ... 10	1500	1,52	22,72	6000	6,10	90,90	-30 ... +70	310

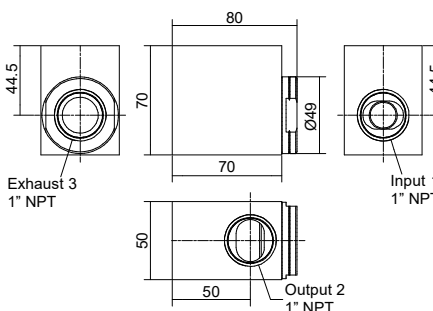
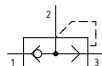
Quick exhaust valve 3/4" NPT



Ordering code
A6.02.34

Operational characteristics									
Fluid	Working pressure (bar)	Flow rate from 1 to 2 at 6 bar with $\Delta p=1$ (Nl/min)	Cv	kv	Flow rate from 2 to 3 at 6 bar on free exhaust (Nl/min)	Cv	kv	Temperature °C	Weight (g)
Filtered air	0,5 ... 10	3000	3,04	45,45	10000	10,16	151,51	-30 ... +70	400

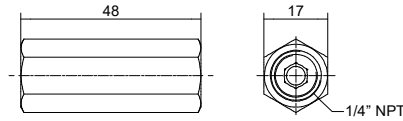
Quick exhaust valve 1" NPT



Ordering code
A6.02.11

Operational characteristics									
Fluid	Working pressure (bar)	Flow rate from 1 to 2 at 6 bar with $\Delta p=1$ (Nl/min)	Cv	kv	Flow rate from 2 to 3 at 6 bar on free exhaust (Nl/min)	Cv	kv	Temperature °C	Weight (g)
Filtered air	0,5 ... 10	5000	5,08	75,75	18000	18,29	272,72	-30 ... +70	670

▶ Non return valve 1/4" NPT

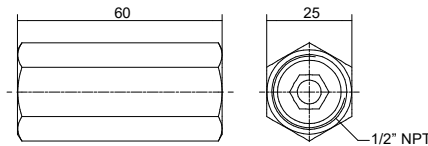


Ordering code

A6.07.14



▶ Non return valve 1/2" NPT



Ordering code

A6.07.12



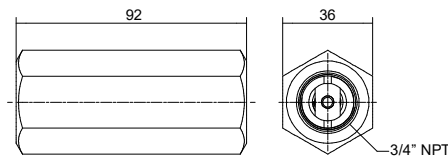
Operational characteristics

Fluid	Maximum working pressure (bar)	Flow rate at 6 bar with $\Delta p=1$ (NI/min)	Temperature °C	Weight (g)	Cv	kv
Filtered and lubricated air	12	1450	-30 ... +70	59	1,47	21,97

Operational characteristics

Fluid	Maximum working pressure (bar)	Flow rate at 6 bar with $\Delta p=1$ (NI/min)	Temperature °C	Weight (g)	Cv	kv
Filtered and lubricated air	12	3500	-30 ... +70	139	3,55	53,03

▶ Non return valve 3/4" NPT



Ordering code

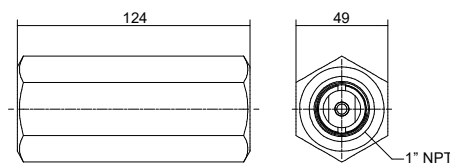
A6.07.34



Operational characteristics

Fluid	Maximum working pressure (bar)	Flow rate at 6 bar with $\Delta p=1$ (NI/min)	Temperature °C	Weight (g)	Cv	kv
Filtered and lubricated air	12	6250	-30 ... +70	564	6,35	94,69

▶ Non return valve 1" NPT



Ordering code

A6.07.11



Operational characteristics

Fluid	Maximum working pressure (bar)	Flow rate at 6 bar with $\Delta p=1$ (NI/min)	Temperature °C	Weight (g)	Cv	kv
Filtered and lubricated air	12	9500	-30 ... +70	1502	9,65	143,94



Valves poppet system 1/2" NPT - 3/4" NPT - 1" NPT 1 1/2" NPT series SA - aluminium

Pneumax poppet valves are excellent solution for application that requires high flow rates figures. Engineered and designed 3/2 configuration, normally closed and normally open, pneumatic-spring return execution. When used for compressed air, functionality is similar to spool valves.

Construction characteristics

Body	Aluminium
End covers	Aluminium
Actuators	NBR
Pistons	POM
Actuator rod	Stainless steel
Springs	Stainless steel
Seals	NBR

Operating range

Fluid	Filtered air. No lubrication needed, if applied it shall be continuous. Inert Gas. Sweet gas (natural).
Operating temperature	-30°C ... +70°C
Maximum operating pressure	12 bar

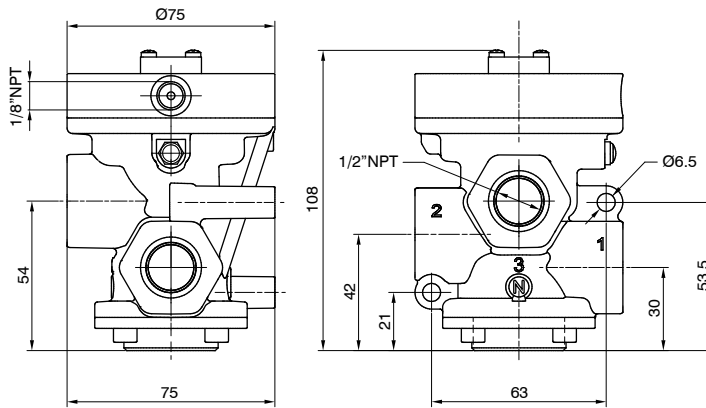
Certifications available:

ATEX II 2 GD c IIB T5 T100°C
 : II 2G Ex h IIB T5 Gb
 II 2D Ex h IIIC T100°C Db

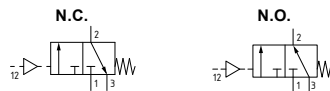


: Suitable up to SIL 3

Pneumatic-Spring - 1/2" NPT



Ordering code	
SA772321101F	
FUNCTION	
F	C= Normally Closed
	A= Normally Open

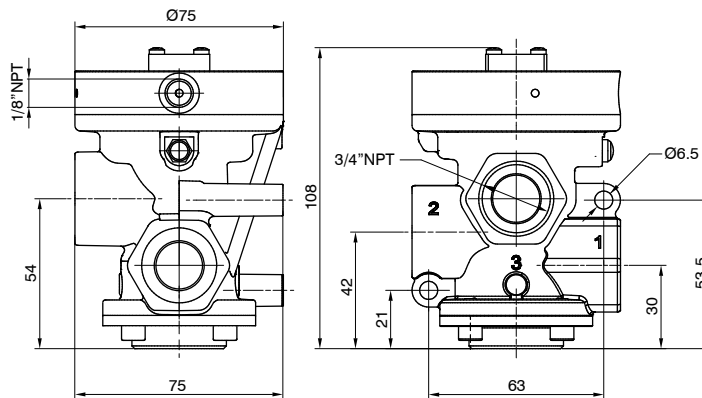


Normally closed
Minimum piloting pressure 2,5 bar

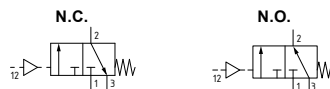
Operational characteristics

Fluid	Maximum working pressure (bar)	Temperature °C	Flow rate at 6 bar with $\Delta p=1$ (NI/min)	Orifice size (mm)	Working port size	Pilot connections	Cv	kv	Weight (g)
Filtered and lubricated air	12	-30 ... +70	4800	15	1/2" NPT	1/8" NPT	4,88	72,72	1100

Pneumatic-Spring - 3/4" NPT



Ordering code	
SA773321101F	
FUNCTION	
F	C= Normally Closed
	A= Normally Open

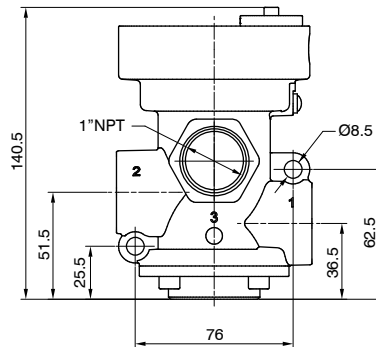
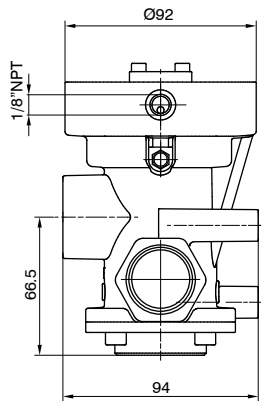


Normally closed
Minimum piloting pressure 2,5 bar

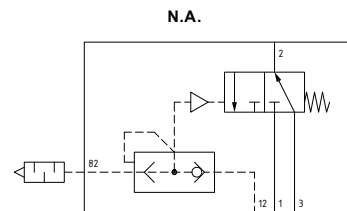
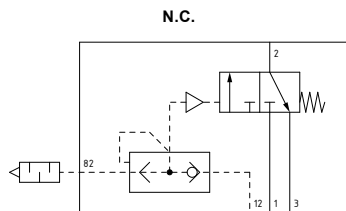
Operational characteristics

Fluid	Maximum working pressure (bar)	Temperature °C	Flow rate at 6 bar with $\Delta p=1$ (NI/min)	Orifice size (mm)	Working port size	Pilot connections	Cv	kv	Weight (g)
Filtered and lubricated air	12	-30 ... +70	6100	20	3/4" NPT	1/8" NPT	6,20	92,42	1050

Pneumatic-Spring - 1" NPT



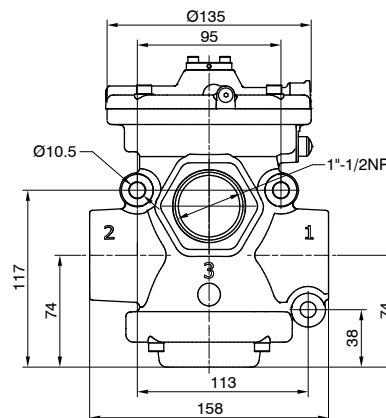
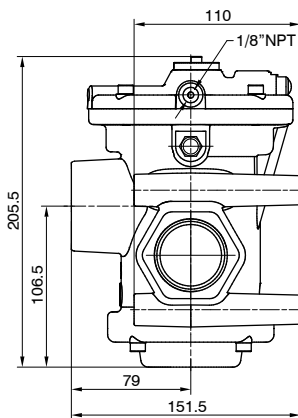
Ordering code
SA771321101F
FUNCTION
F C = Normally Closed
A = Normally Open



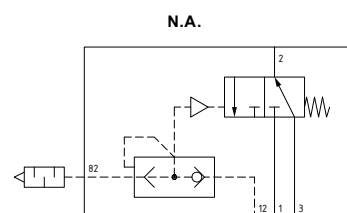
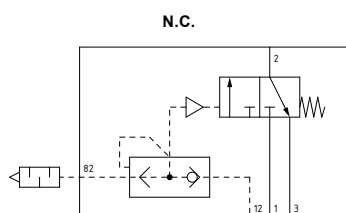
Normally closed
Minimum piloting pressure 2,5 bar

Operational characteristics									
Fluid	Maximum working pressure (bar)	Temperature °C	Flow rate at 6 bar with $\Delta p=1$ (Nl/min)	Orifice size (mm)	Working port size	Pilot connections	Cv	kv	Weight (g)
Filtered and lubricated air	12	-30 ... +70	12000	25	1" NPT	1/8" NPT	12,19	181,81	1050

Pneumatic-Spring - 1 1/2" NPT



Ordering code
SAN77632110F
FUNCTION
F 1 = Normally Closed
1A = Normally Open



Normally closed
Minimum piloting pressure 3 bar

Operational characteristics									
Fluid	Maximum working pressure (bar)	Temperature °C	Flow rate at 6 bar with $\Delta p=1$ (Nl/min)	Orifice size (mm)	Working port size	Pilot connections	Cv	kv	Weight (g)
Filtered and lubricated air	12	-30 ... +70	33500	38	1 1/2" NPT	1/8" NPT	34,04	507,57	3550

Valves and solenoid valves with "Namur" interface series 514 High Performance

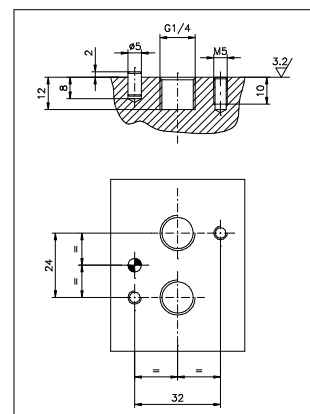
General

The valves 514 series are designed with interface connections in compliance with **NAMUR** standards. The range includes 5/2 and 4/2 versions with pneumatic or electric actuation and with NPT or BSPT connections. This series is classified for use in potentially explosive atmospheres (Directive 2014/34/EU). **NAMUR** valves have been designed to guarantee flexibility and an increased flow rate capacity exceeding that of traditional spool valves. Innovative materials guarantee high performances also in critical environment conditions. The solenoid valves are available with protection classes for zones 2-22, 1-21 solenoids Ex nA, Ex mb, Ex ia, international approvals IECEx, FM and CSA.

Note:

"Although accurately described, the 4/2 valve actually functions as a 3/2 normally closed valve and should be used as such."

NAMUR interface dimensions:
according to standard (VDI/VDE 3847 July 2003)



Construction characteristics

Body	Aluminium
Spacers	Technopolymer
Seals	Nitrile rubber
Springs	Stainless steel
Operators	Technopolymer
Spools	Steel
Screws	Zinc coated steel / Stainless steel



Order codes

51 4 52.00.39 B04

Model
: Standard valve
X : ATEX valve
(-20°C ... +40°C) - only with solenoid coils "B##", "C##" e "X##"
(-30°C ... +50°C) - only with solenoid coils "MHC", "MH#"

Connections
4 : G1/4" - supplied with plate
6 : 1/4" NPT - supplied with plate

Function and version
42.00.16: 4 ways - Pneumatic-Differential
42.00.18: 4 ways - Pneumatic-Pneumatic
42.00.19: 4 ways - Pneumatic-Spring
42.00.35: 4 ways - Solenoid-Solenoid
42.00.36: 4 ways - Solenoid-Differential
42.00.39: 4 ways - Solenoid-Spring
52.00.16: 5 ways - Pneumatic-Differential
52.00.18: 5 ways - Pneumatic-Pneumatic
52.00.19: 5 ways - Pneumatic-Spring
52.00.35: 5 ways - Solenoid-Solenoid
52.00.36: 5 ways - Solenoid-Differential
52.00.39: 5 ways - Solenoid-Spring
92.00.16: Universal kit - Pneumatic-Differential
92.00.18: Universal kit - Pneumatic-Pneumatic
92.00.19: Universal kit - Pneumatic-Spring
92.00.35: Universal kit - Solenoid-Solenoid
92.00.36: Universal kit - Solenoid-Differential
92.00.39: Universal kit - Solenoid-Spring

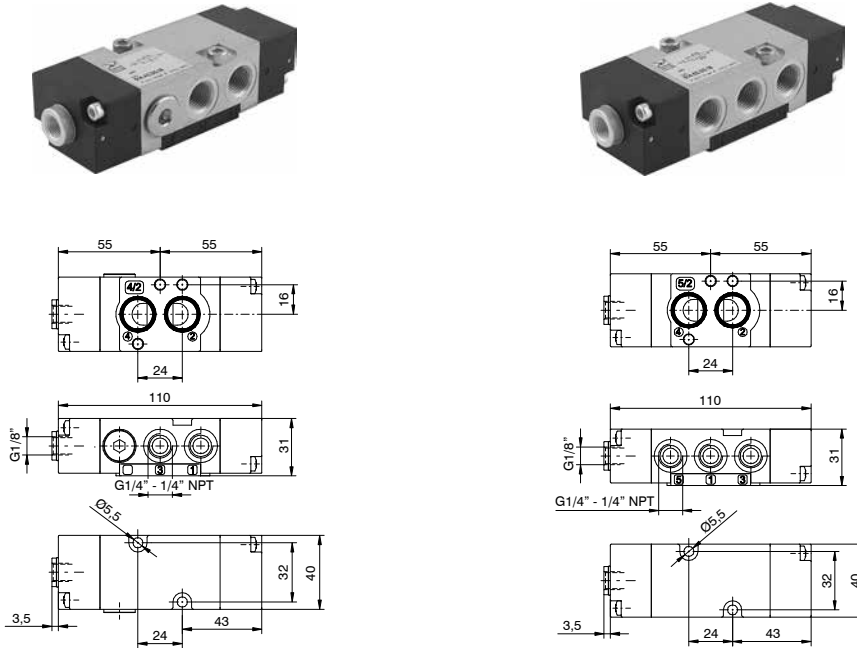
Voltages	Valve marking with ATEX solenoid coil	Protection method of the ATEX solenoid coil
B00: Ø10 stem without solenoid coil to be used with the following solenoid coils	: CE IEC II 2G Ex h IIC T5 Gb X CE IEC II 2D Ex h IIIC T96°C Db X	/
B04: 12 VDC - for all models B05: 24 VDC - for all models B09: 24 VDC (2W) - only for standard model B56: 24 VAC (50-60 Hz) - for all models B57: 110 VAC (50-60 Hz) - for all models B58: 230 VAC (50-60 Hz) - for all models C04: 12 VDC - for all models C05: 24 VDC - for all models C09: 24 VDC (2W) - only for standard model C56: 24 VAC (50-60 Hz) - for all models C57: 110 VAC (50-60 Hz) - for all models C58: 230 VAC (50-60 Hz) - for all models	: CE IEC II 3G Ex h IIC T4 Gc X CE IEC II 3D Ex h IIIC T120°C Dc X IP65	Ex ec Ex tc
F00: Ø9 stem without solenoid coil to be used with the following solenoid coils	: CE IEC II 2G Ex h IIC T5 Gb X CE IEC II 2D Ex h IIIC T96°C Db X	/
X05: 24 VDC - only for ATEX model X56: 24 VAC (50-60 Hz) - only for ATEX model X57: 110 VAC (50-60 Hz) - only for ATEX model X58: 230 VAC (50-60 Hz) - only for ATEX model	: CE IEC II 2G Ex h IIC T4 Gb X CE IEC II 2D Ex h IIIC T135°C Db X IP65	Ex mb
MHC: 32 VDC T6 - only for ATEX model complete with connector	: CE IEC II 2G Ex h IIB/IIC T4 Gb X CE IEC II 2D Ex h IIIC T130°C Db X IP65	Ex ia
MH4: 32 VDC T4 - only for ATEX model MH6: 32 VDC T6 - only for ATEX model	: CE IEC II 2G Ex h IIB/IIC T4 Gb X	Ex ia
Voltages	Valve marking with FM solenoid coil	
L04: 12 VDC - only for FM APPROVED model L05: 24 VDC - only for FM APPROVED model L39: 120 VAC - only for FM APPROVED model L41: 240 VAC - only for FM APPROVED model		
FM APPROVED valve (-20°C ... +50°C) - only with solenoid coils "L##"		

Temperature options
: Standard valve (-10°C ... +50°C)
LT : Low temperature (-30°C ... +50°C)

Example : 514.52.00.39.B04 : Standard valve, G1/4" connections supplied with plate, solenoid-spring 5 ways, 12 VDC solenoid coil

Pneumatic-Differential

Operational characteristics	
Fluid	Filtered air. No lubrication needed, if applied it shall be continuous.
Maximum working pressure (bar)	10
Temperature °C	See order codes page
Flow rate at 6 bar with $\Delta p=1$ (NI/min)	1100
Orifice size (mm)	8
Working port size	G 1/4" - 1/4" NPT
Cv	1,11
kv	16,66

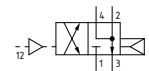


Ordering code: **M51C.F.00.16**

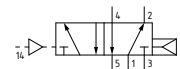
MODEL	= Standard valves
X	= ATEX valves
CONNECTIONS	
4	= G1/4"
6	= 1/4" NPT
FUNCTION	
42	= 4 ways
52	= 5 ways
TEMPERATURE OPTION	See order codes page

Minimum pilot pressure 2,5 bar
Maximum fittings torque 9 N/m

M51C.42.00.16 Weight 240 g



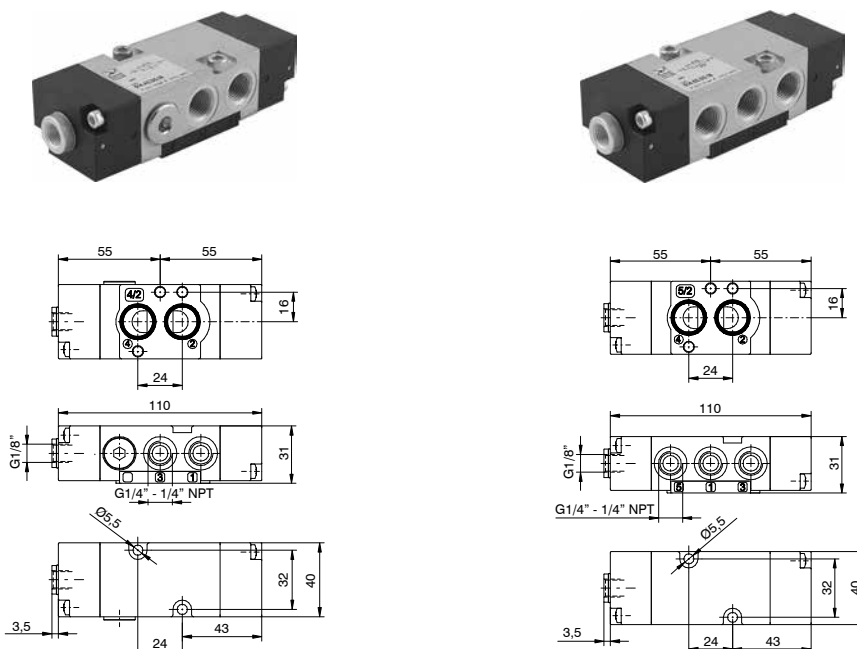
M51C.52.00.16 Weight 235 g



PROCESS AUTOMATION TECHNOLOGY

Pneumatic-Pneumatic

Operational characteristics	
Fluid	Filtered air. No lubrication needed, if applied it shall be continuous.
Maximum working pressure (bar)	10
Temperature °C	See order codes page
Flow rate at 6 bar with $\Delta p=1$ (NI/min)	1100
Orifice size (mm)	8
Working port size	G 1/4" - 1/4" NPT
Cv	1,11
kv	16,66

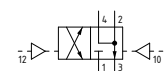


Ordering code: **M51C.F.00.18**

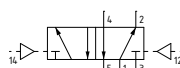
MODEL	= Standard valves
X	= ATEX valves
CONNECTIONS	
4	= G1/4"
6	= 1/4" NPT
FUNCTION	
42	= 4 ways
52	= 5 ways
TEMPERATURE OPTION	See order codes page

Minimum pilot pressure 2,5 bar
Maximum fittings torque 9 N/m

M51C.42.00.18 Weight 240 g



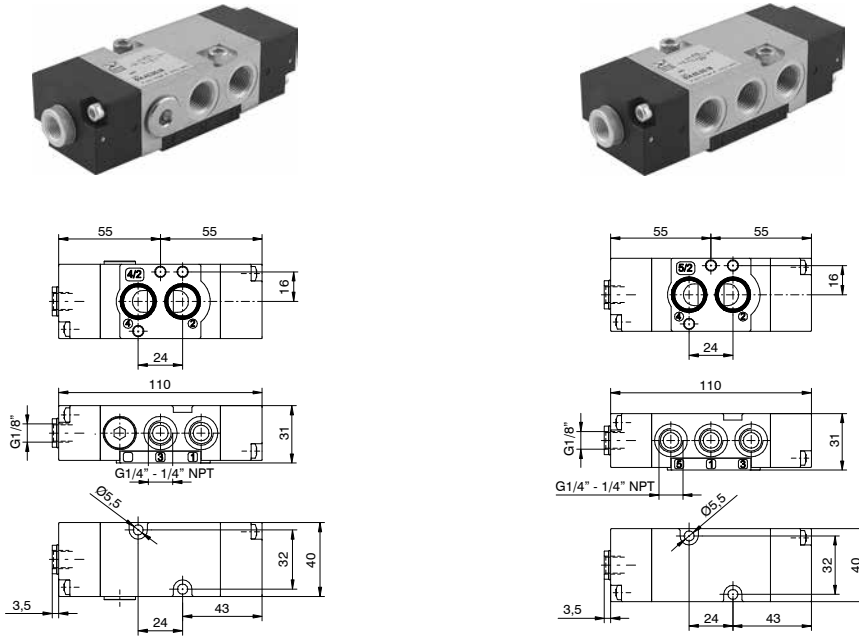
M51C.52.00.18 Weight 235 g



Pneumatic-Spring

Operational characteristics

Fluid	Filtered air. No lubrication needed, if applied it shall be continuous.
Maximum working pressure (bar)	10
Temperature °C	See order codes page
Flow rate at 6 bar with Δp=1 (NI/min)	1100
Orifice size (mm)	8
Working port size	G 1/4" - 1/4" NPT
Cv	1,11
kv	16,66

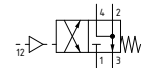


Ordering code: **M51C.F.00.19**

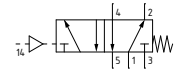
M	MODEL
	= Standard valves
X	= ATEX valves
CONNECTIONS	
C	4 = G1/4"
	6 = 1/4" NPT
FUNCTION	
F	42 = 4 ways
	52 = 5 ways
TEMPERATURE OPTION	
O	See order codes page

Minimum pilot pressure 2,5 bar
Maximum fittings torque 9 N/m

M51C.42.00.19 Weight 240 g



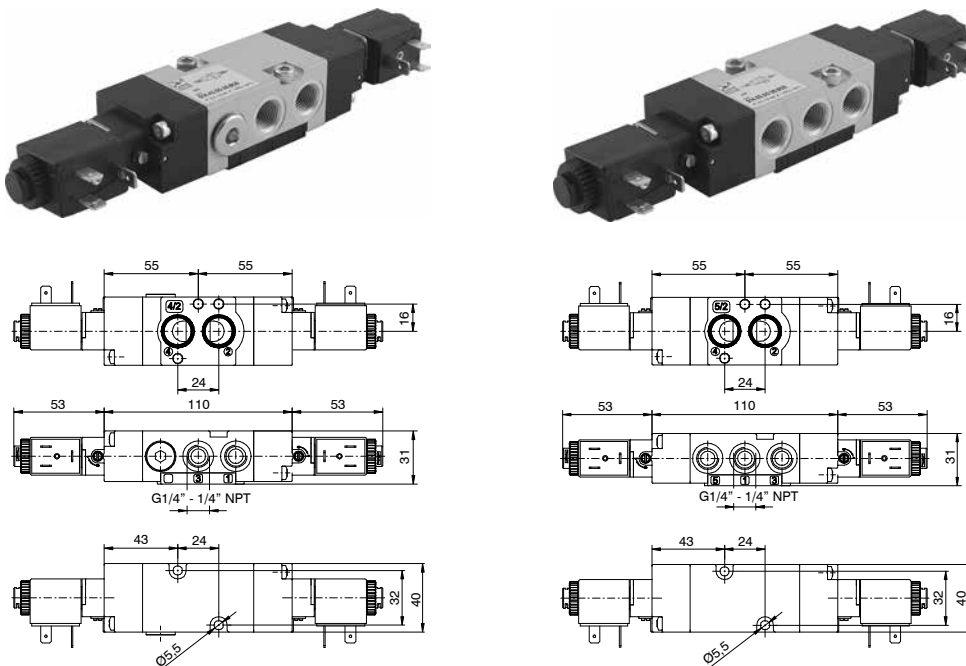
M51C.52.00.19 Weight 235 g



Solenoid-Solenoid

Operational characteristics

Fluid	Filtered air. No lubrication needed, if applied it shall be continuous.
Maximum working pressure (bar)	10
Temperature °C	See order codes page
Flow rate at 6 bar with Δp=1 (NI/min)	1100
Orifice size (mm)	8
Working port size	G 1/4" - 1/4" NPT
Cv	1,11
kv	16,66

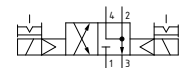


Ordering code: **M51C.F.00.35.T.O**

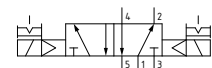
M	MODEL
	= Standard valves
X	= ATEX valves
CONNECTIONS	
C	4 = G1/4"
	6 = 1/4" NPT
FUNCTION	
F	42 = 4 ways
	52 = 5 ways
VOLTAGE	
T	See order codes page
TEMPERATURE OPTION	
O	See order codes page

Minimum pilot pressure 2,5 bar
Maximum fittings torque 9 N/m

M51C.42.00.35.T.O Weight 410 g

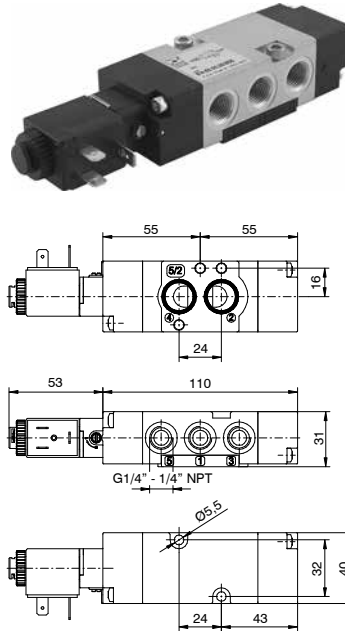
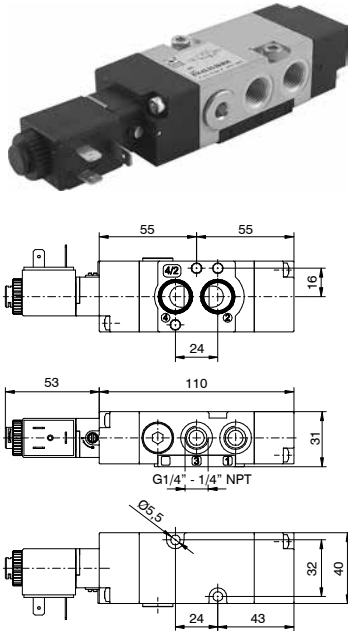


M51C.52.00.35.T.O Weight 405 g



Solenoid-Differential

Operational characteristics	
Fluid	Filtered air. No lubrication needed, if applied it shall be continuous.
Maximum working pressure (bar)	10
Temperature °C	See order codes page
Flow rate at 6 bar with $\Delta p=1$ (Nl/min)	1100
Orifice size (mm)	8
Working port size	G 1/4" - 1/4" NPT
Cv	1,11
kv	16,66

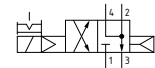


Ordering code: **M51C.F.00.36.T.O**

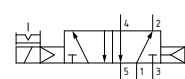
M	MODEL
	= Standard valves
X	ATEX valves
CONNECTIONS	
C	4 = G1/4"
	6 = 1/4" NPT
FUNCTION	
F	42 = 4 ways
	52 = 5 ways
VOLTAGE	
T	See order codes page
TEMPERATURE OPTION	
O	See order codes page

Minimum pilot pressure 2,5 bar
Maximum fittings torque 9 N/m

M51C.42.00.36.T.O Weight 330 g



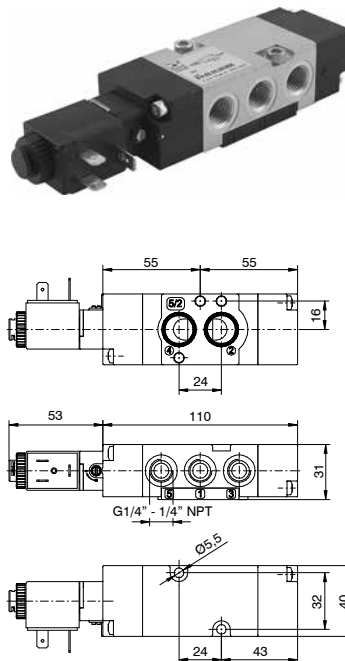
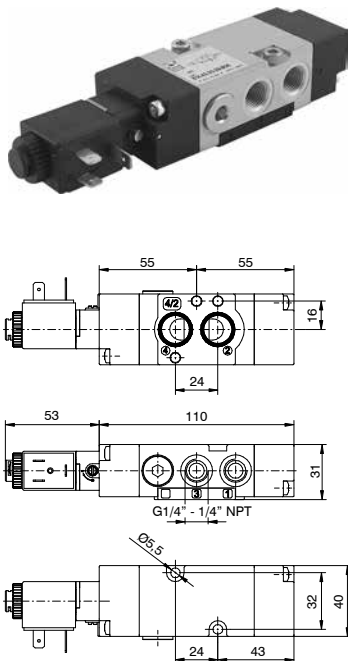
M51C.52.00.36.T.O Weight 325 g



PROCESS AUTOMATION TECHNOLOGY

Pneumatic-Spring

Operational characteristics	
Fluid	Filtered air. No lubrication needed, if applied it shall be continuous.
Maximum working pressure (bar)	10
Temperature °C	See order codes page
Flow rate at 6 bar with $\Delta p=1$ (Nl/min)	1100
Orifice size (mm)	8
Working port size	G 1/4" - 1/4" NPT
Cv	1,11
kv	16,66

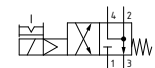


Ordering code: **M51C.F.00.39.T.O**

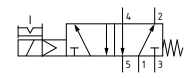
M	MODEL
	= Standard valves
X	ATEX valves
CONNECTIONS	
C	4 = G1/4"
	6 = 1/4" NPT
FUNCTION	
F	42 = 4 ways
	52 = 5 ways
VOLTAGE	
T	See order codes page
TEMPERATURE OPTION	
O	See order codes page

Minimum pilot pressure 2,5 bar
Maximum fittings torque 9 N/m

M51C.42.00.39.T.O Weight 330 g



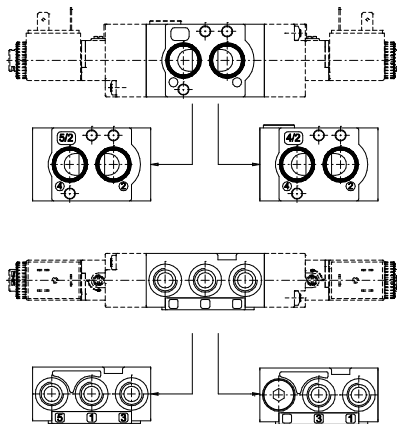
M51C.52.00.39.T.O Weight 325 g



► Universal kit

Operational characteristics

Fluid	Filtered air. No lubrication needed, if applied it shall be continuous.
Maximum working pressure (bar)	10
Temperature °C	See order codes page
Flow rate at 6 bar with Δp=1 (Nl/min)	1100
Orifice size (mm)	8
Working port size	G 1/4" - 1/4" NPT
Cv	1,11
kv	16,66



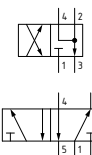
Ordering code: **M51C.92.00.V.T.O**

M	MODEL
	= Standard valves
	X = ATEX valves
C	CONNECTIONS
	4 = G1/4"
	6 = 1/4" NPT
	VERSION
	16 = Pneumatic - Differential
	18 = Pneumatic - Pneumatic
V	19 = Pneumatic - Spring
	35 = Solenoid - Solenoid
	36 = Solenoid - Differential
	39 = Solenoid - Spring
T	VOLTAGE
	See order codes page
O	TEMPERATURE OPTION
	See order codes page

Minimum pilot pressure 2,5 bar
Maximum fittings torque 9 N/m

To change a 5/2 valve into a 4/2:
Simply replace the bottom plate with the one included in the universal kit (cod. 514.92...) and by plugging port 5

M51C.92.00.V.T.O Weight 405 g



Valves and solenoid valves with “NAMUR” interface series 515 High Performance

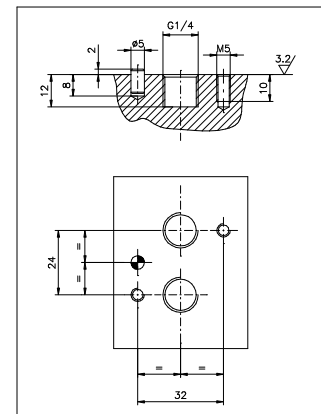
General

The valves 515 series are designed with interface connections in compliance with **NAMUR** standards. The range includes 5/2 version with pneumatic or electric actuation and with NPT or BSPT connections. This series is classified for use in potentially explosive atmospheres (Directive 2014/34/EU). **NAMUR** valves have been designed to guarantee flexibility and an increased flow rate capacity exceeding that of traditional spool valves. Innovative materials guarantee high performances also in critical environment conditions. The solenoid valves are available with protection classes for zones 2-22, 1-21 solenoids Ex ec, Ex mb, Ex ia, international approvals IECEx, FM and CSA.

ATTENTION:

It differs from version 514 because it is supplied without plate.

NAMUR interface dimensions:
according to standard (VDI/VDE 3847 July 2003)



Construction characteristics

Body	Aluminium
Spacers	Technopolymer
Seals	Nitrile rubber
Springs	Stainless steel
Operators	Technopolymer
Spools	Steel
Screws	Zinc coated steel / Stainless steel

Order codes

51 5 52.00.39 B04

Model
: Standard valve
X : ATEX valve
(-20°C ... +40°C) - only with solenoid coils "B##", "C##" e "X##"
(-30°C ... +50°C) - only with solenoid coils "MHC", "MH#"

Connections
5 : G1/4" - supplied without plate
7 : 1/4" NPT - supplied without plate

Function and version
52.00.16 : 5 ways - Pneumatic-Differential
52.00.18 : 5 ways - Pneumatic-Pneumatic
52.00.19 : 5 ways - Pneumatic-Spring
52.00.35 : 5 ways - Solenoid-Solenoid
52.00.36 : 5 ways - Solenoid-Differential
52.00.39 : 5 ways - Solenoid-Spring

Voltages	Valve marking with ATEX solenoid coil	Protection method of the ATEX solenoid coil
B00 : Ø10 stem without solenoid coil to be used with the following solenoid coils	II 2G Ex h IIC T5 Gb X II 2D Ex h IIIC T96°C Db X	/
B04 : 12 VDC - for all models B05 : 24 VDC - for all models B09 : 24 VDC (2W) - only for standard model B56 : 24 VAC (50-60 Hz) - for all models B57 : 110 VAC (50-60 Hz) - for all models B58 : 230 VAC (50-60 Hz) - for all models C04 : 12 VDC - for all models C05 : 24 VDC - for all models C09 : 24 VDC (2W) - only for standard model C56 : 24 VAC (50-60 Hz) - for all models C57 : 110 VAC (50-60 Hz) - for all models C58 : 230 VAC (50-60 Hz) - for all models	II 3G Ex h IIC T4 Gc X II 3D Ex h IIIC T120°C Dc X IP65	Ex ec Ex tc
F00 : Ø9 stem without solenoid coil to be used with the following solenoid coils	II 2G Ex h IIC T5 Gb X II 2D Ex h IIIC T96°C Db X	/
X05 : 24 VDC - only for ATEX model X56 : 24 VAC (50-60 Hz) - only for ATEX model X57 : 110 VAC (50-60 Hz) - only for ATEX model X58 : 230 VAC (50-60 Hz) - only for ATEX model	II 2G Ex h IIC T4 Gb X II 2D Ex h IIIC T135°C Db X IP65	Ex mb
MHC : 32 VDC T6 - only for ATEX model complete with connector	II 2G Ex h IIB/IIC T4 Gb X II 2D Ex h IIIC T130°C Db X IP65	Ex ia
MH4 : 32 VDC T4 - only for ATEX model MH6 : 32 VDC T6 - only for ATEX model	II 2G Ex h IIB/IIC T4 Gb X	Ex ia
Voltages	Valve marking with FM solenoid coil	
L04 : 12 VDC - only for FM APPROVED model L05 : 24 VDC - only for FM APPROVED model L39 : 120 VAC - only for FM APPROVED model L41 : 240 VAC - only for FM APPROVED model		
FM APPROVED valve (-20°C ... +50°C) - only with solenoid coils "L##"		

Temperature options
: Standard valve (-10°C ... +50°C)
LT : Low temperature (-30°C ... +50°C)

Example : 515.52.00.39.B04 : Standard valve, G1/4" connections supplied without plate, solenoid-spring 5 ways, 12 VDC solenoid coil

Pneumatic-Differential

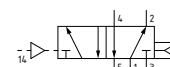
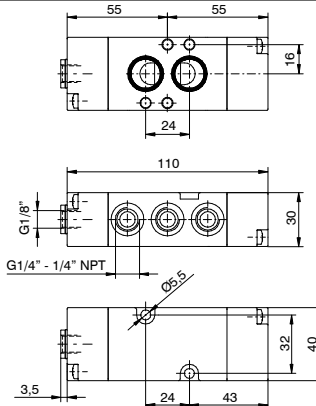
Ordering code: **M51C.52.00.16**

Operational characteristics	
Fluid	Filtered air. No lubrication needed, if applied it shall be continuous.
Maximum working pressure (bar)	10
Temperature °C	See order codes page
Flow rate at 6 bar with $\Delta p=1$ (NI/min)	1100
Orifice size (mm)	8
Working port size	G 1/4" - 1/4" NPT
Cv	1,11
kv	16,66

MODEL	
M	= Standard valves
X	= ATEX valves
CONNECTIONS	
5	= G1/4"
7	= 1/4" NPT
TEMPERATURE OPTION	
C	See order codes page



Weight 245 g
Minimum pilot pressure 2,5 bar
Maximum fittings torque 9 N/m



Pneumatic-Pneumatic

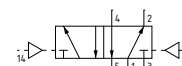
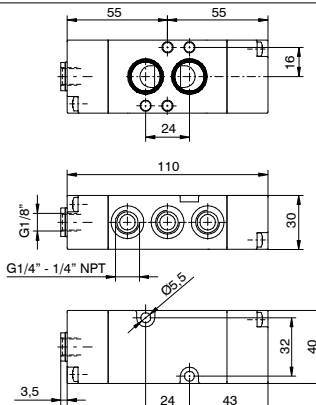
Ordering code: **M51C.52.00.18**

Operational characteristics	
Fluid	Filtered air. No lubrication needed, if applied it shall be continuous.
Maximum working pressure (bar)	10
Temperature °C	See order codes page
Flow rate at 6 bar with $\Delta p=1$ (NI/min)	1100
Orifice size (mm)	8
Working port size	G 1/4" - 1/4" NPT
Cv	1,11
kv	16,66

MODEL	
M	= Standard valves
X	= ATEX valves
CONNECTIONS	
5	= G1/4"
7	= 1/4" NPT
TEMPERATURE OPTION	
C	See order codes page



Weight 245 g
Minimum pilot pressure 2,5 bar
Maximum fittings torque 9 N/m



Pneumatic-Spring

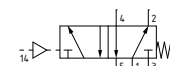
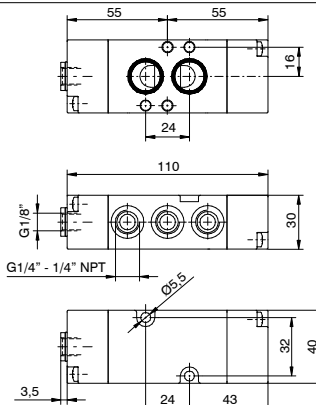
Ordering code: **M51C.52.00.19**

Operational characteristics	
Fluid	Filtered air. No lubrication needed, if applied it shall be continuous.
Maximum working pressure (bar)	10
Temperature °C	See order codes page
Flow rate at 6 bar with $\Delta p=1$ (NI/min)	1100
Orifice size (mm)	8
Working port size	G 1/4" - 1/4" NPT
Cv	1,11
kv	16,66

MODEL	
M	= Standard valves
X	= ATEX valves
CONNECTIONS	
5	= G1/4"
7	= 1/4" NPT
TEMPERATURE OPTION	
C	See order codes page



Weight 245 g
Minimum pilot pressure 2,5 bar
Maximum fittings torque 9 N/m

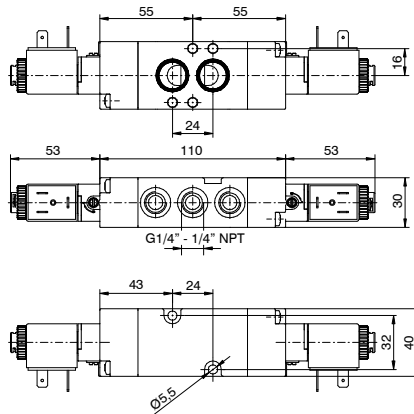


Solenoid-Solenoid

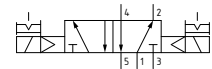
Ordering code: **M51C.52.00.35T**

Operational characteristics	
Fluid	Filtered air. No lubrication needed, if applied it shall be continuous.
Maximum working pressure (bar)	10
Temperature °C	See order codes page
Flow rate at 6 bar with $\Delta p=1$ (NI/min)	1100
Orifice size (mm)	8
Working port size	G 1/4" - 1/4" NPT
Cv	1,11
kv	16,66

M	MODEL
	= Standard valves
	X = ATEX valves
	CONNECTIONS
C	5 = G1/4"
	7 = 1/4" NPT
	VOLTAGE
T	See order codes page
	TEMPERATURE OPTION
O	See order codes page



Weight 415 g
Minimum pilot pressure 2,5 bar
Maximum fittings torque 9 N/m

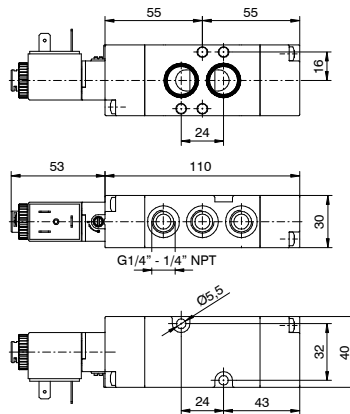


Solenoid-Differential

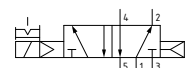
Ordering code: **M51C.52.00.36T**

Operational characteristics	
Fluid	Filtered air. No lubrication needed, if applied it shall be continuous.
Maximum working pressure (bar)	10
Temperature °C	See order codes page
Flow rate at 6 bar with $\Delta p=1$ (NI/min)	1100
Orifice size (mm)	8
Working port size	G 1/4" - 1/4" NPT
Cv	1,11
kv	16,66

M	MODEL
	= Standard valves
	X = ATEX valves
	CONNECTIONS
C	5 = G1/4"
	7 = 1/4" NPT
	VOLTAGE
T	See order codes page
	TEMPERATURE OPTION
O	See order codes page



Weight 330 g
Minimum pilot pressure 2,5 bar
Maximum fittings torque 9 N/m

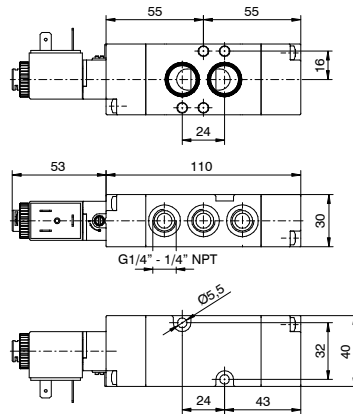


Solenoid-Spring

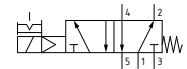
Ordering code: **M**51**C**.52.00.39**T****C**

Operational characteristics	
Fluid	Filtered air. No lubrication needed, if applied it shall be continuous.
Maximum working pressure (bar)	10
Temperature °C	See order codes page
Flow rate at 6 bar with $\Delta p=1$ (Nl/min)	1100
Orifice size (mm)	8
Working port size	G 1/4" - 1/4" NPT
Cv	1,11
kv	16,66

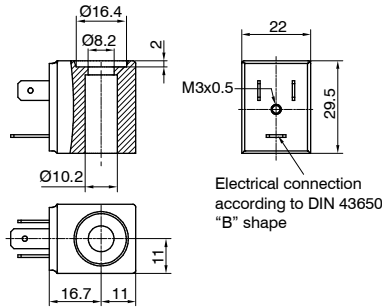
M	MODEL
	= Standard valves
	X = ATEX valves
	CONNECTIONS
C	5 = G1/4"
	7 = 1/4" NPT
	VOLTAGE
T	See order codes page
	TEMPERATURE OPTION
C	See order codes page



Weight 330 g
Minimum pilot pressure 2,5 bar
Maximum fittings torque 9 N/m



Solenoid coil 22 mm Ø10, type MB



Ordering code

MBT

VOLTAGE
4= 12 VDC
5= 24 VDC
9= 24 VDC (2W)
56= 24 VAC (50-60 Hz)
57= 110 VAC (50-60 Hz)
58= 230 VAC (50-60 Hz)



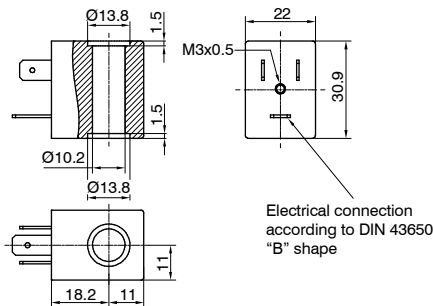
Operational characteristics

Class of insulation	Tolerance on voltage	IP Rating with connector	Electrical connection	Weight (g)
F	±10%	IP65	DIN43650 B industrial	53

Solenoid coil 22 mm Ø10, type XMB



CE II 3 G Ex ec IIC Gc
CE II 3 D Ex tc IIIC Dc IP65



Ordering code

XMBT

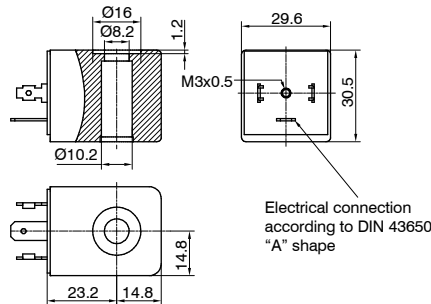
VOLTAGE
4= 12 VDC
5= 24 VDC
9= 24 VDC (50-60 Hz)
56= 24 VAC (50-60 Hz)
57= 110 VAC (50-60 Hz)
58= 230 VAC (50-60 Hz)



Operational characteristics

Class of insulation	Tolerance on voltage	IP Rating with connector	Electrical connection	Weight (g)
F	±10%	IP65	DIN43650 B industrial	54

Solenoid coil 30 mm Ø10, type MC



Ordering code

MCT

VOLTAGE
4= 12 VDC
5= 24 VDC
9= 24 VDC (2W)
56= 24 VAC (50-60 Hz)
57= 110 VAC (50-60 Hz)
58= 230 VAC (50-60 Hz)



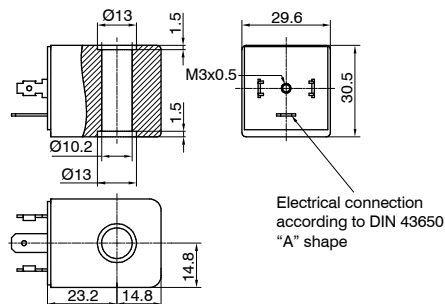
Operational characteristics

Class of insulation	Tolerance on voltage	IP Rating with connector	Electrical connection	Weight (g)
F	±10%	IP65	DIN43650 A	113

Solenoid coil 30 mm Ø10, type XMC



CE II 3 G Ex ec IIC Gc
CE II 3 D Ex tc IIIC Dc IP65



Ordering code

XMCT

VOLTAGE
4= 12 VDC
5= 24 VDC
9= 24 VDC (50-60 Hz)
56= 24 VAC (50-60 Hz)
57= 110 VAC (50-60 Hz)
58= 230 VAC (50-60 Hz)



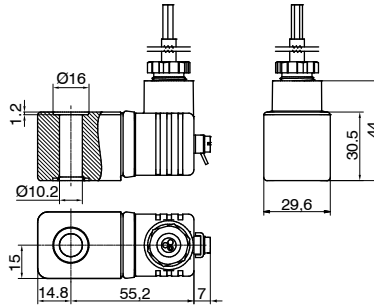
Operational characteristics

Class of insulation	Tolerance on voltage	IP Rating with connector	Electrical connection	Weight (g)
F	±10%	IP65	DIN43650 A	117

Solenoid coil 30 mm Ø10, type XME



CE II 2 G Ex mb IIC T4 Gb
CE II 2 D Ex mb IIIC T135°C Db IP65



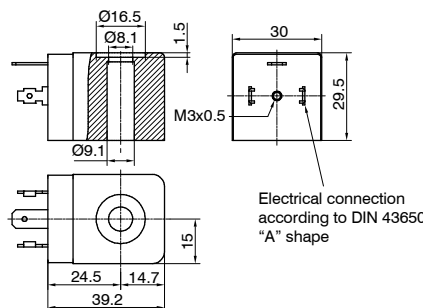
Ordering code	XME-3
VOLTAGE	5= 24 VDC 56= 24 VAC (50-60 Hz) 57= 110 VAC (50-60 Hz) 58= 230 VAC (50-60 Hz)

Operational characteristics				
Class of insulation	Tolerance on voltage	IP Rating with connector	Electrical connection	Weight (g)
H	±10%	IP65	Cavo 3 mt.	325

Solenoid coil 30 mm Ø9, type XMHB EX ia



CE II 2 G Ex ia IIB/IIC T6/T4 Ga



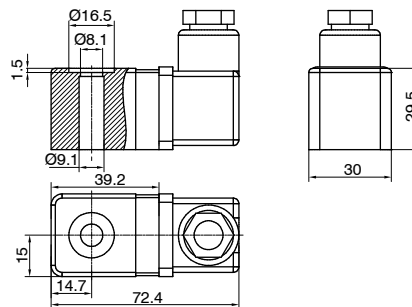
Ordering code	XMHB-1
VOLTAGE	4= 32 VDC T4 6= 32 VDC T6

Operational characteristics				
Class of insulation	Tolerance on voltage	IP Rating with connector	Electrical connection	Weight (g)
F	±10%	IP65	DIN43650 A	111

Solenoid coil 30 mm Ø9, type XMHC EX ia 32 VDC T6



CE II 2 G Ex ia IIB/IIC T6, T4 Ga
CE II 2 D Ex t IIIC T80°C, T130°C Db IP6



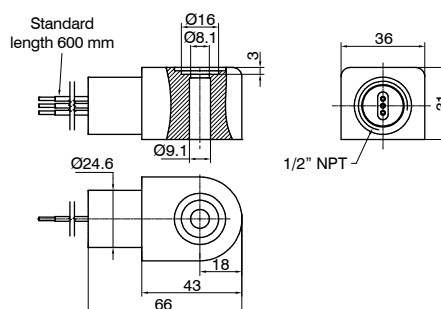
Ordering code	XMHC

Operational characteristics				
Class of insulation	Tolerance on voltage	IP Rating		Weight (g)
F	±10%	IP65		136

Solenoid coil 36 mm Ø9, type ML FM APPROVED



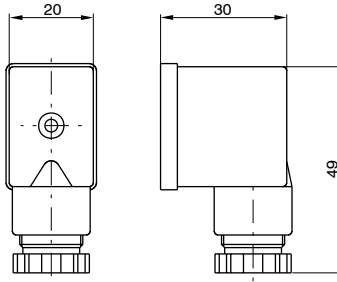
Class I, Division 2, Groups A, B, C, D, T4, Ta=60°C
Suitable for Class II, III, Division 2, Groups E, F, G, T4, Ta=60°C hazardous (classified) locations.



Ordering code	ML-1
VOLTAGE	4= 12 VDC 5= 24 VDC 39= 120 VAC 41= 240 VAC

Operational characteristics				
Class of insulation	Tolerance on voltage	IP Rating with connector	Electrical connection (mm)	Weight (g)
H	±10%	IP65	600	150

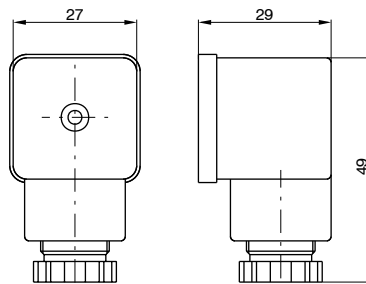
Connector 22 mm ATEX DIN43650 B industrial



Ordering code
X305.11.00

Weight 21 g

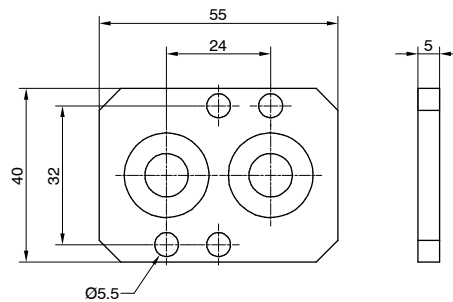
Connector 30 mm ATEX DIN43650 A



Ordering code
X300.11.00

Weight 25 g

30 mm solenoid base adaptor



Ordering code
514.05

Weight 25 g



PNEUMAX

PNEUMAX S.p.A.

Via Cascina Barbellina, 10

24050 Lurano (BG) - Italy

P. +39 035 41 92 777

process@pneumaxspa.com

www.pneumaxspa.com